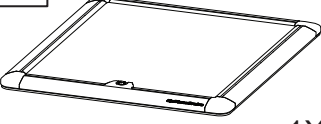
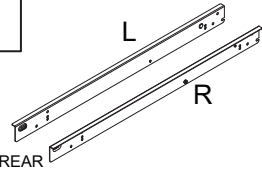
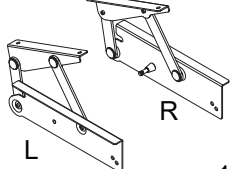
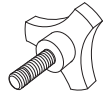
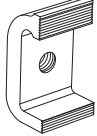

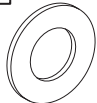
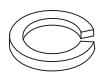
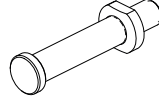
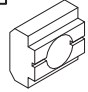
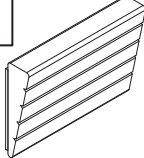
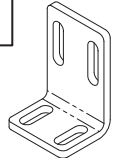
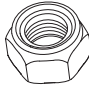



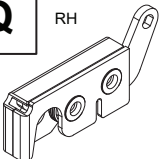
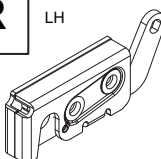



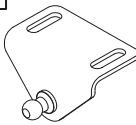
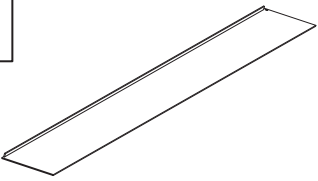
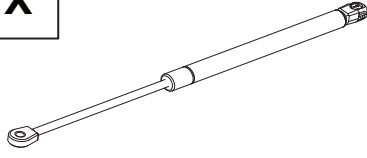


UpStoneEvolve

INSTALLATION INSTRUCTION MANUAL TOYOTA HILUX HILUX/VIGO EXTRA CABINE 2005/15 EVOS145S

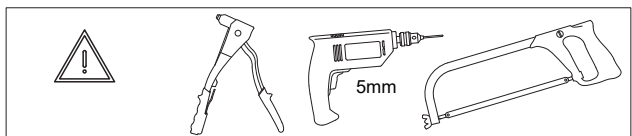
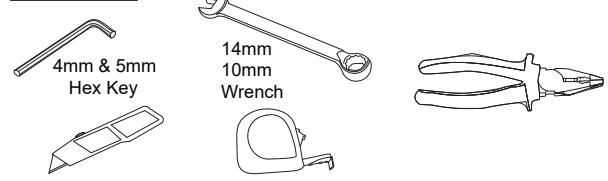
 COVER EVOS145S
 KIT145RLBF

A  1X	B  REAR 1X	C  L R 1X	D  2X		
E  Incl. kit 610 4X	F M8x25mm  Incl. kit 610 4X	G M8X16 Stainless Steel Washer  Incl. kit 607/610 10X	H M8 Stainless Steel Spring Washer  Incl. kit 610 6X	I  Incl. kit 610 2X	J  Incl. kit 610 2X
K  Incl. kit 610 4X	L  x2 Incl. kit 607 2X	M M8 Nylock  x8 Incl. kit 607 8X	N M6X16  x12 Incl. kit 607 12X	O M6X13 mm Zinc  x12 Incl. kit 607 12X	P M6 Stainless Steel Spring Washer M6X10  x8 Incl. kit 607 8X
Q RH  Incl. kit 607 1X	R LH  Incl. kit 607 1X	S M5 Cable Bolt, Washer & Dome Nut  Incl. kit 607 2X	T  Incl. kit 607 2X	U  2X	V  2X
W  1X	X Gas springs  2X				

Note 1: If at any stage of installation you find your sportlid to be an unacceptable fit please contact the manufacturer before continuing.

Note 2: If required, use Under Rail Bed Liner only. **NOT FOR USE WITH OVER RAIL BED LINER!**

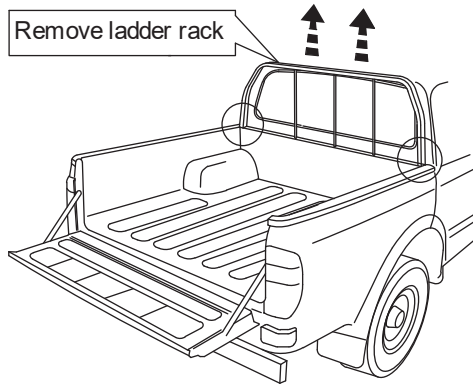
Tools Required:



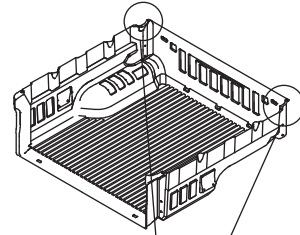
Fitting Kit Number	Product	Revision	Date	Page
EVOS145S	TOYOTA HILUX/VIGO	1	16-10-2024	1

1

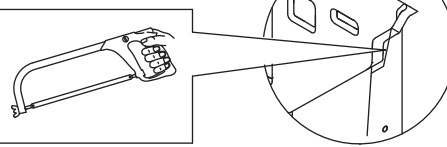
Remove ladder rack



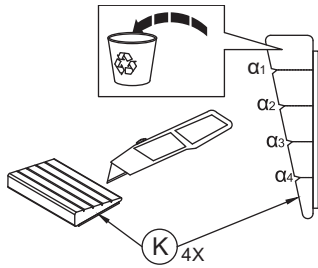
Note 2: If required, use Proform Under Rail Bed Liner only. Not for use with Over Rail Bed Liner.



Follow guide lines to trim liner in front corners.



2



Vehicle Model

alpha

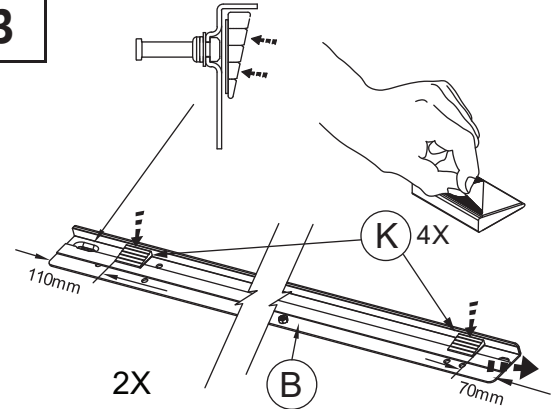
Toyota Hilux Double/ Extra Cab 2005 A-Deck N25S, N25T

1

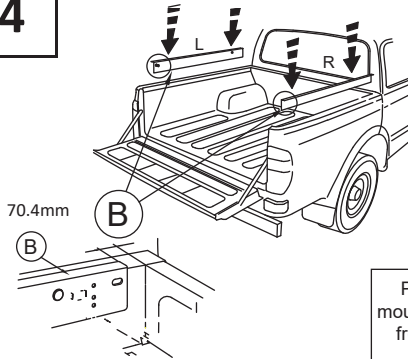
Toyota Hilux Double/ Extra Cab 2005 J-Deck

N/A - Do Not Fit

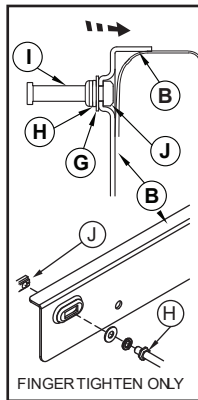
3



4



Place front of side mounting brackets back from inside corners of the cargo box



FINGERTIGHTEN ONLY



A-Deck

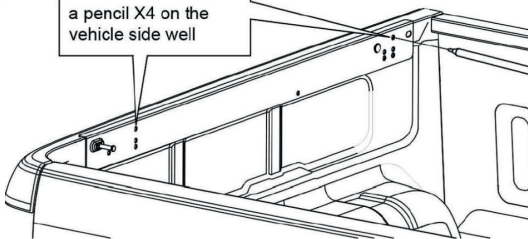
J-Deck
Hook Side

5



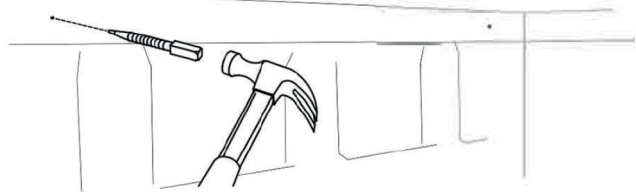
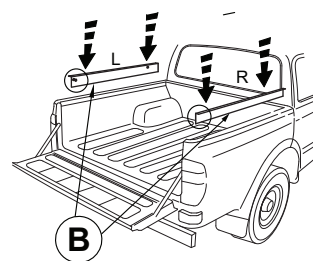
J-DECK ONLY

Mark centre holes with a pencil X4 on the vehicle side well



6

Remove side mounting brackets and mark hole positions with a hole punch (Not supplied) x 4



Fitting Kit Number

Product

Revision

Date

Page

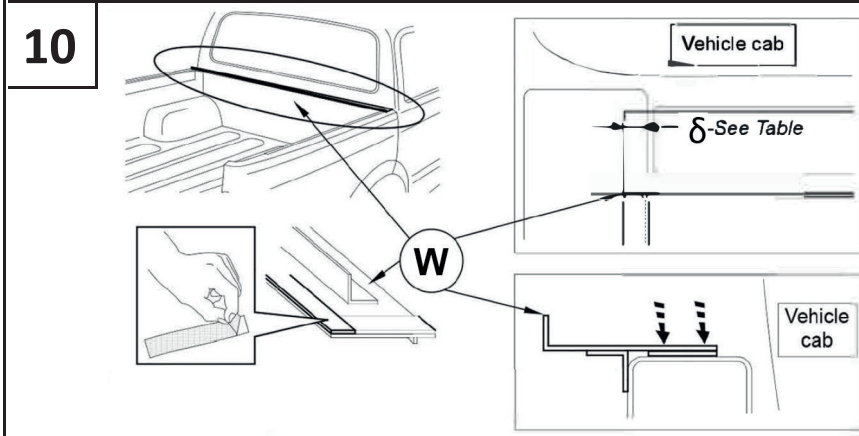
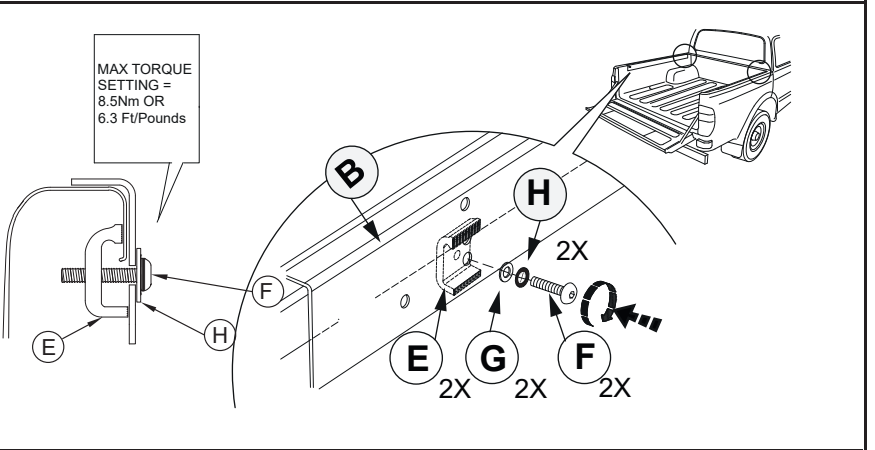
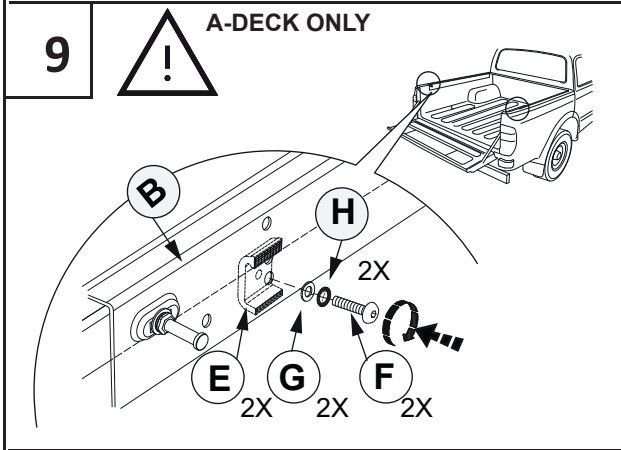
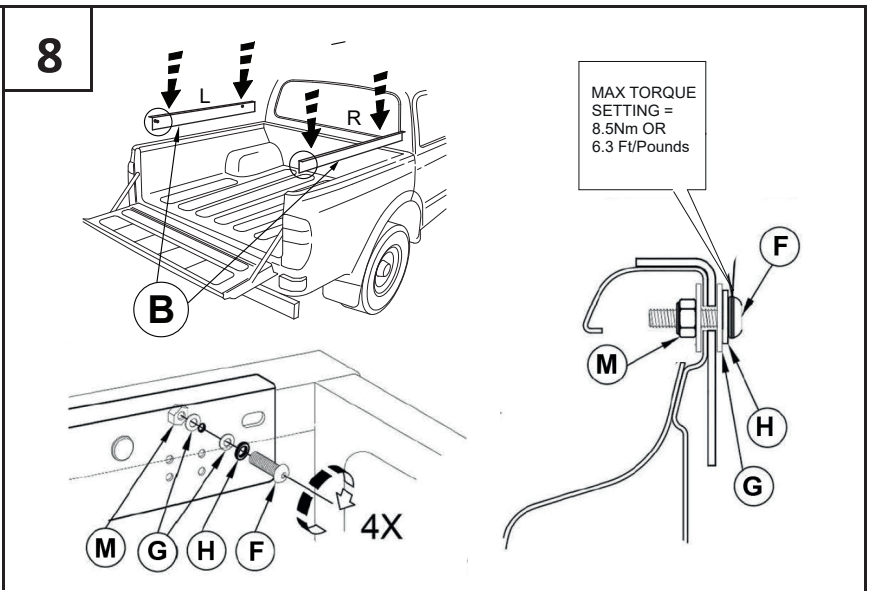
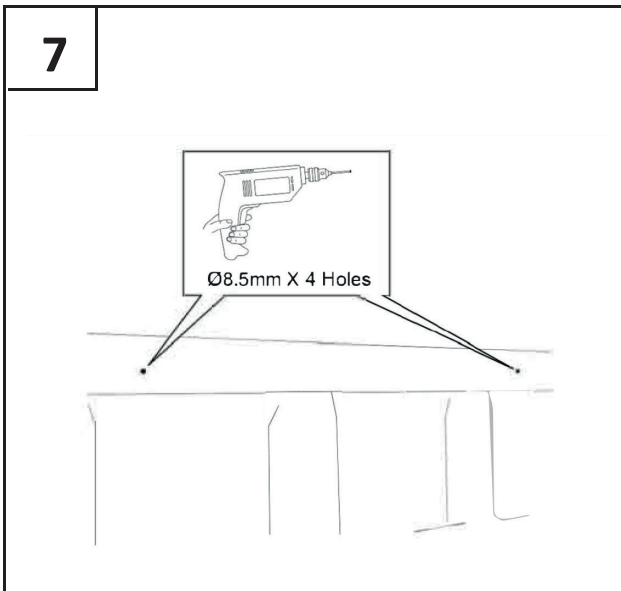
EV0S145S

TOYOTA HILUX/VIGO

1

16-10-2024

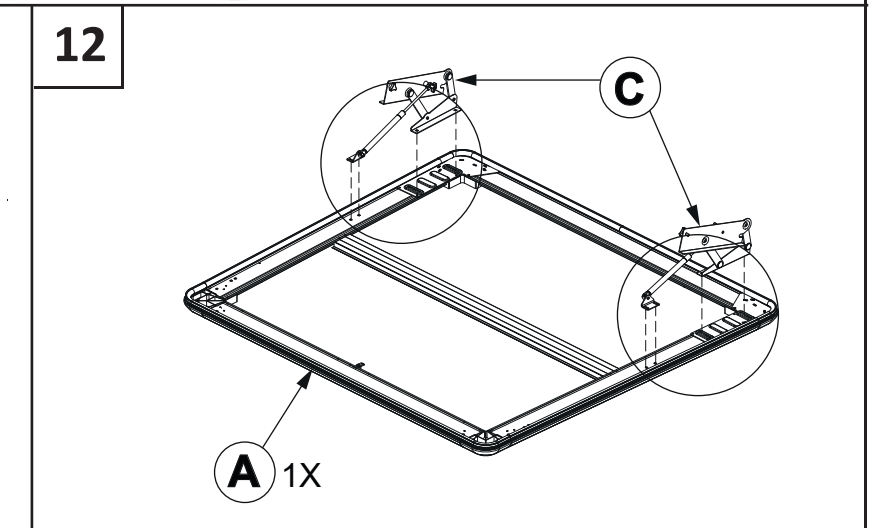
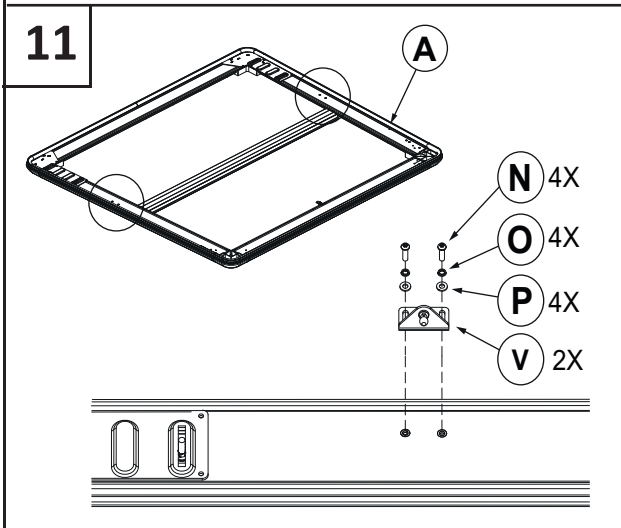
2



Vehicle Model	δ
Toyota Hi lux Double Cab 2005 A-Deck N25S, N25T	23mm
Toyota Hilux Double Cab 2005 J-Deck	16mm

!

DO NOT apply below 15°C.
Apply pressure to part. Adhesive is pressure activated.
allow 3hrs minimum to cure before installing lid.



13

MAX TORQUE SETTING = 8.5Nm OR 6.3 Ft/Pounds

Π - See Table
Θ - See Table

Vehicle Model	Π	Θ	
Toyota Hilux Double Cabine 2005 A-Deck N25S.N25T	31mm	31mm	-
Toyota Hilux Double Cabine 2005 JH-Deck	36mm	36mm	-

14

Front
Rear

15

MAX TORQUE SETTING = 8.5Nm OR 6.3 Ft/Pounds

LEFT

15

MAX TORQUE SETTING = 8.5Nm OR 6.3 Ft/Pounds

RIGHT

16

17

T 2X

18

18

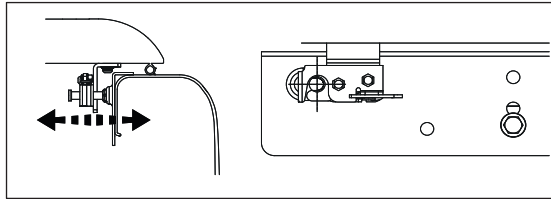
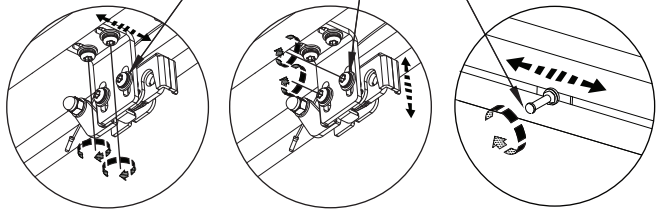
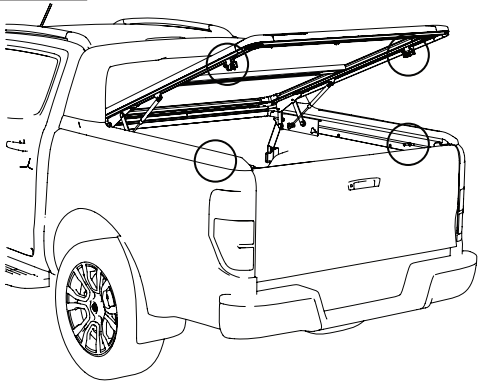
Slide lid mounting bracket as far forward as possible onto the locator.

D 2X

Fitting Kit Number	Product	Revision	Date	Page
EV0S145S	TOYOTA HILUX/VIGO	1	16-10-2024	4

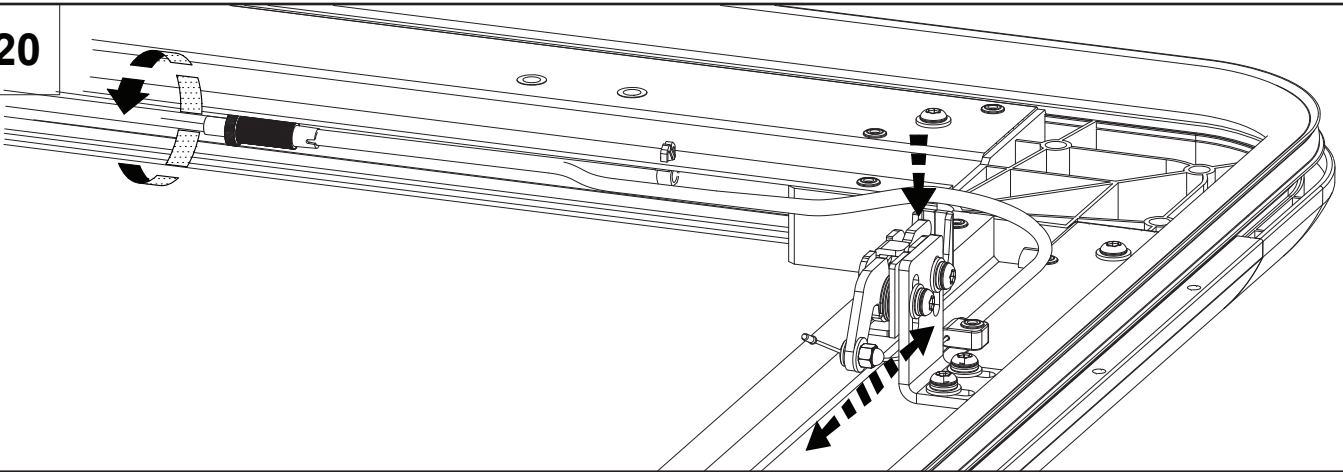
19

MAX TORQUE SETTING = 8.5Nm OR 6.3 Ft/Pounds



Adjust latch bracket, latch height and pin location to align pin with centre of latch. Adjust cable tension to achieve correct latching. **IMPORTANT!** : Ensure seal contacts vehicle in all areas

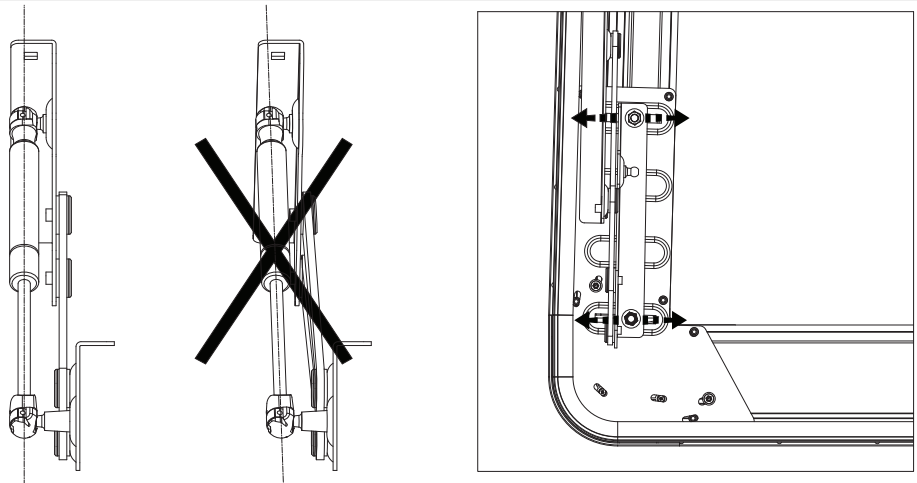
20



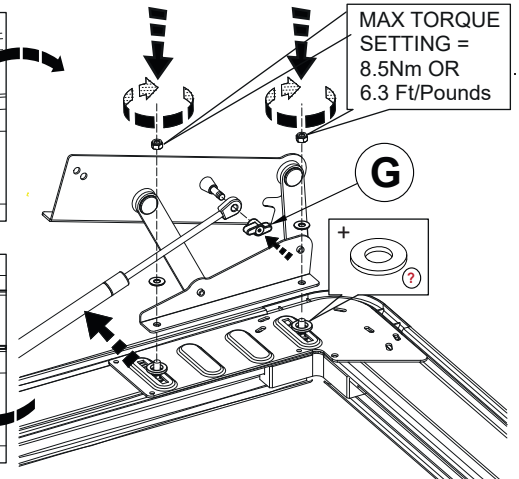
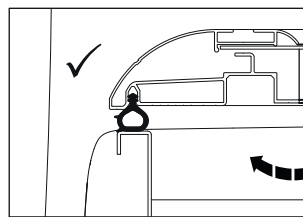
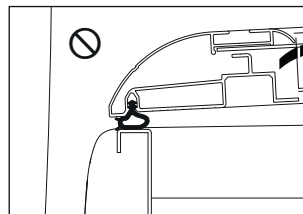
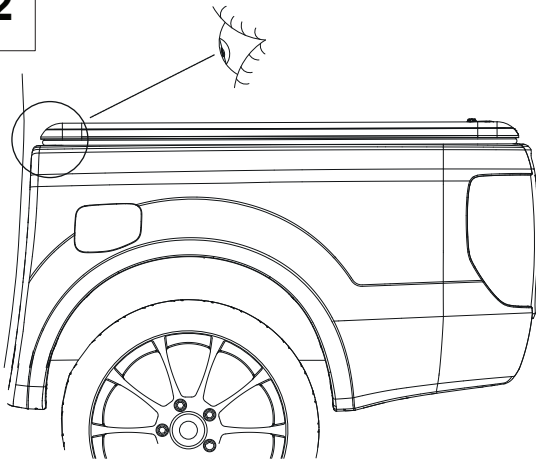
21



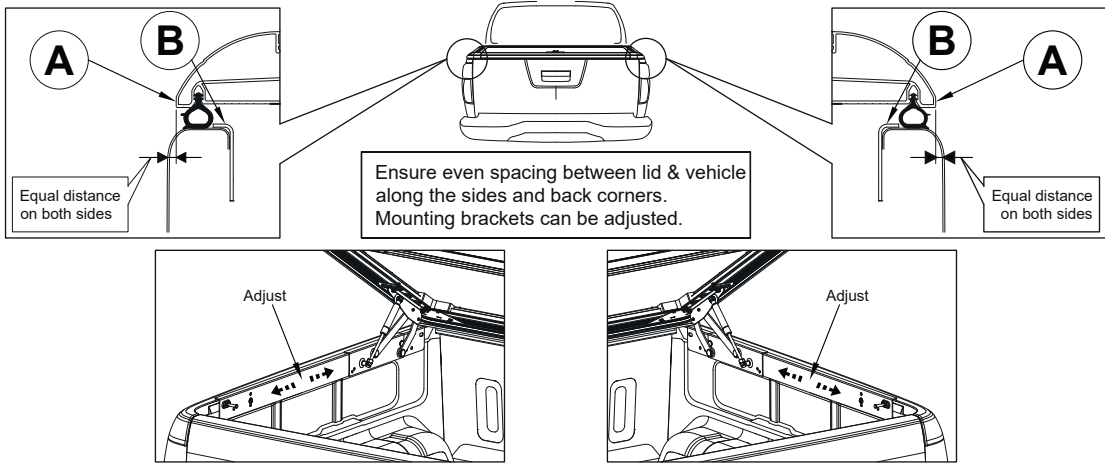
Insure hinge is not twisted. Adjust connection to lid if nessessary.



22



Fitting Kit Number	Product	Revision	Date	Page
EVOS145S	TOYOTA HILUX/VIGO	1	16-10-2024	5



Fitting Kit Number	Product	Revision	Date	Page
EV0S145S	TOYOTA HILUX/VIGO	1	16-10-2024	6

UpStoneEvolve



CAUTION!

- NEVER allow people or animals under the closed cover
- Do not place unsealed solvents or chemicals under the cover
- Do not stand or place heavy objects on the cover
- Do not open lid when under load.
- Close the cover before operating the vehicle
- Do not allow oil, solvents or chemicals to contact the cover
- Clean only with a mild detergent and water solution

After installation carefully and thoroughly clean all debris from the inside of the cargo box.
Retain these instructions for future reference

UpStoneEvolve

651, rue Henri Laugier.

06600 ANTIBES.

<http://www.upstone.eu> - info@upstone.fr