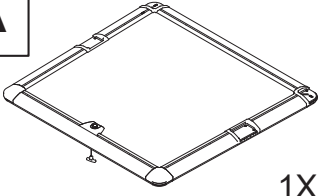
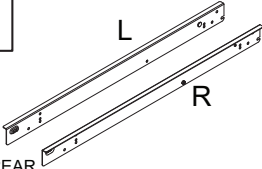
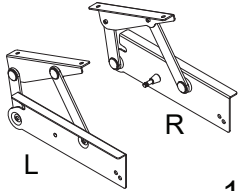
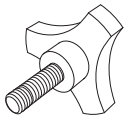
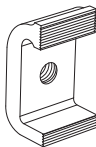
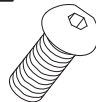

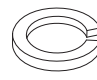
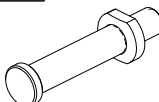
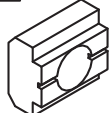
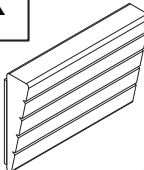
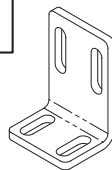
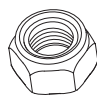


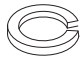
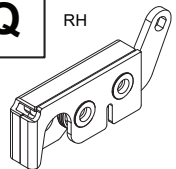
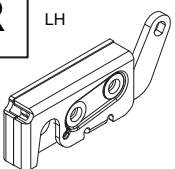



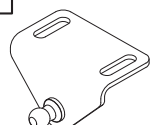
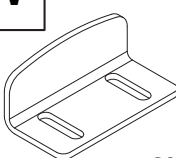
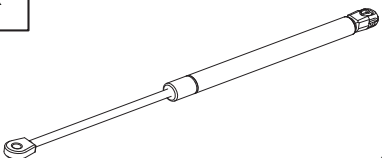
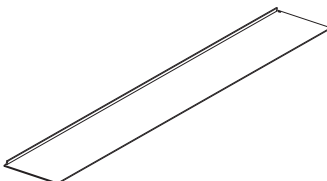
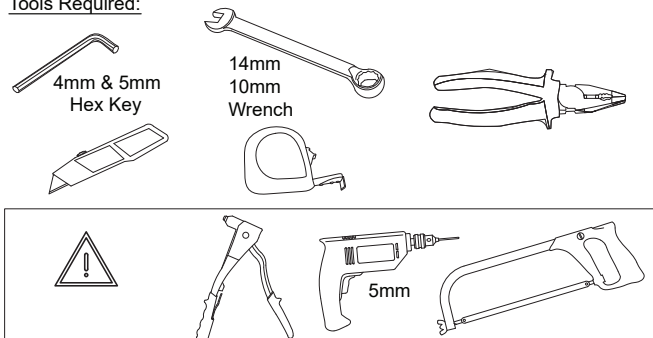


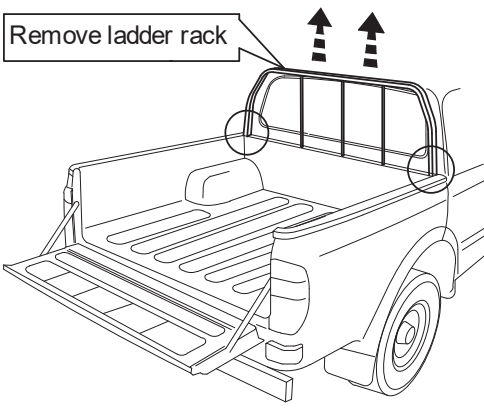
UpStoneEvolve

INSTALLATION INSTRUCTION MANUAL FORD RANGER SUPER CABINE 2012/2023 EVOSR350S

■ COVER EVOSR350S
■ KIT350RLBF

A  1X	B  REAR 1X	C  L R 1X	D  2X		
E  4X	F M8x25mm  4X	G M8X16 Stainless Steel Washer  10X	H M8 Stainless Steel Spring Washer  2X	I  2X	J  2X
K  4X	L  2X	M M8 Nylock  4X	N M6X18  8X	O M6X13 mm Zinc  8X	P M6 Stainless Steel Spring Washer  8X
Q RH  1X	R LH  1X	S M5 Cable Bolt, Washer & Dome Nut  2X	T  2X	U  2X	V  2X
W  2X	X Gas springs  1X	Y  1X			
<p>Note 1: If at any stage of installation you find your sportlid to be an unacceptable fit please contact the manufacturer before continuing.</p> <p>Note 2: If required, use Under Rail Bed Liner only. NOT FOR USE WITH OVER RAIL BED LINER!</p> <p>Tools Required:</p> 					

1

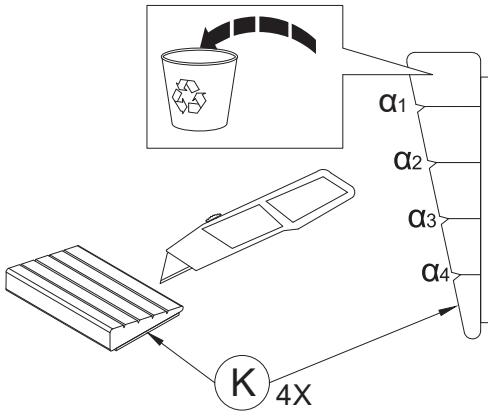


Note 2: If required, use Proform Under Rail Bed Liner only. Not for use with Over Rail Bed Liner.

Follow guide lines to trim liner in front corners.

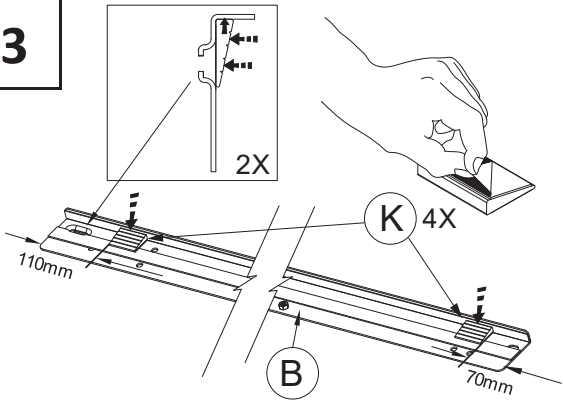


2

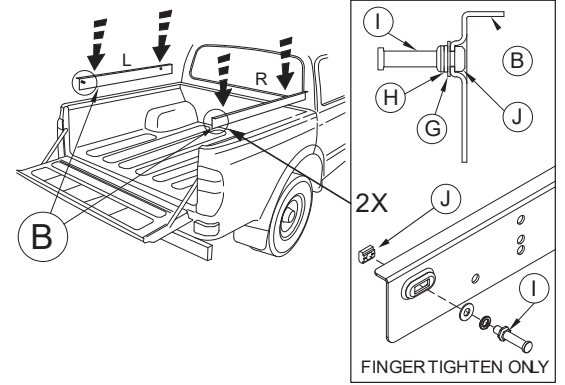


Vehicle Model	α
Ford Ranger T6 Double et Super Cabine 2012+ 2AB	2

3



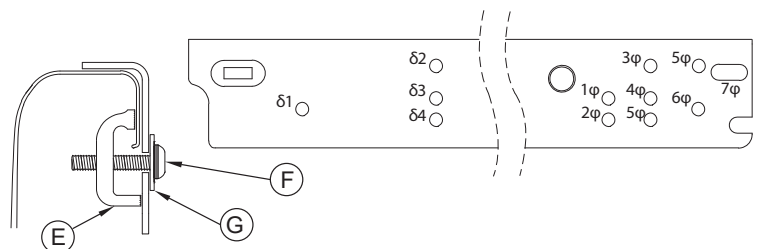
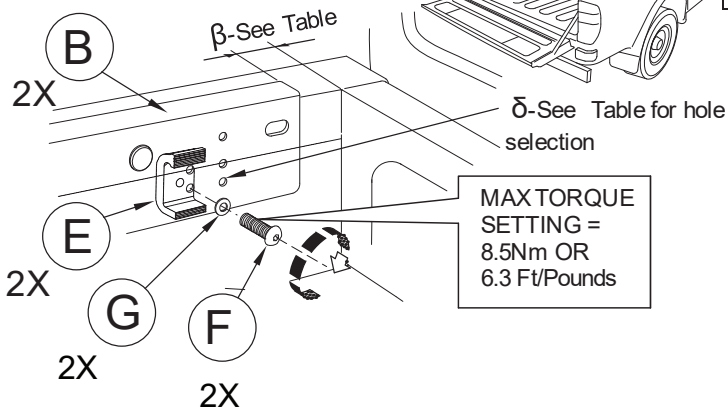
4



5

Place front of side mounting brackets back from inside corners of the cargo box - See table for measurement

Vehicle Model	β	δ	φ
Ford Ranger T6 Double et Super Cabine 2012+ 2AB	72.4 mm	4	3



Fitting Kit Number

Product

Revision

Date

Page

EVOSR350S

FORD RANGER

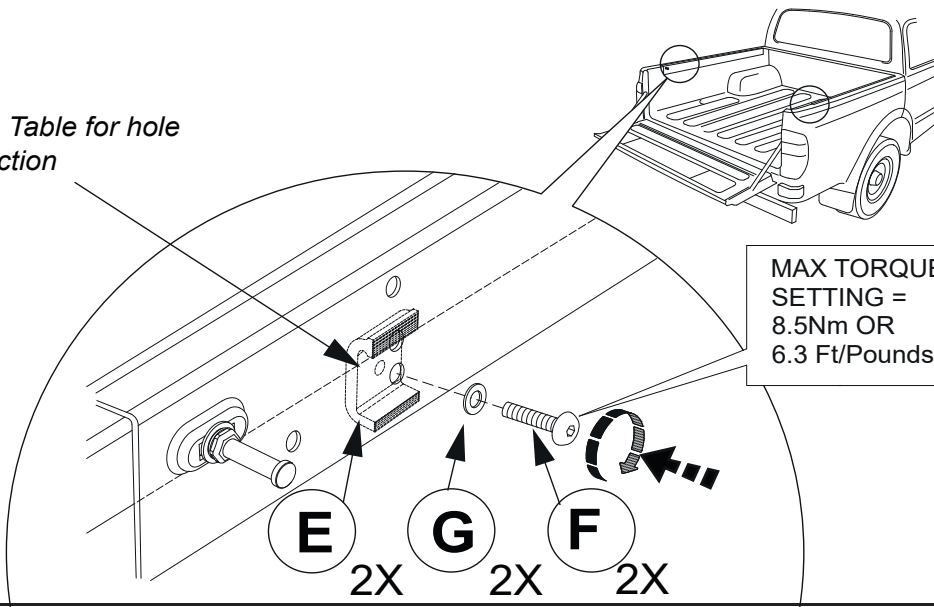
1

22.07.2024

2

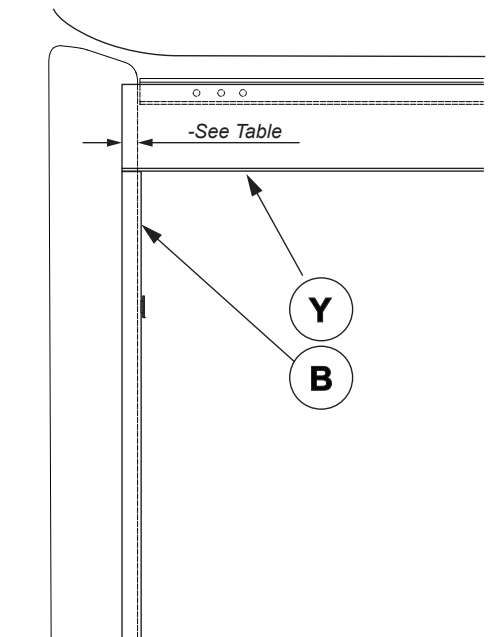
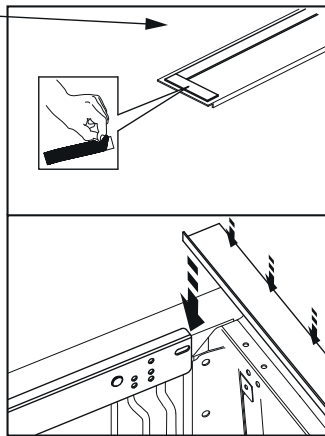
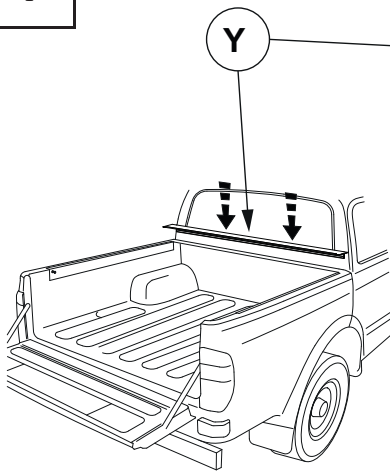
6

δ - See Table for hole selection



MAX TORQUE
SETTING =
8.5Nm OR
6.3 Ft/Pounds

7

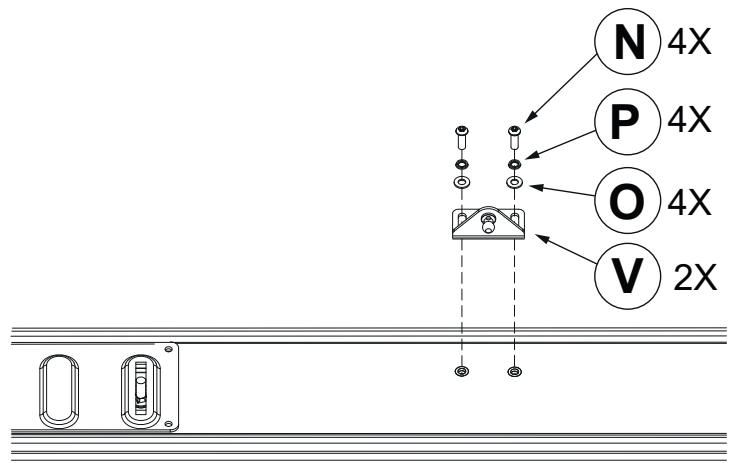
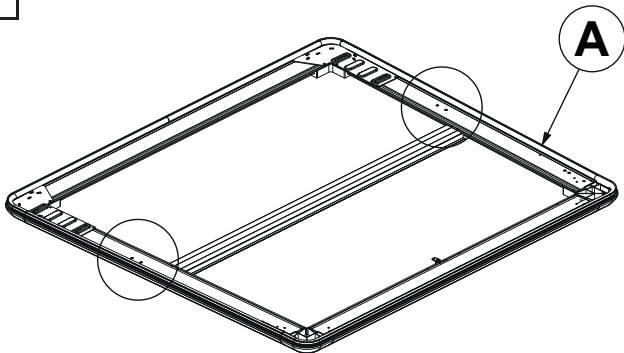


Vehicle Model	§
Ford Ranger T6 Double et Super Cabine 2012+ 2AB	37.5 mm



DO NOT apply below 15°C.
Apply pressure to part. Adhesive is pressure activated.
Allow 3hrs minimum to cure before installing lid

8



Fitting Kit Number

Product

Revision

Date

Page

EVOSR350S

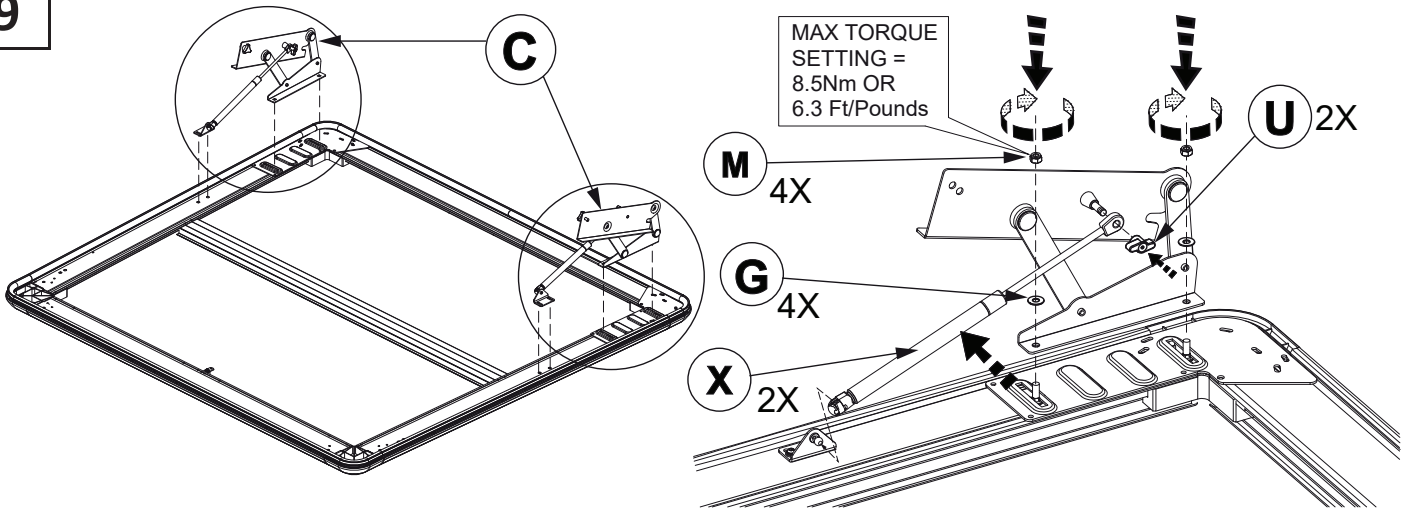
FORD RANGER

1

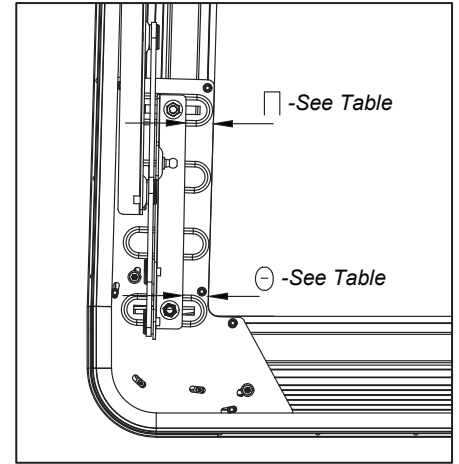
22.07.2024

3

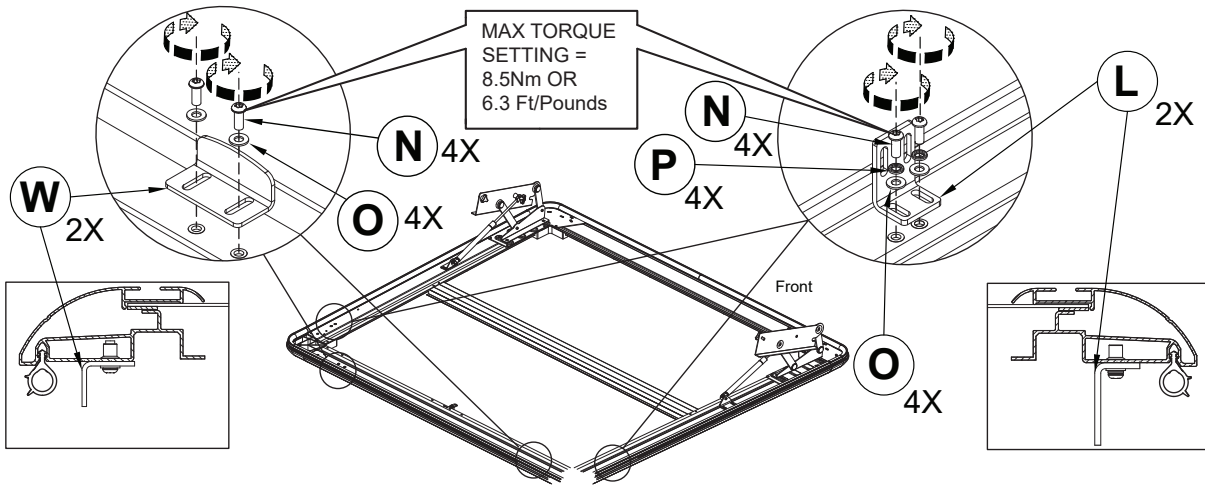
9



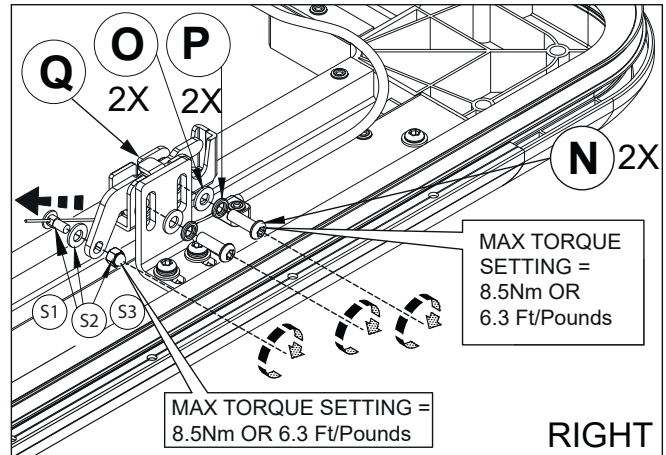
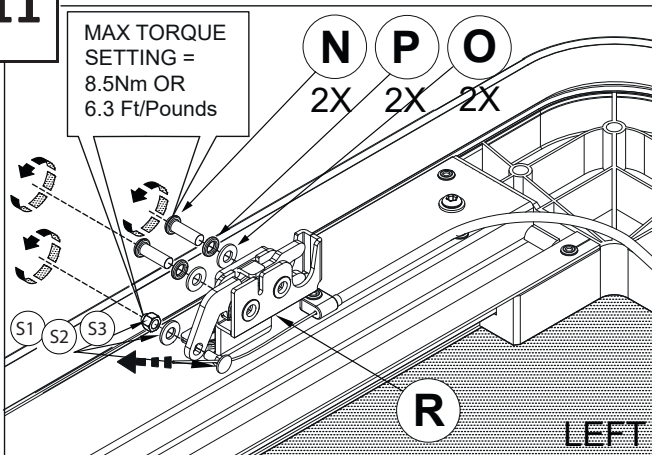
Vehicle Model	Π	Θ	Σ
Ford Ranger T6 Double et Super Cabine 2012+ 2AB	10mm	10mm	2QTY



10



11



Fitting Kit Number

Product

Revision

Date

Page

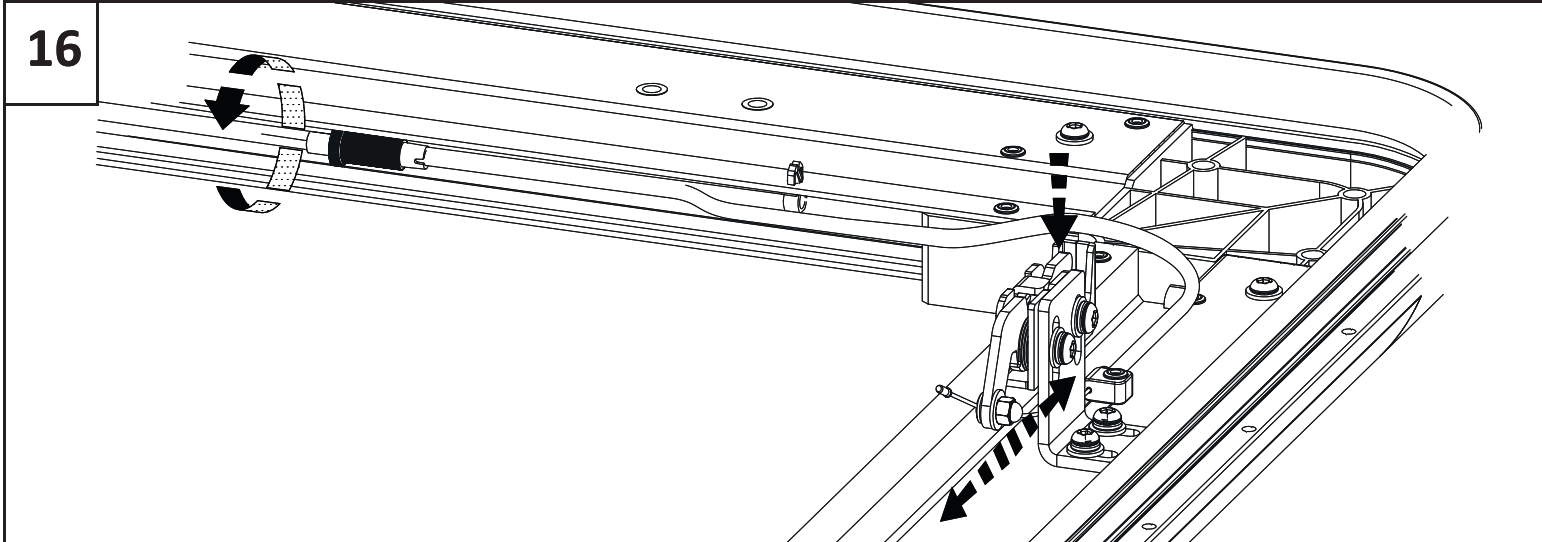
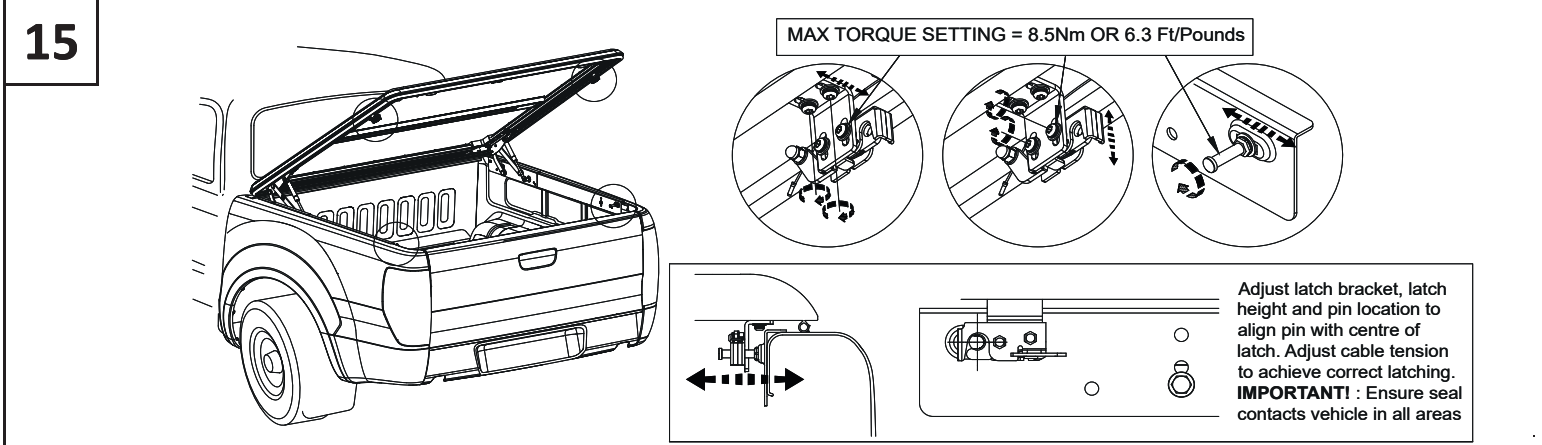
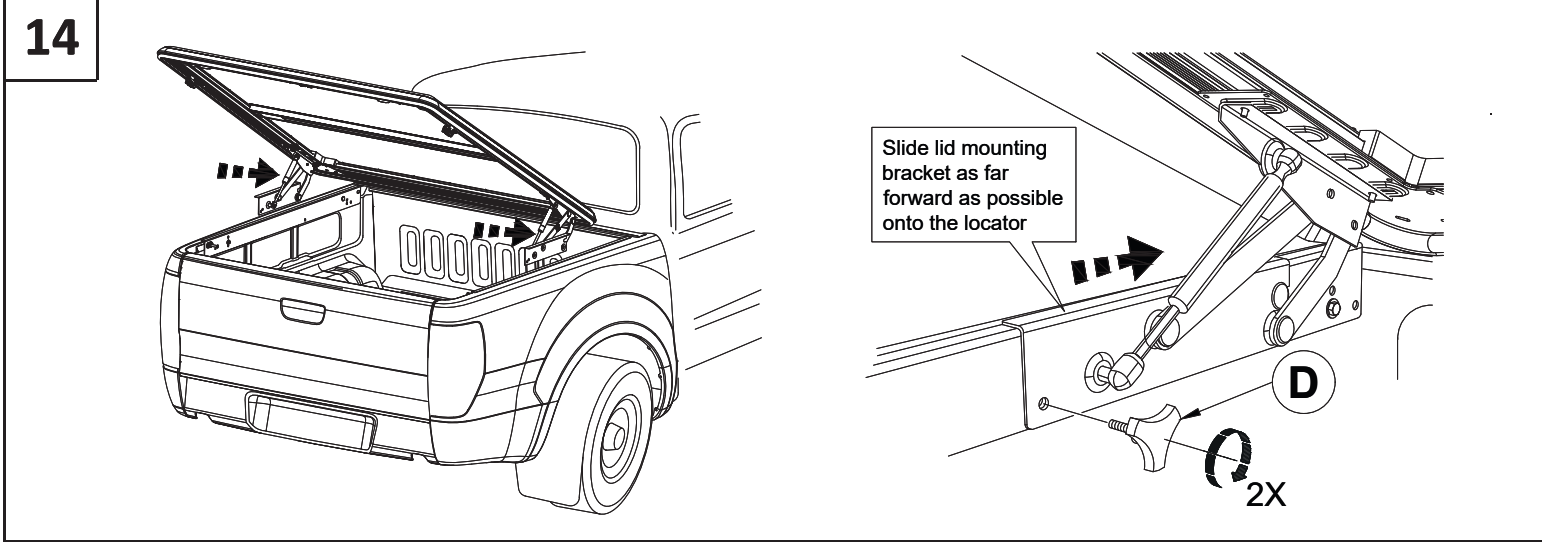
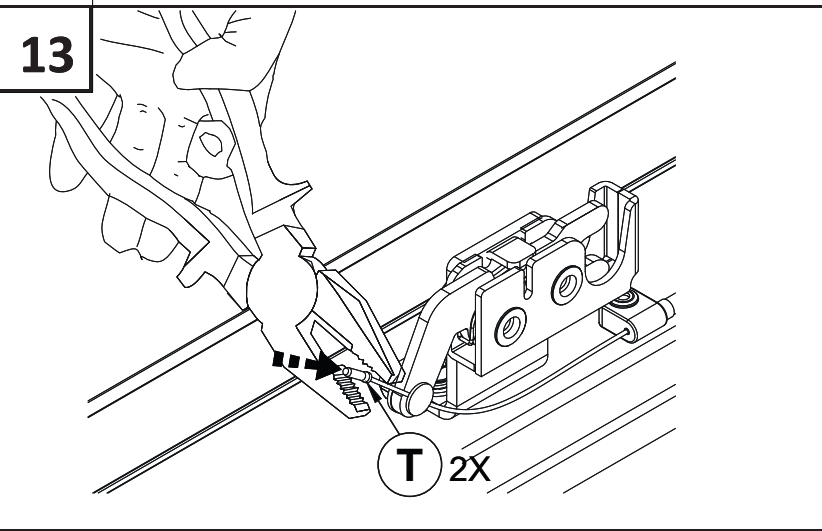
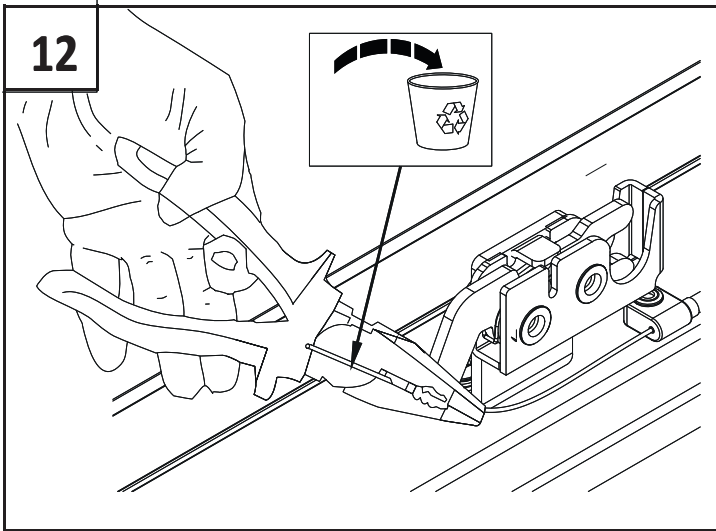
EVOSR350S

FORD RANGER

1


22.07.2024

4

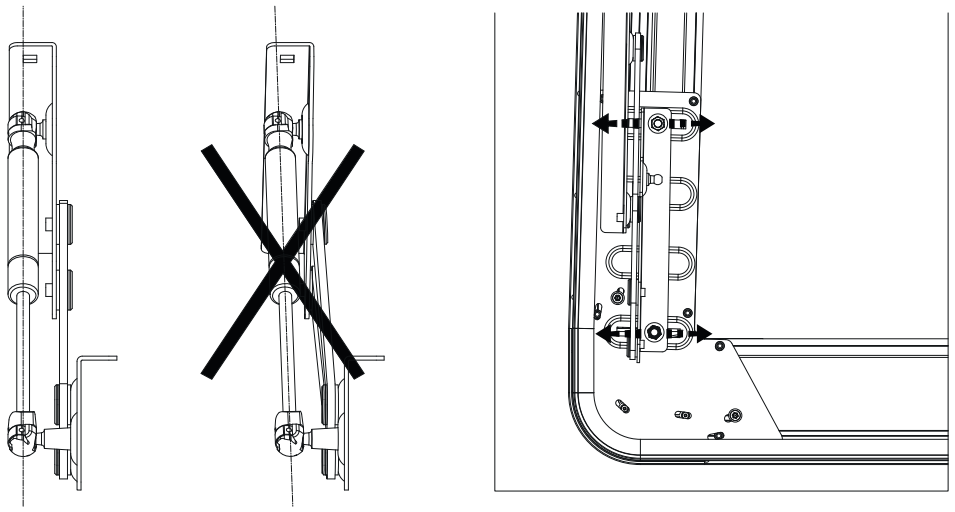


Fitting Kit Number	Product	Revision	Date	Page
EVOSR350S	FORD RANGER	1	22.07.2024	5

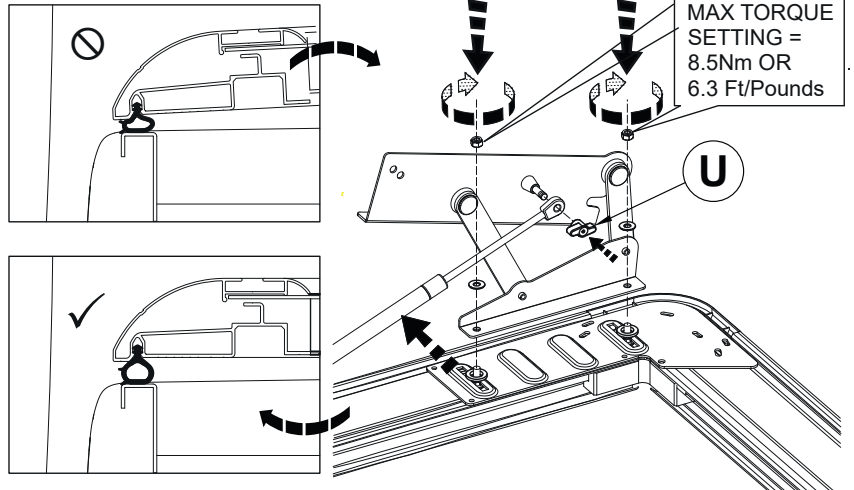
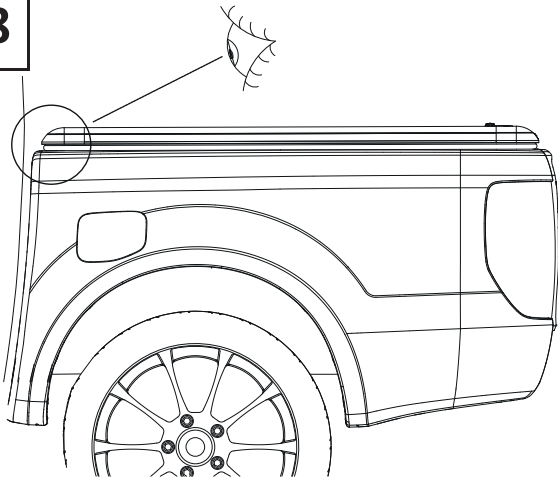
17



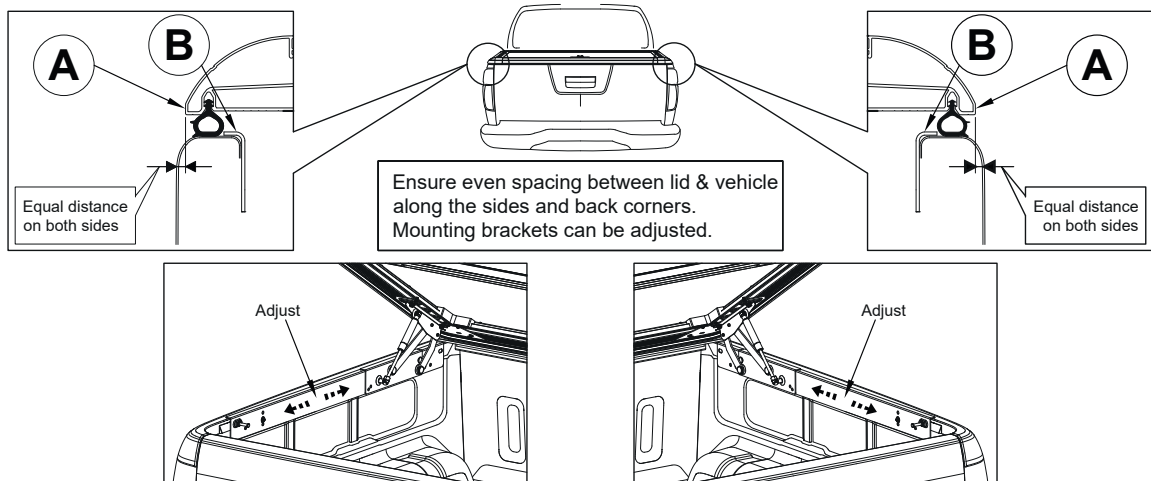
Insure hinge is not twisted.
Adjust connection to lid if nessessary.



18



19



*UpStone***Evolve**



CAUTION!

- NEVER allow people or animals under the closed cover
- Do not place unsealed solvents or chemicals under the cover
- Do not stand or place heavy objects on the cover
- Do not open lid when under load.
- Close the cover before operating the vehicle
- Do not allow oil, solvents or chemicals to contact the cover
- Clean only with a mild detergent and water solution

After installation carefully and thoroughly clean all debris from the inside of the cargo box.
Retain these instructions for future reference

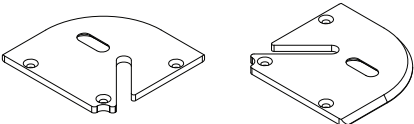
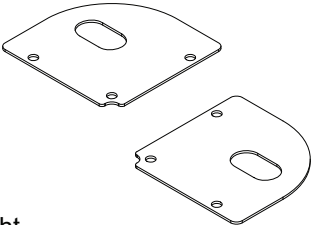
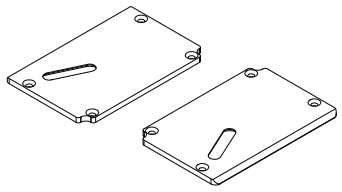
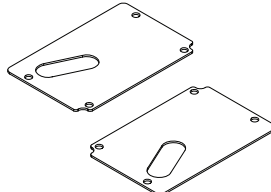
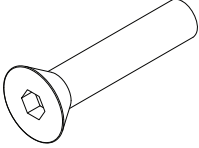
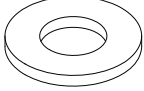
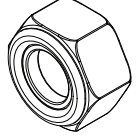
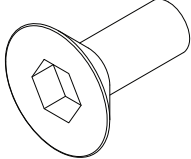
UpStoneEvolve

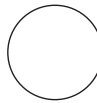
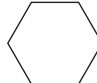
INSTALLATION INSTRUCTIONS

FORD RANGER 2012+

SUPER CABINE

EVOSR350S

<p>A</p>  <p>Left + Right</p>	<p>B</p>  <p>2X Left + Right</p>	<p>C</p>  <p>2X Left + Right</p>
<p>D</p>  <p>Left + Right</p>	<p>E</p>  <p>14X M6X25mm</p>	<p>F</p>  <p>14X M6X13mm</p>
<p>G</p>  <p>M6</p>	<p>H</p>  <p>4X M8x20mm</p>	

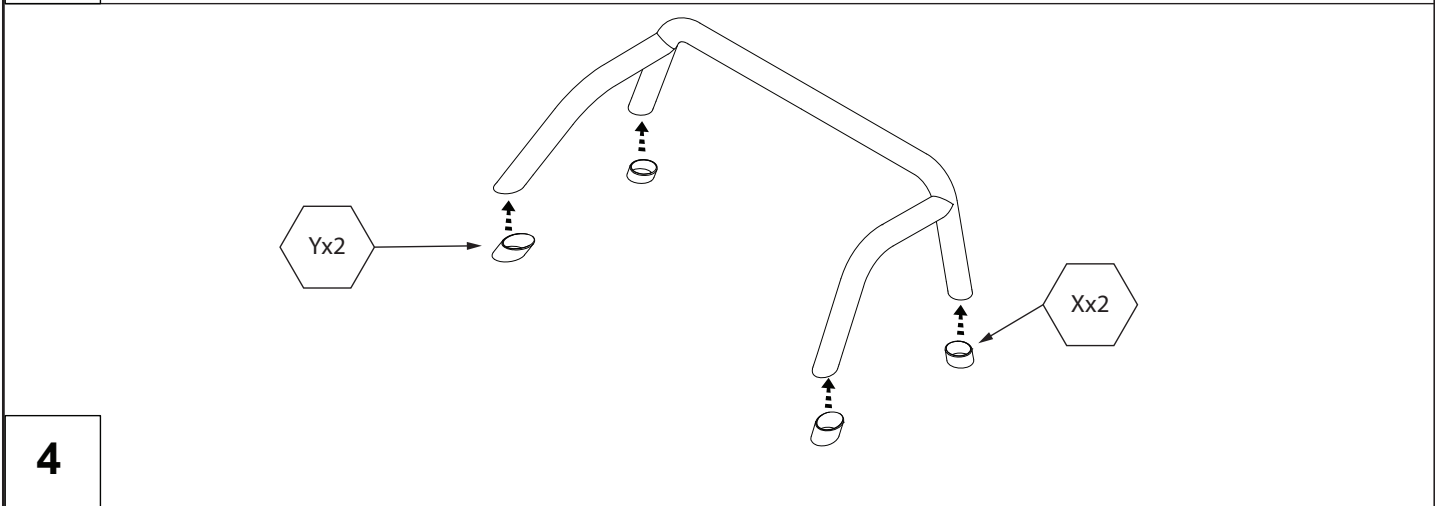
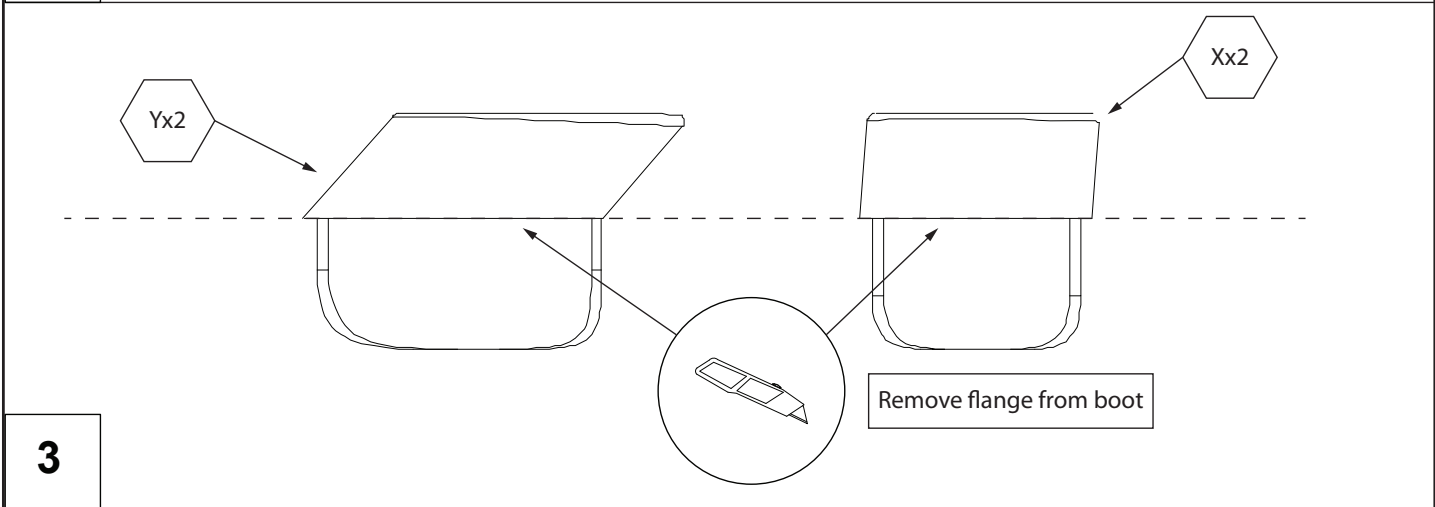
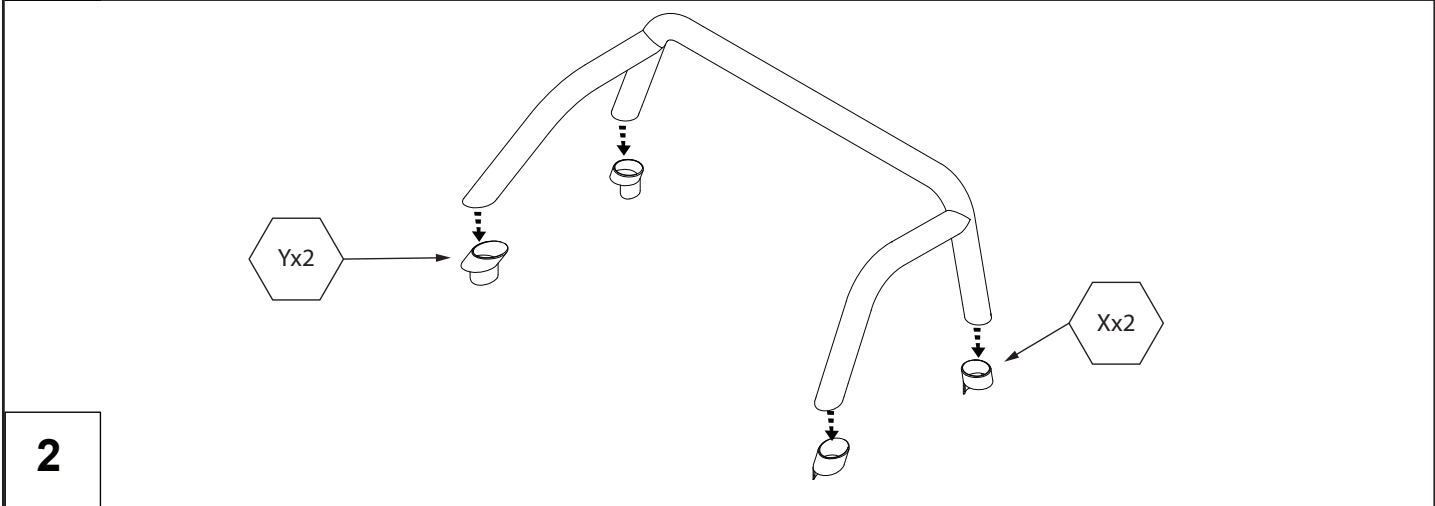
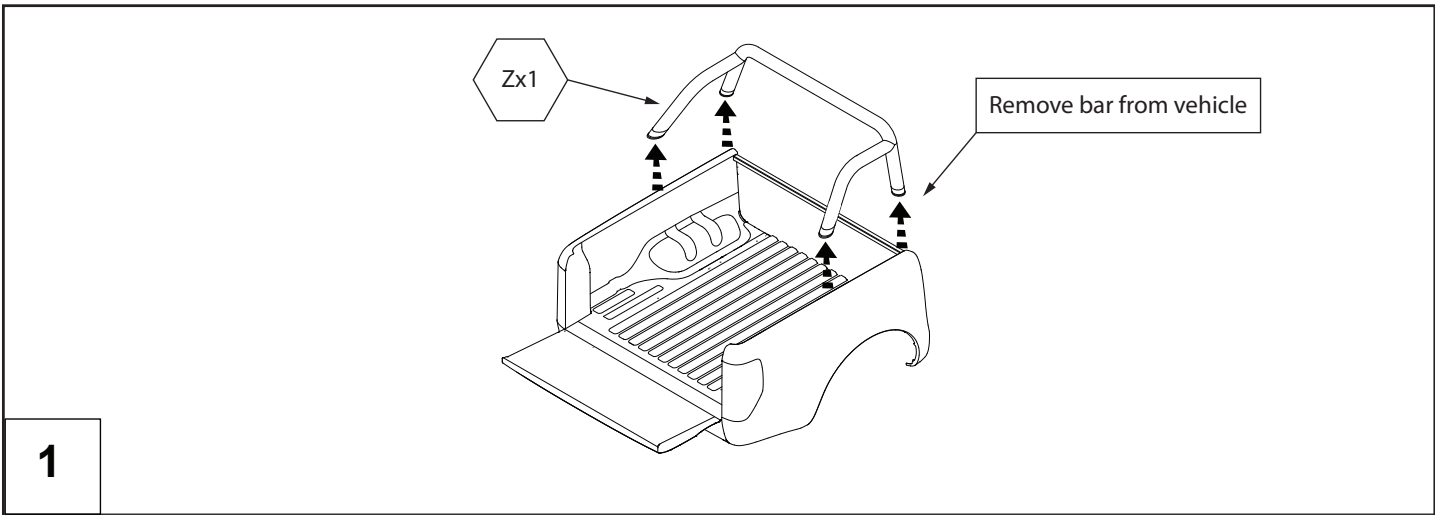
-  - New component
-  - Existing component

Note 1: If at any stage of installation you find your sportlid to be an unacceptable fit please contact the manufacturer before continuing.

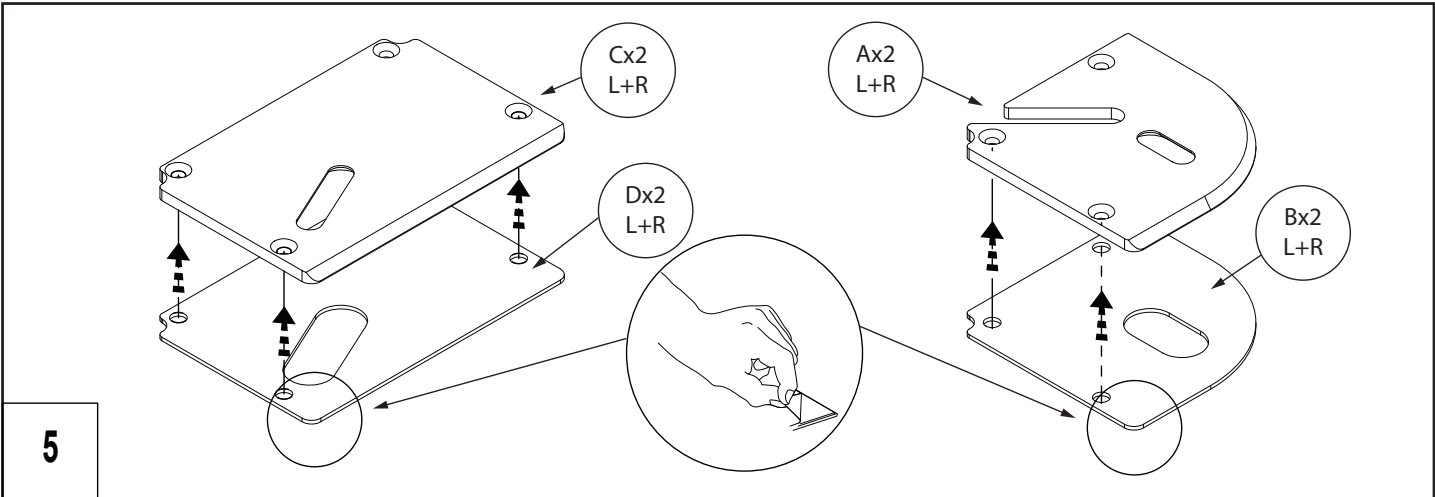
Note 2: This kit is only applicable to the **Ford Ranger 11+ DC/XC** OE bar compatible Upstone Evolve lids.

Tools Required

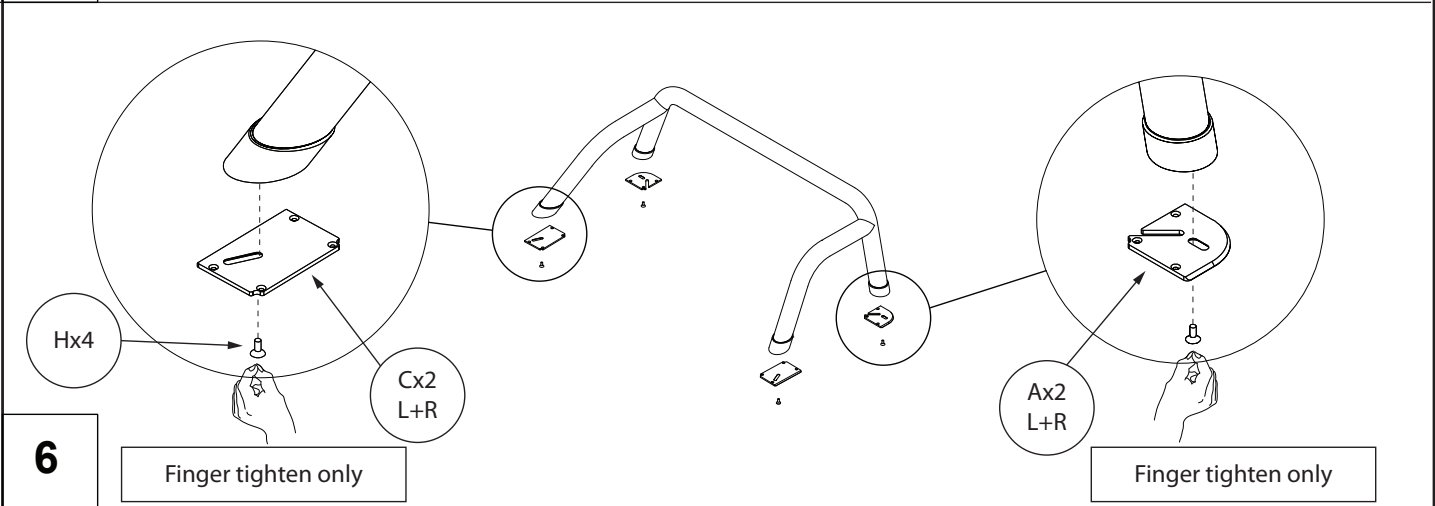




Fitting Kit Number	Product	Revision	Date	Page
EVOSR350S	FORD RANGER	1	22.07.2024	9



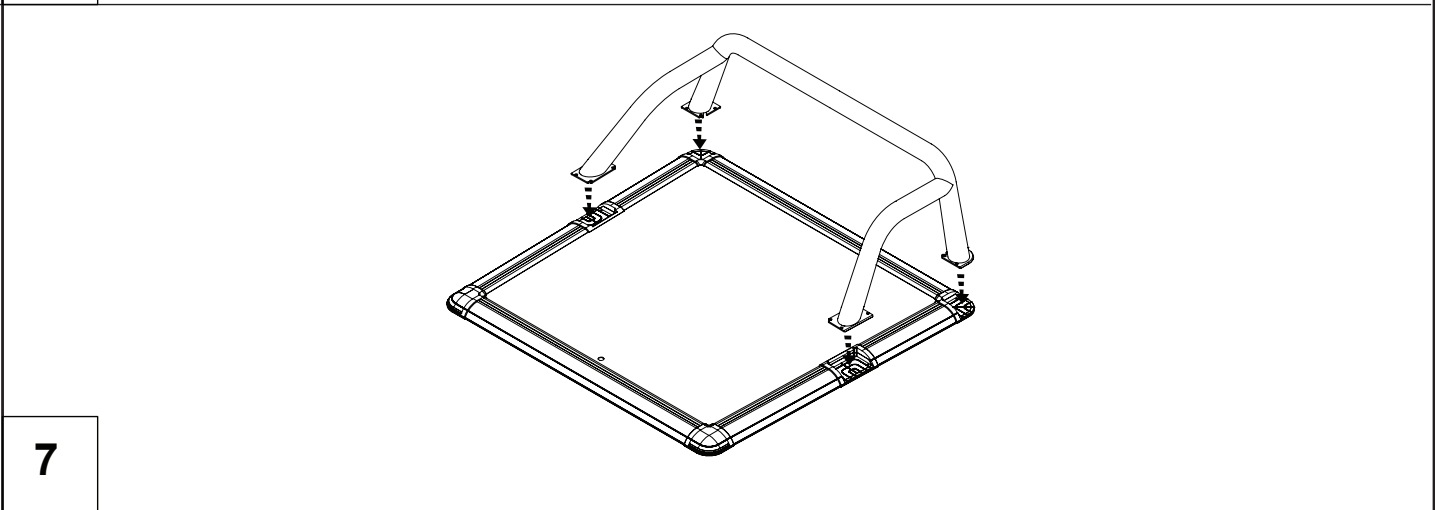
5



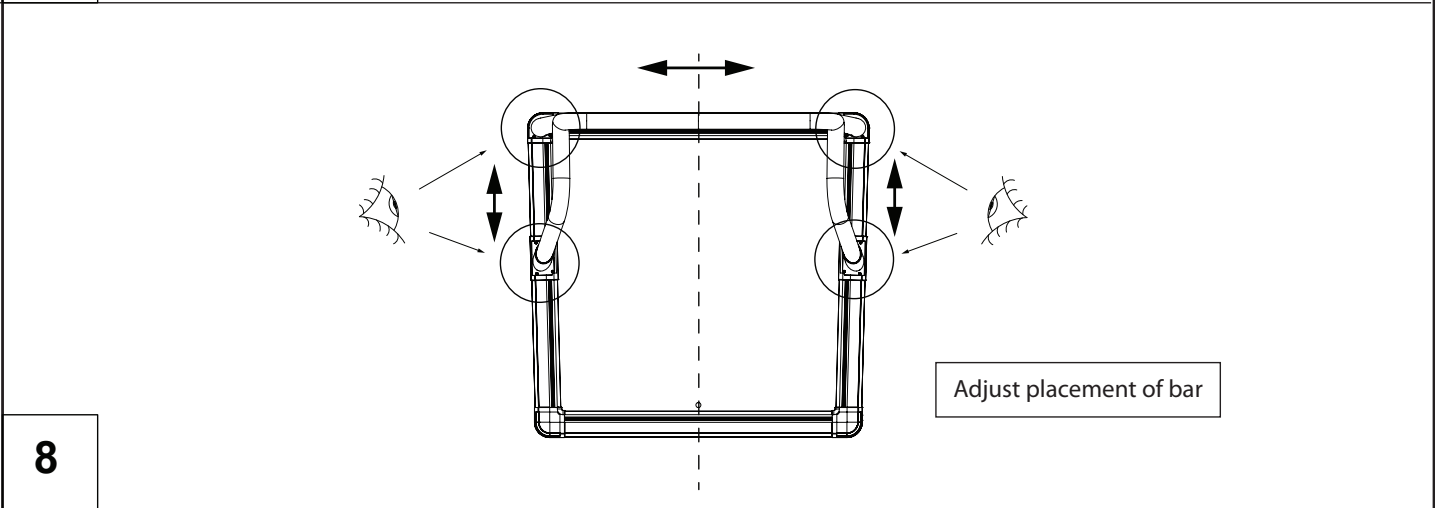
6

Finger tighten only

Finger tighten only



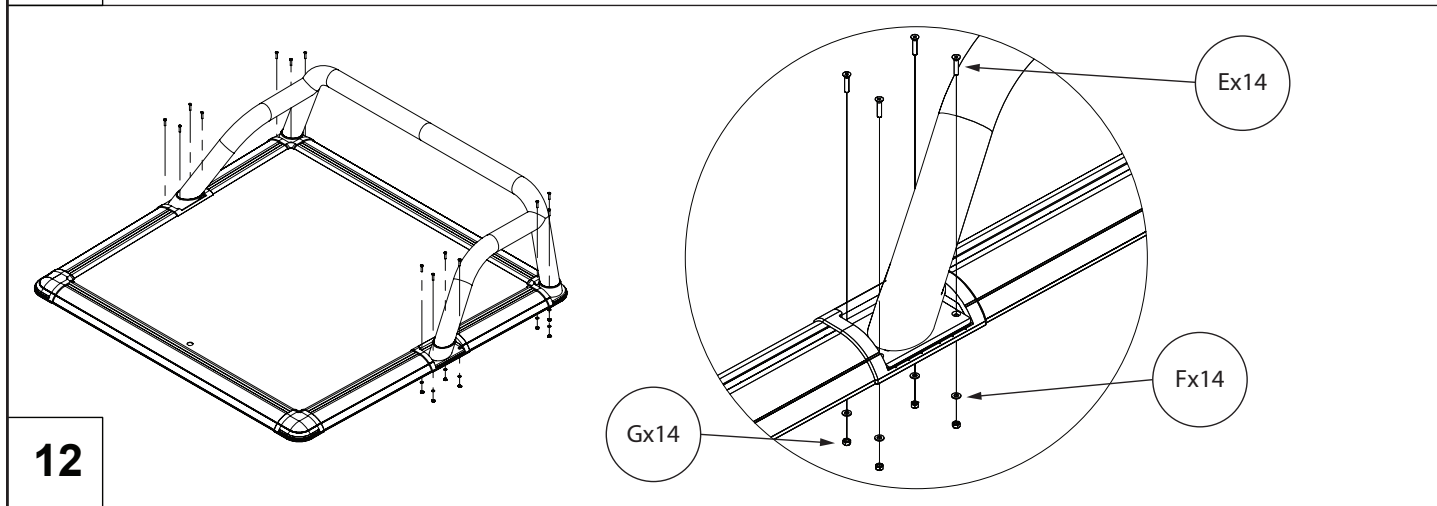
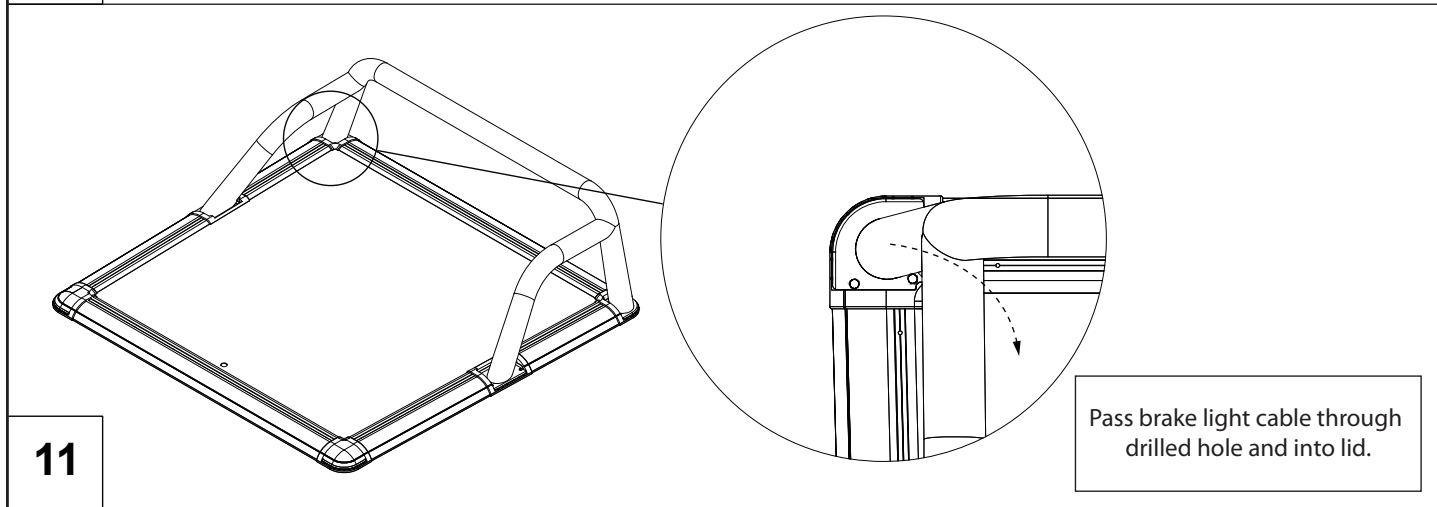
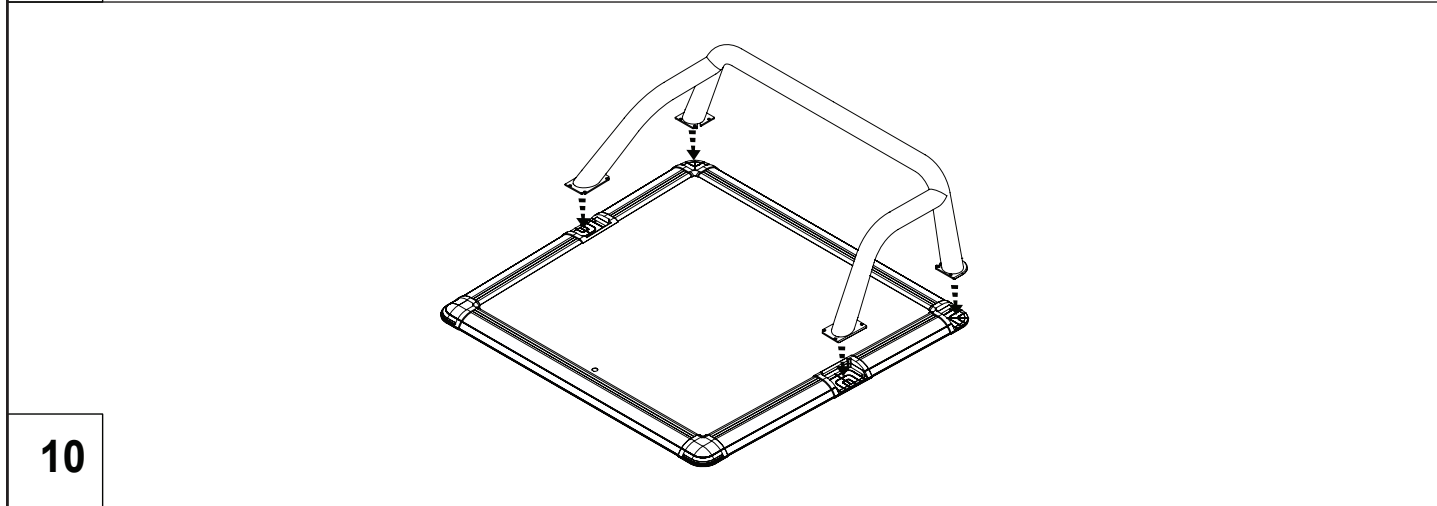
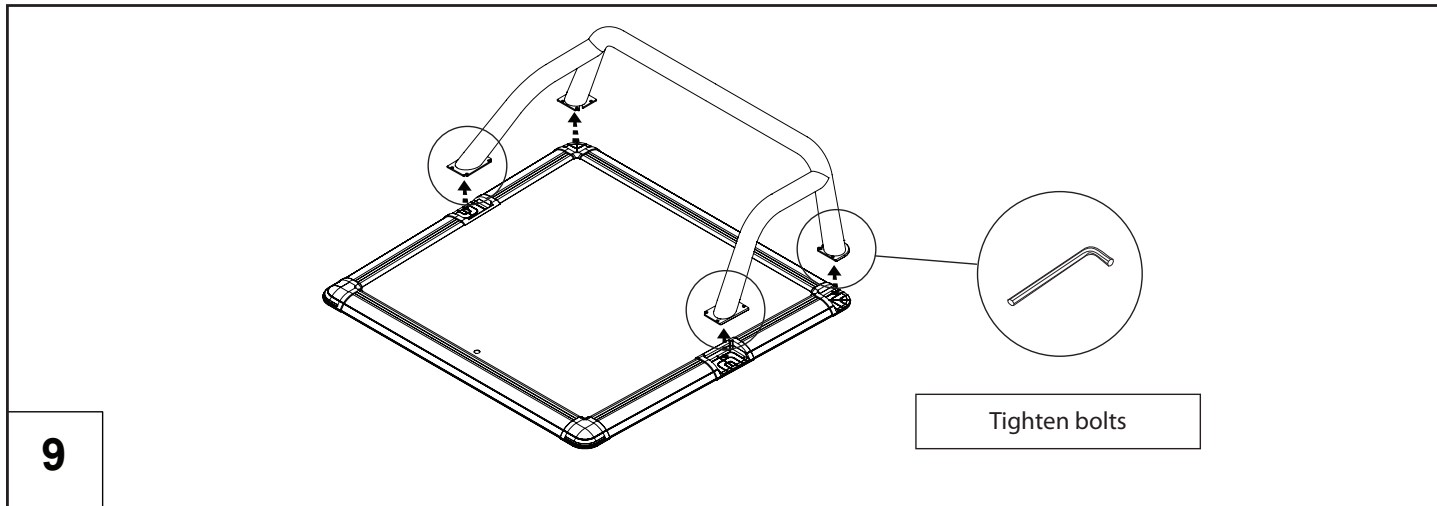
7



8

Adjust placement of bar

Fitting Kit Number	Product	Revision	Date	Page
EVOSR350S	FORD RANGER	1	22.07.2024	10



Fitting Kit Number	Product	Revision	Date	Page
EVOSR350S	FORD RANGER	1	22.07.2024	11

UpStoneEvolve

651, rue Henri Laugier.

06600 ANTIBES.

<http://www.upstone.eu> - info@upstone.fr