

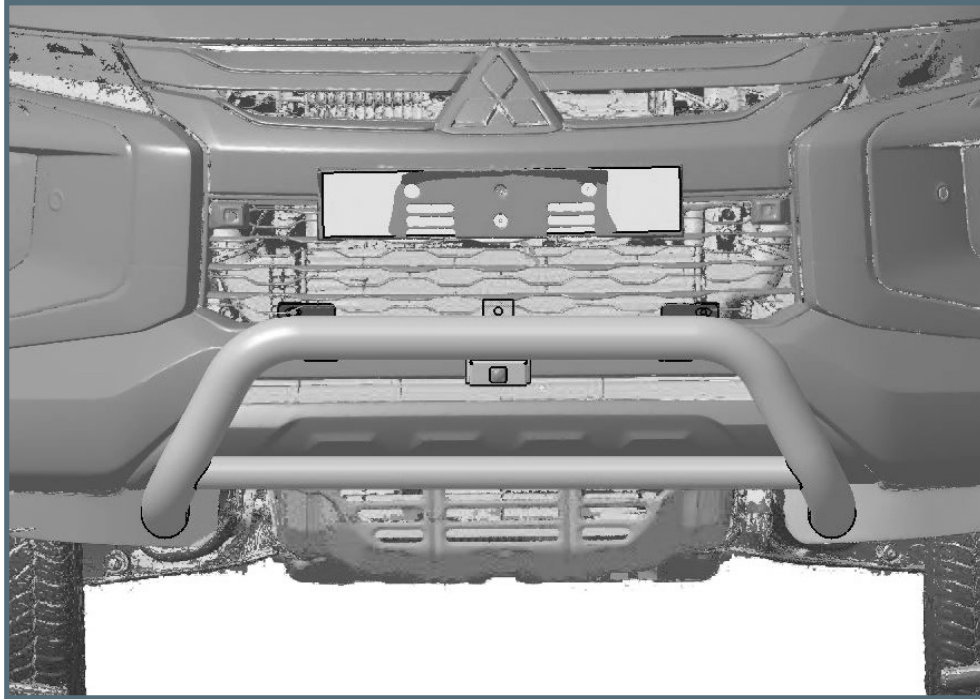
**17W
4813**

Mitsubishi L200 DC/CC, Md. 2020

EU-pedestrian protection bar 70 mm with cross pipe 51 mm

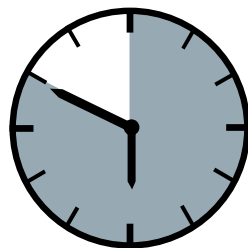
EU-Personenschutzbügel 70 mm mit Querrohr 51 mm

Protection avant, homologuée CEE, 70 mm, traverse 51 mm



ASSEMBLY INSTRUCTION

Montageanleitung • Instructions de montage



50 Minuten

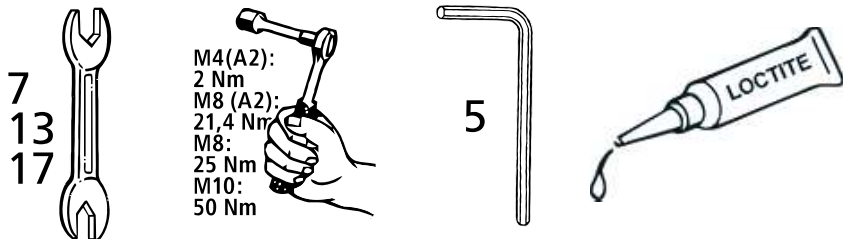
article no.:

17W4813 (S) inox

17W5813 black steel

Revision 2: 03.02.2020





1 17W4813.1 / 17W5813.1 **1x**

2 17W5226_R / 17W5227_L **2x**

3 17W5224_R / 17W5225_L **2x**

4 17W5172_R / 17W5173_L **2x**

mounting kit: 17W9813

5 17W5265 **2x**

6 17W4266 **1x**

7 17W4267 **1x**

8 005497 **2x**

Ø9 Zn

9 005498 **3x**

Ø9 A2

10 005493 **6x**

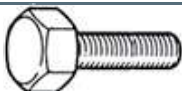


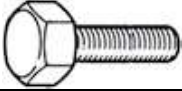




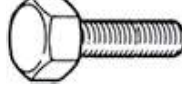
Ø11 Zn

article no.:
17W4813 (S) inox
17W5813 black steel

Revision 2: 03.02.2020



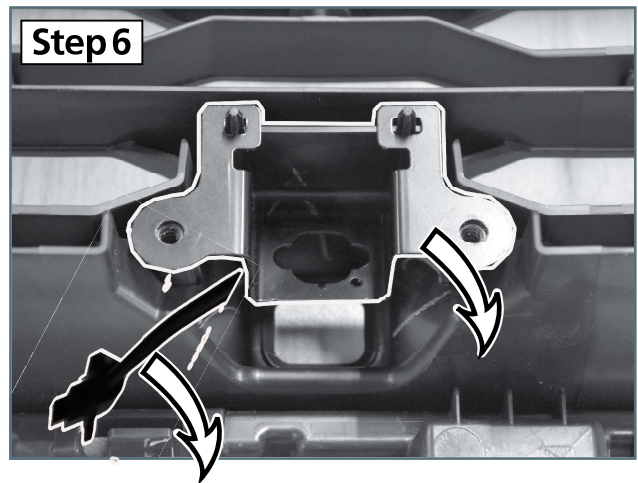
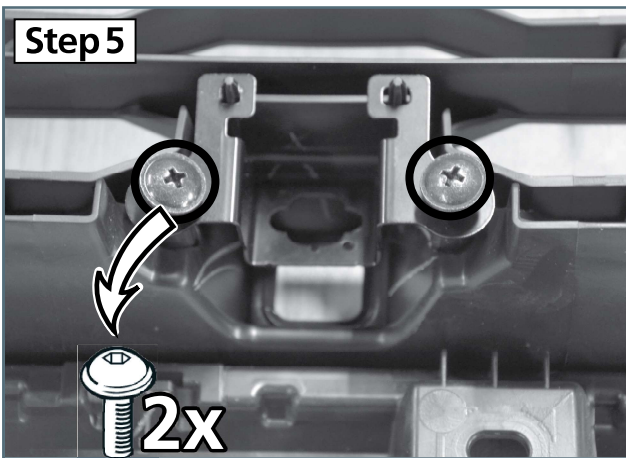
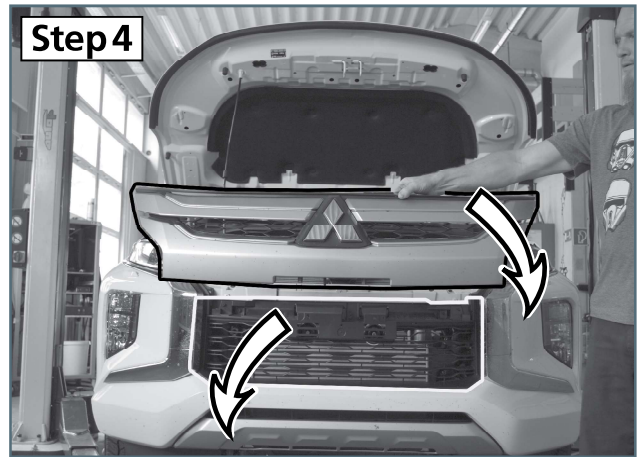
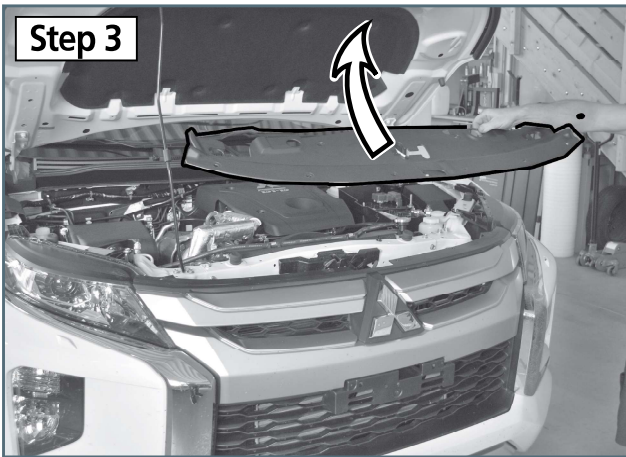
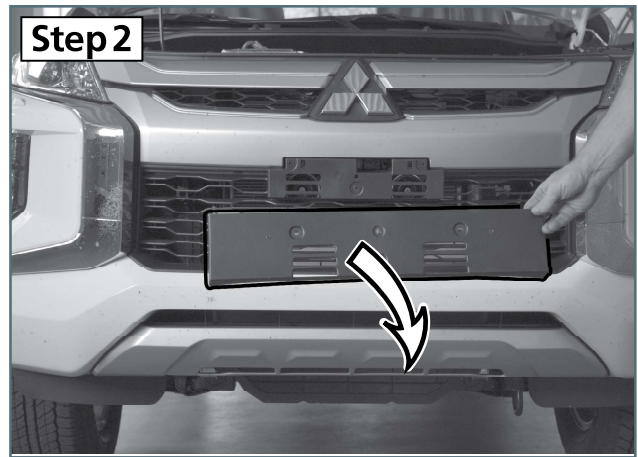
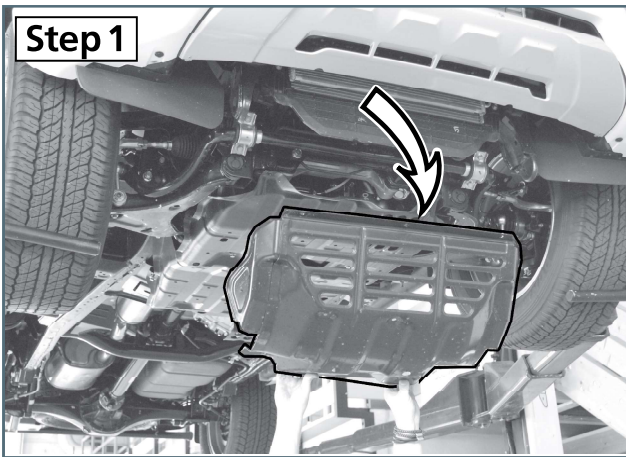
mounting kit: 17W9813

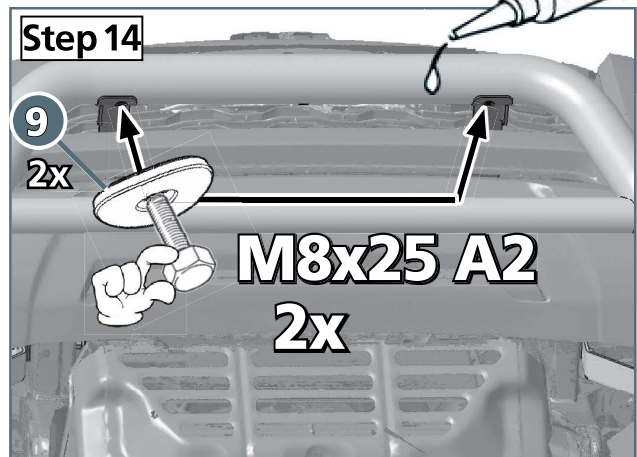
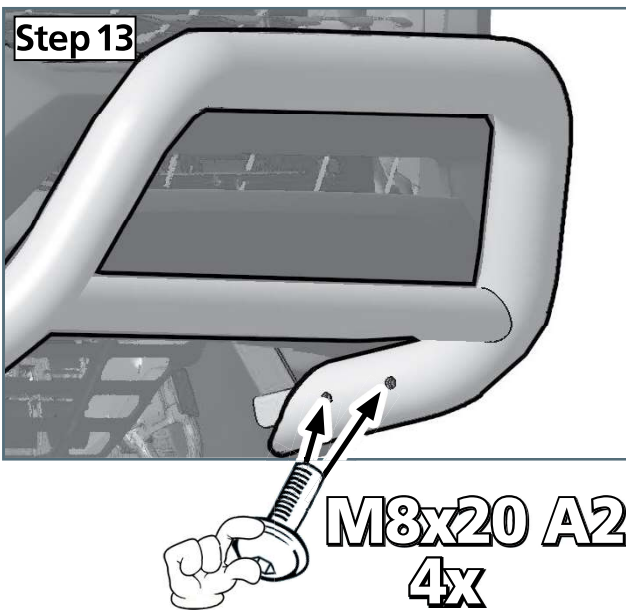
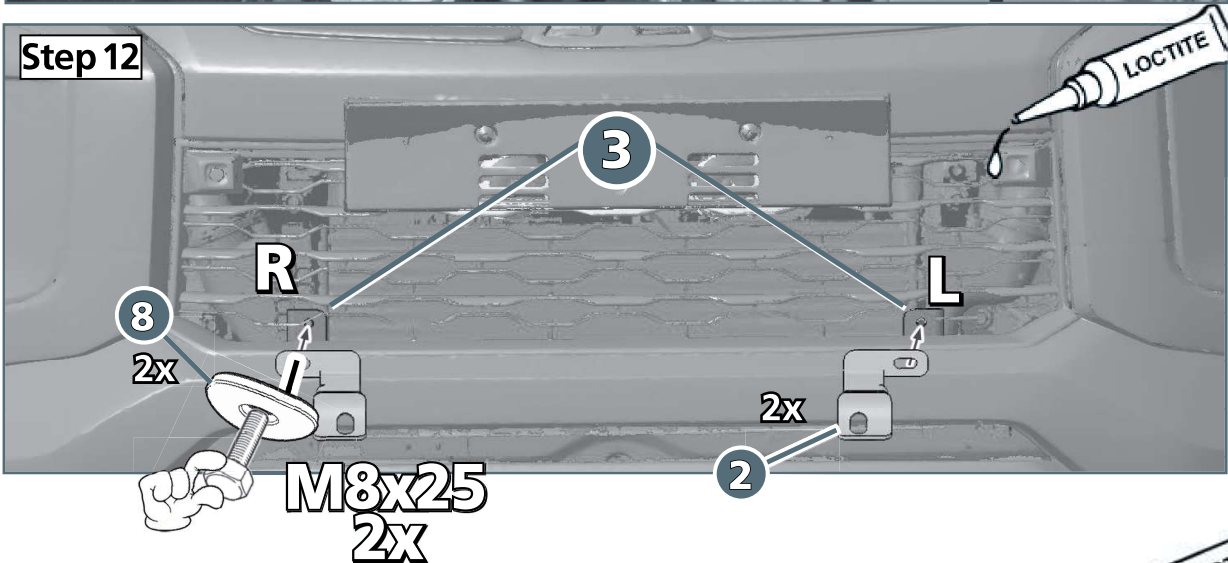
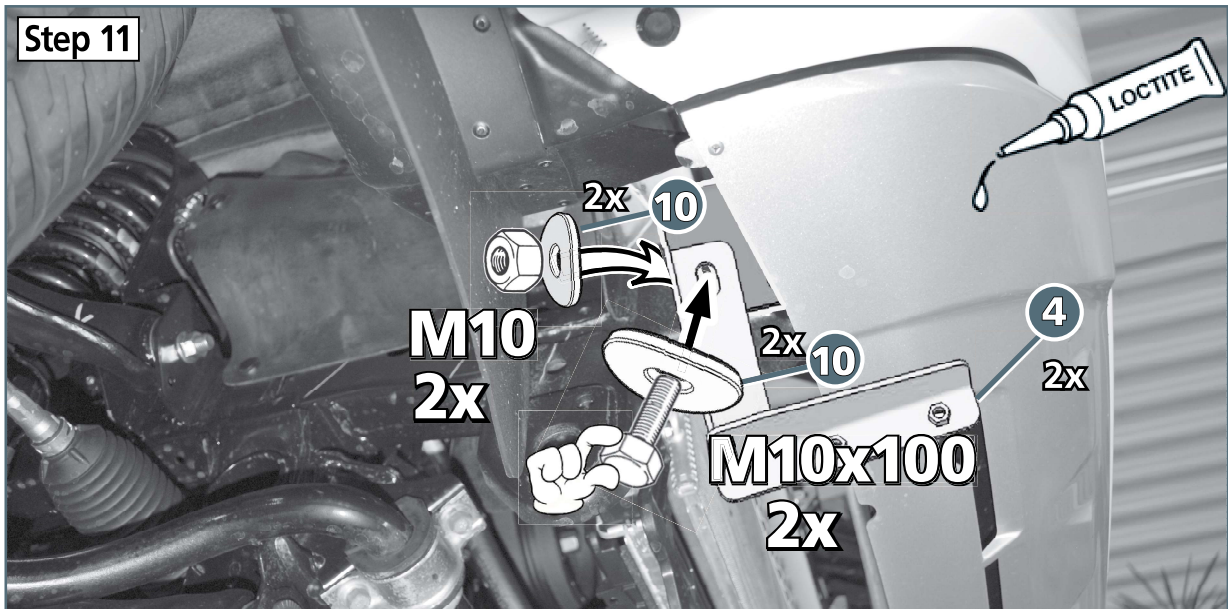
	M8x25; DIN 933 Zn	2x
	M10x1,25-30; DIN 961 ZN	2x
	M10x100; DIN 933 Zn	2x
	M8x25; DIN 933 A2	3x
	M8x20; ähnl.ISO 7380 A2	4x
	M10; DIN 934 Zn	2x
	Ø 4,3; DIN 125 A2	8x
	M4; DIN 934 A2	4x
	M4x12; DIN 933 A2	4x

article no.:
 17W4813 (S) inox
 17W5813 black steel

Revision 2: 03.02.2020









$\text{\O}4,3$ DIN 125 A2
 M4x12 A2
 4x
 $\text{\O}4,3$ DIN 125 A2
 M4

