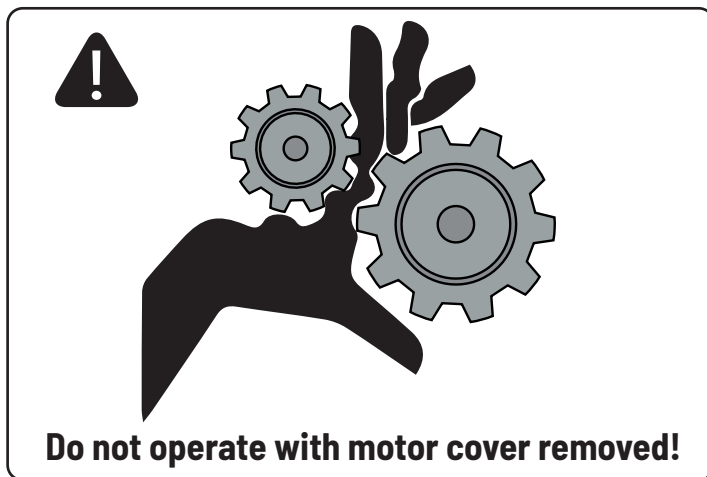
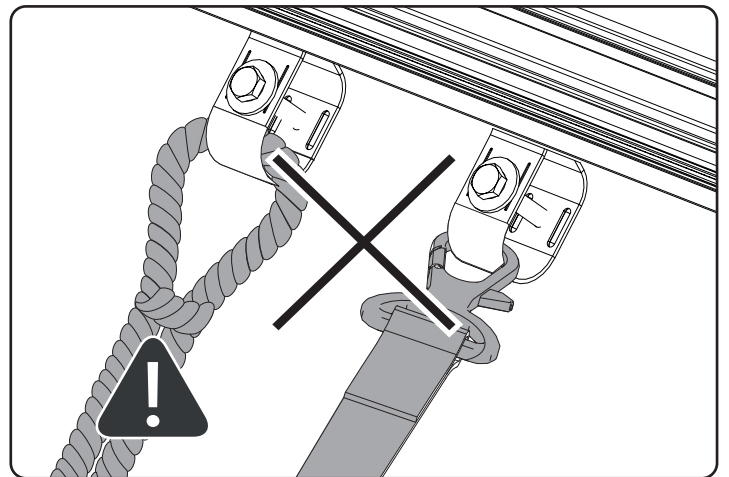
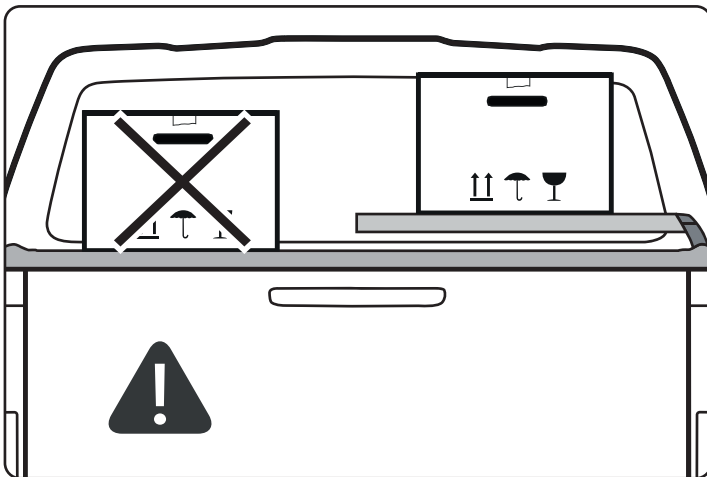
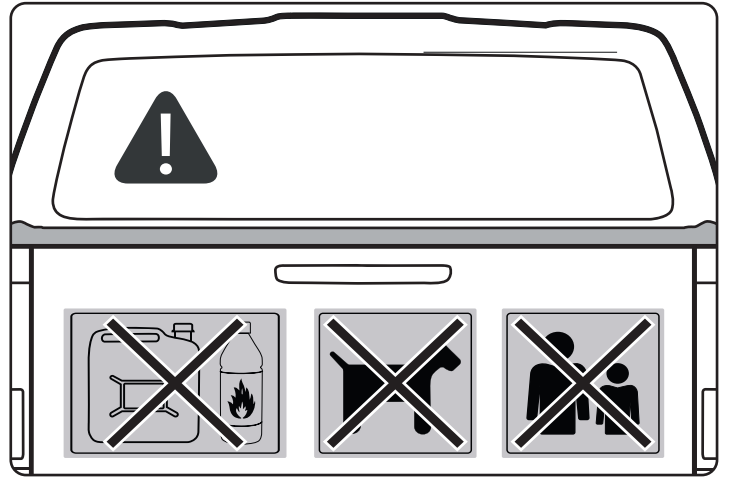
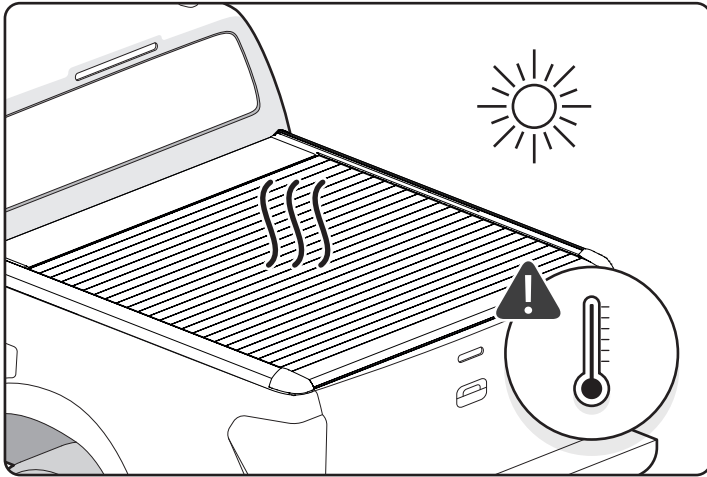


# OWNER MANUAL

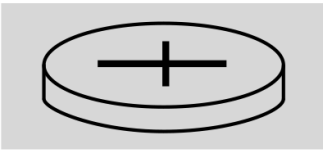
MOUNTAIN TOP<sup>®</sup> EVOe ROLL COVER



# 1 WARNINGS



- Temperatures can be very high under the cover when closed.
- We do not recommend washing the EVOe roll cover in a brushless carwash, as the coating may be damaged due to use of chemicals.





**0-5 Years**

WARNING: This product contains a coin/button cell battery inside the Remote FOB used to operate the roll cover. Keep batteries out of reach of children. Swallowing may lead to serious injury or death in as little as 2 hours due to internal burns.

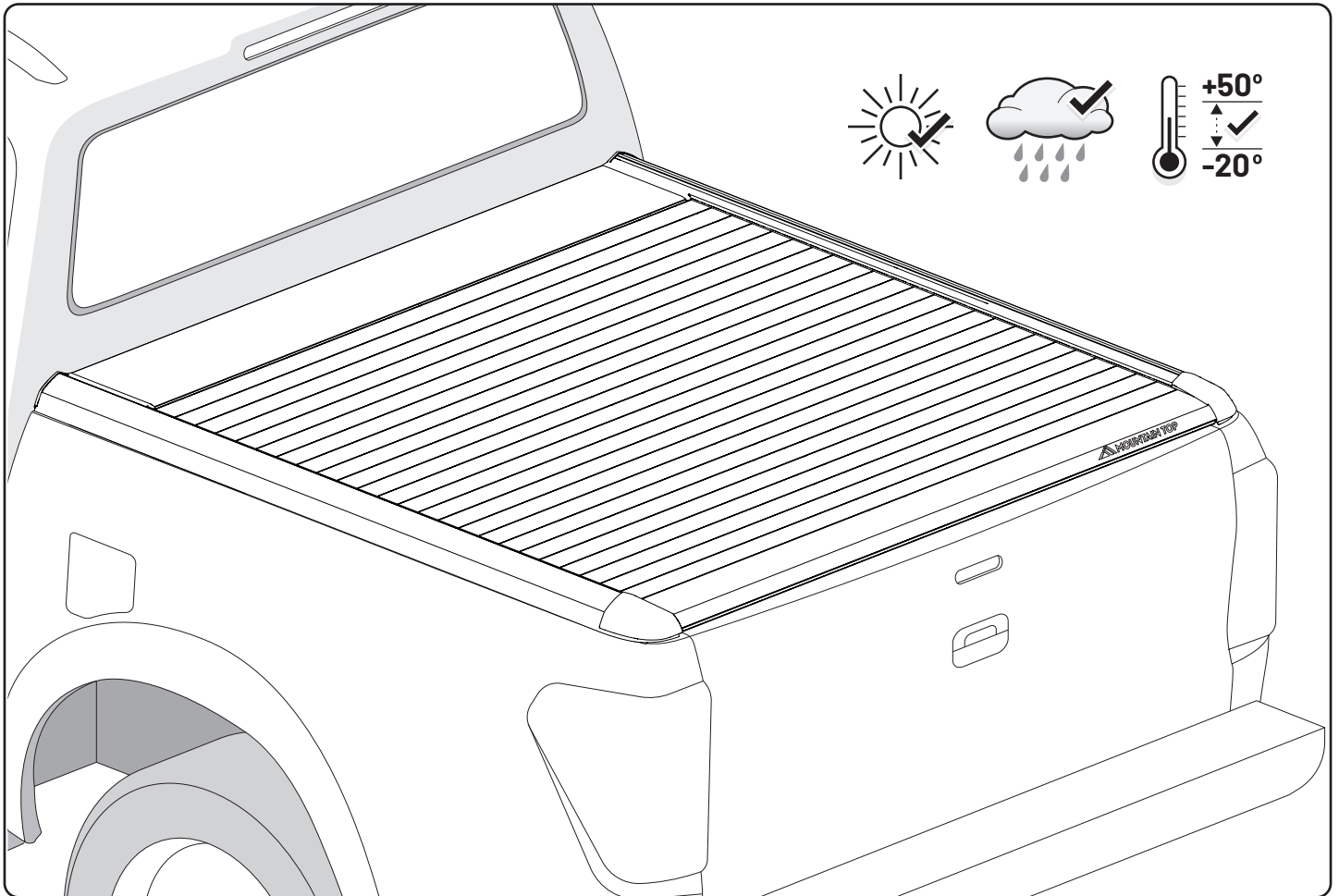
This product has been designed so that the coin/button cell battery is not accessible to young children as the battery compartment cover is secured with a screw or mechanical fastener. Always ensure the Remote FOB compartment is secured before use.

**If swallowed or placed inside any other part of the body, immediately call the 24-hour Poison Information Centre (Look up the number in your country of residence) for fast, expert advice. Dispose of used batteries immediately.**

 <p><b>WARNING</b></p> <p>KEEP OUT OF REACH OF CHILDREN Swallowing can lead to chemical burns, perforation of soft tissue, and death. Severe burns can occur within 2 hours of ingestion. Seek medical attention immediately.</p>	
--	--

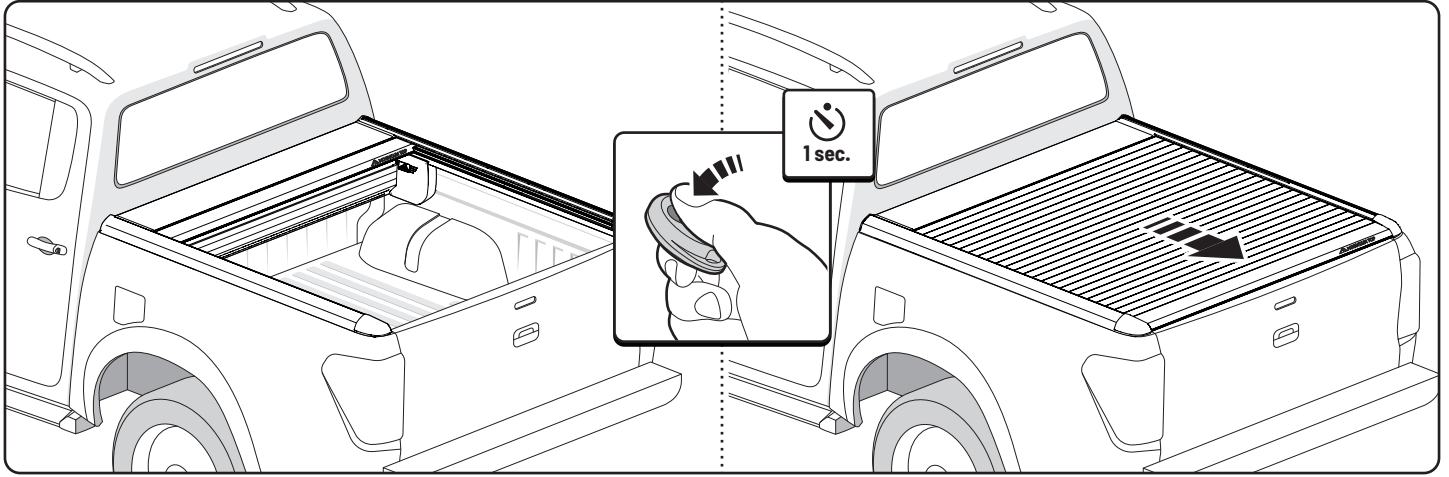
IEC

## 2 CONDITIONS OF USE

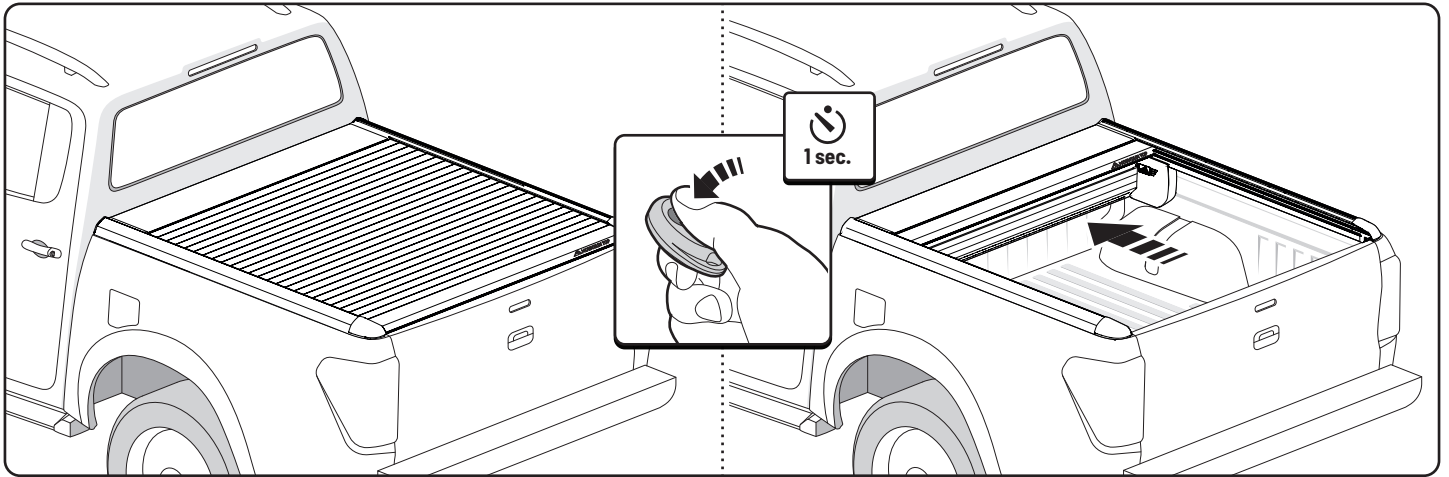


- The EVOe roll cover design is lightweight and not suitable for extreme usage.
- Designed to withstand rain water, some water ingress may occur.
- Dust can enter the compartment through various gaps.
- Due to profiles which relatively quick heats up and cools down according to weather conditions can cause condensation on the inside.
- The EVOe roll cover is not designed for loading although it can support normal snow loads.
- Goods in the bed must be secured during transportation to prevent damage.

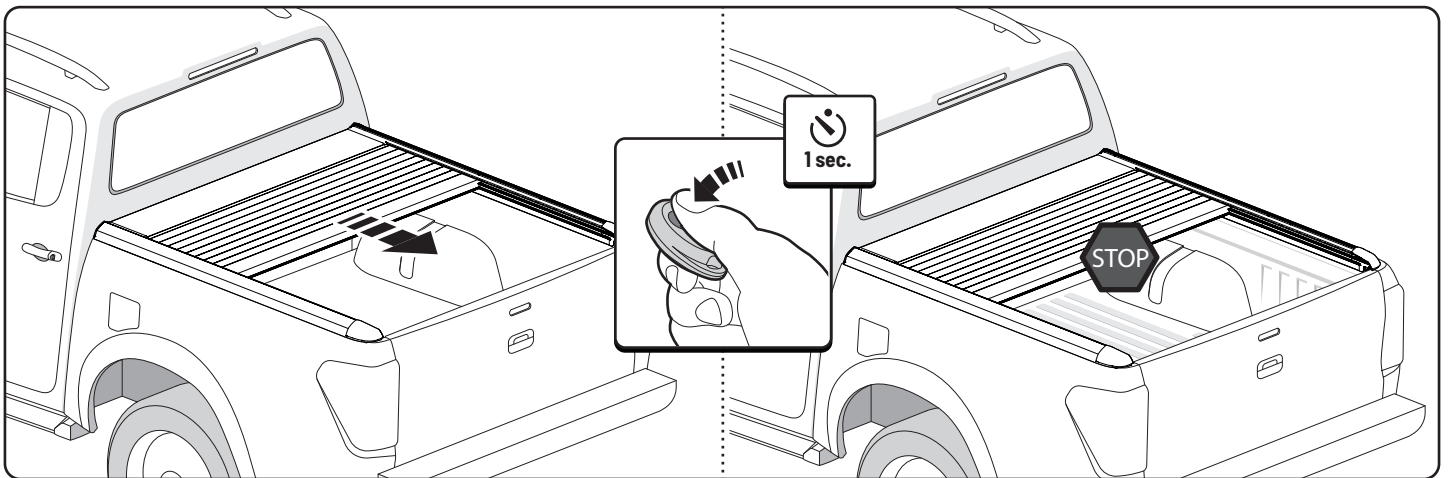
### 3 OPERATION EVOe



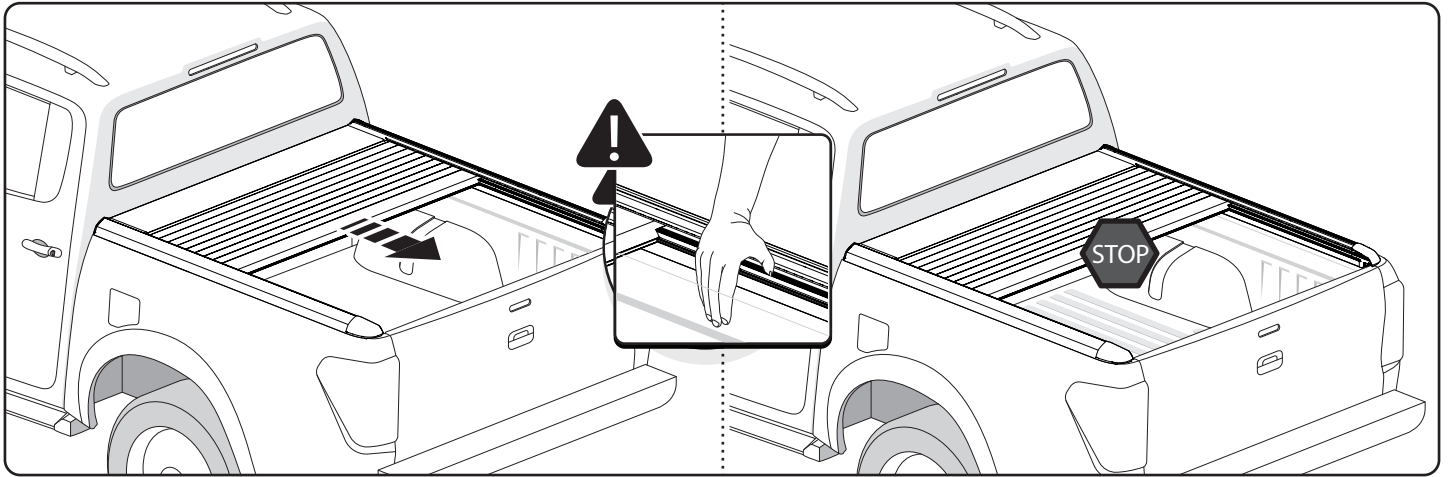
- Close



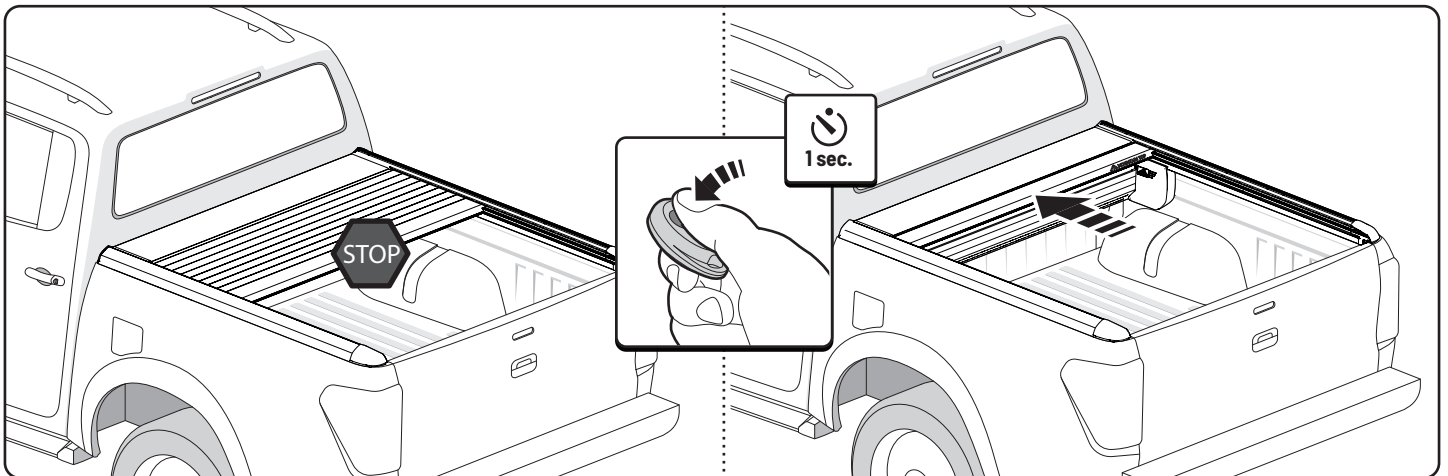
- Open



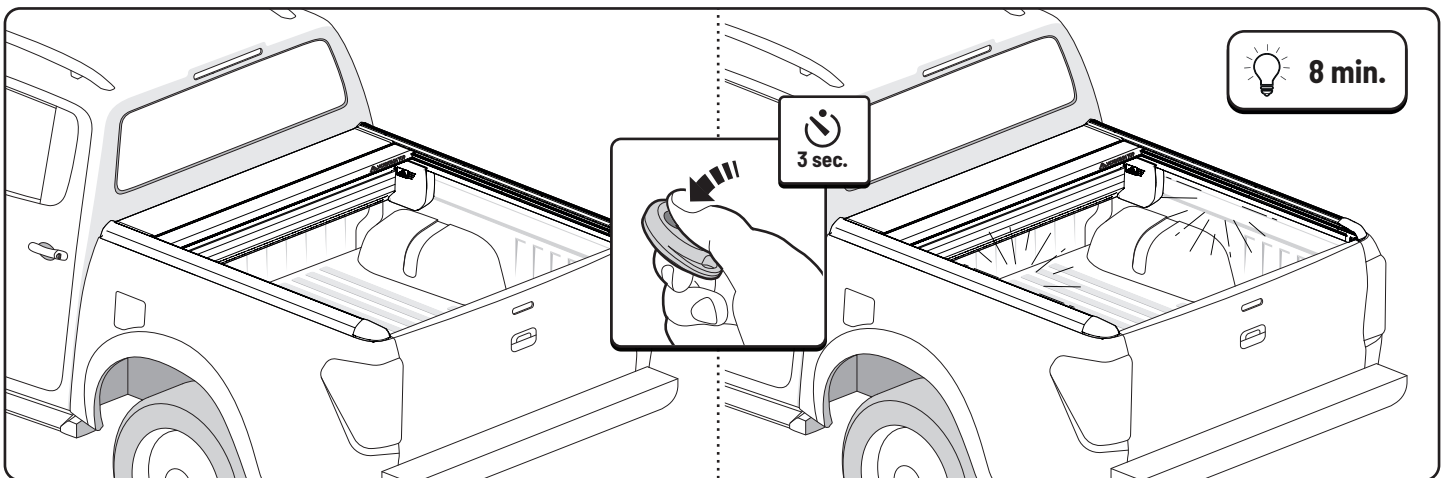
- Stop



- Obstruction stop

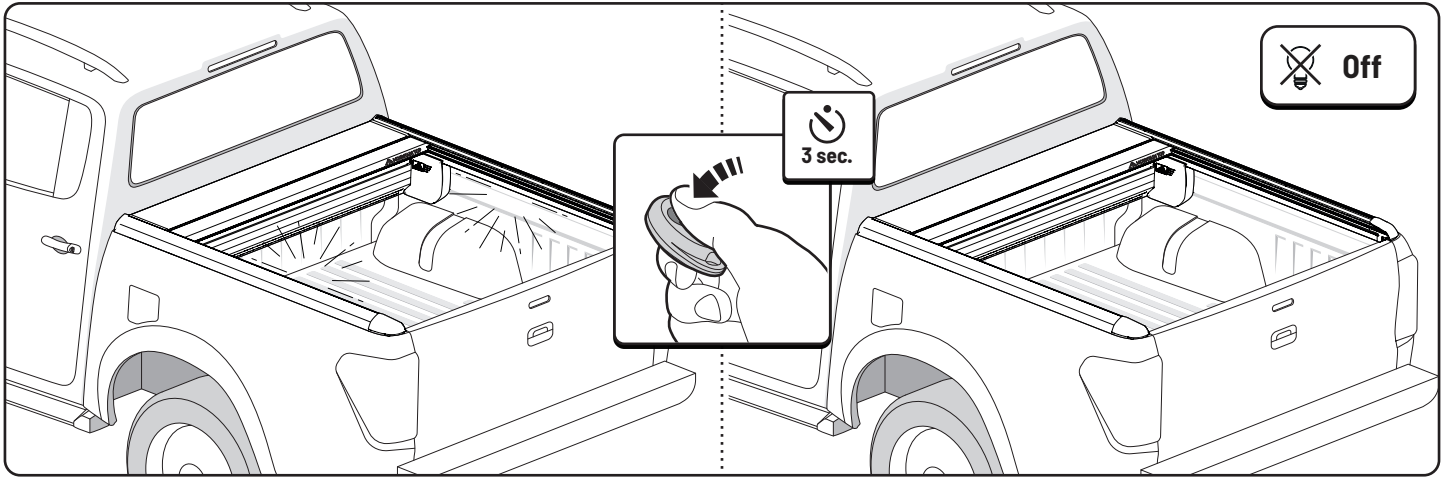


- After stop

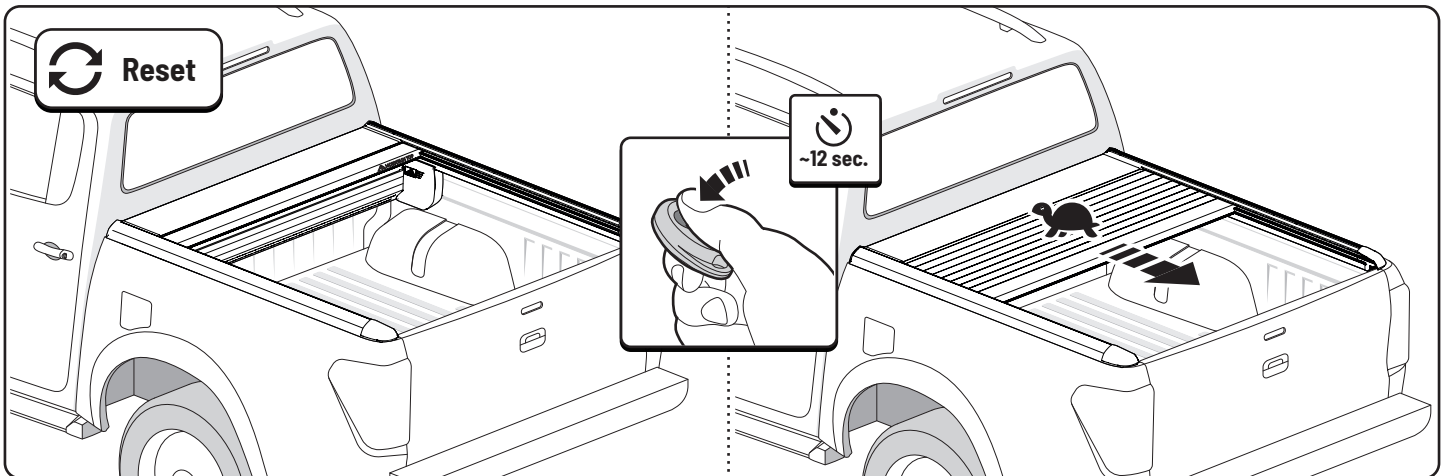


- Light on

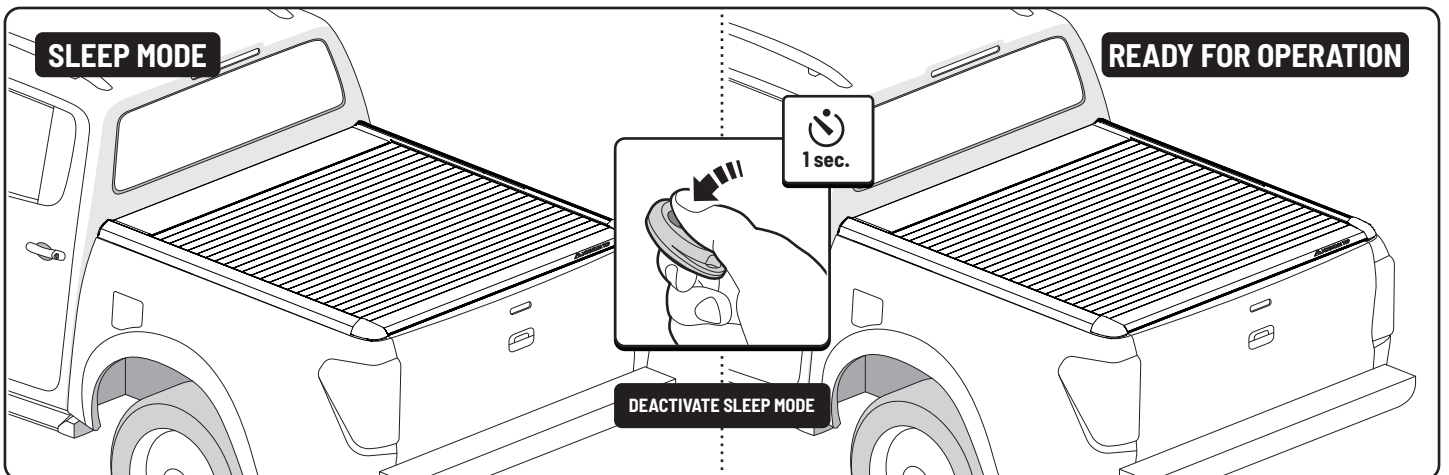




- Light off

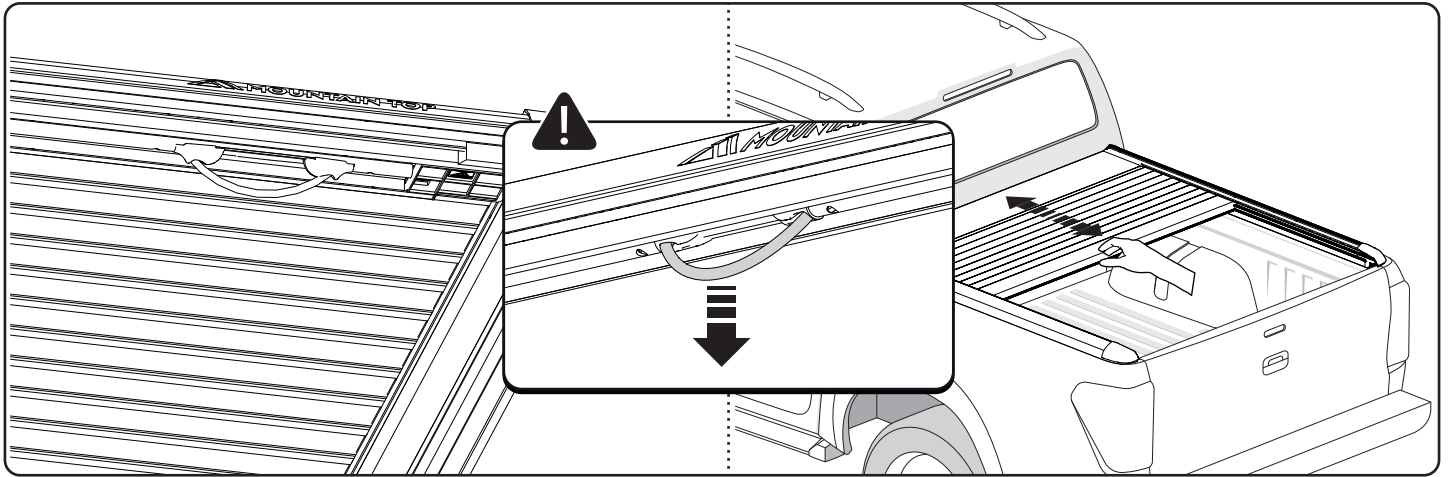


- Auto calibration

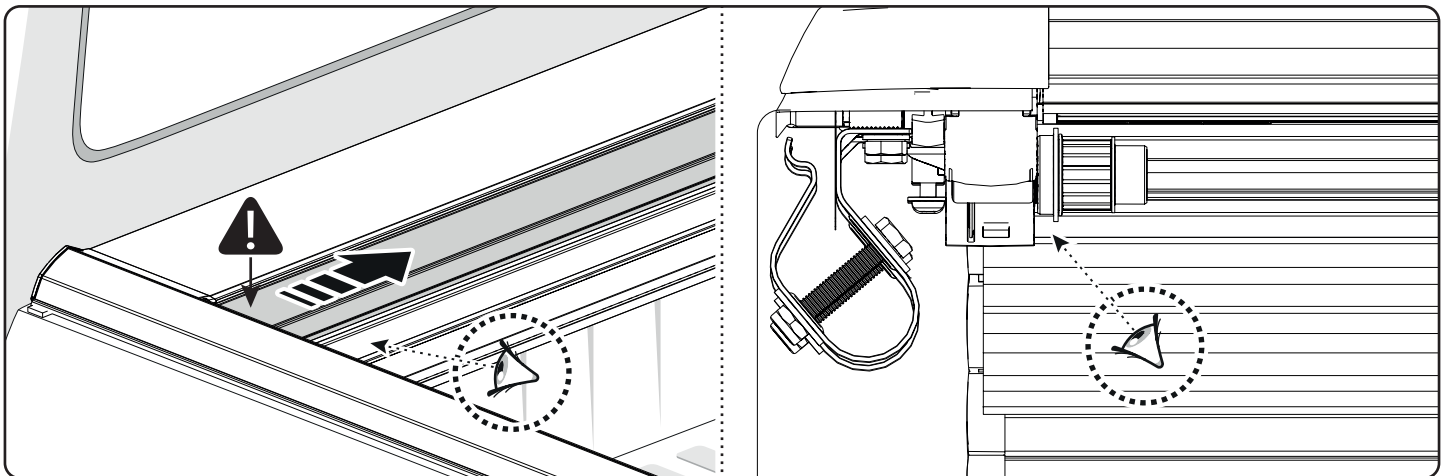


- Auto sleep mode = 48 Hrs.

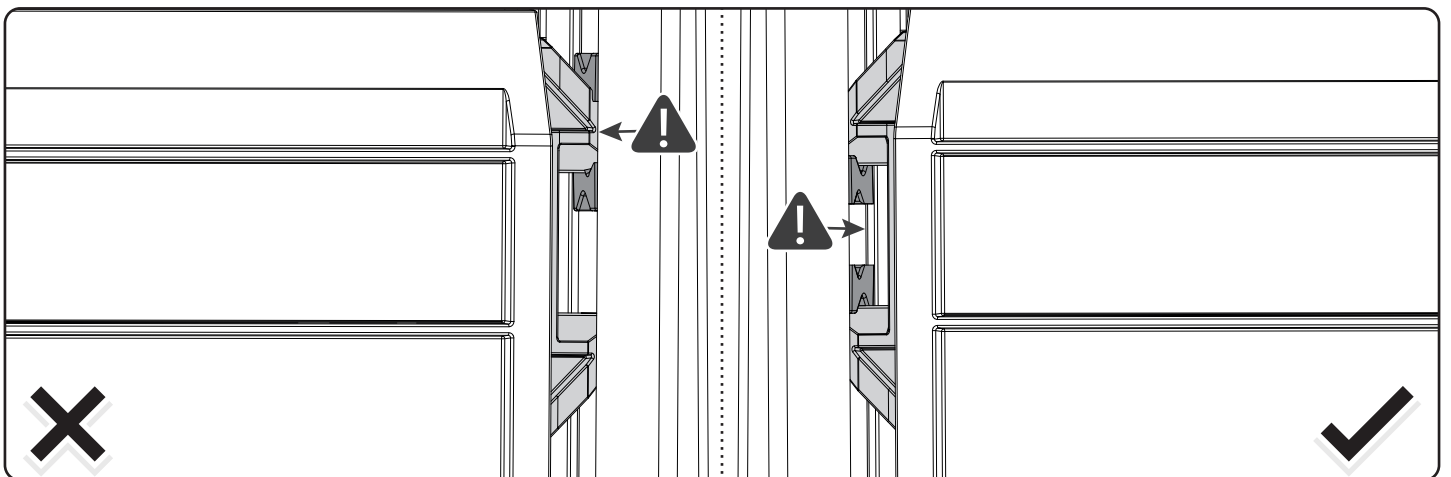




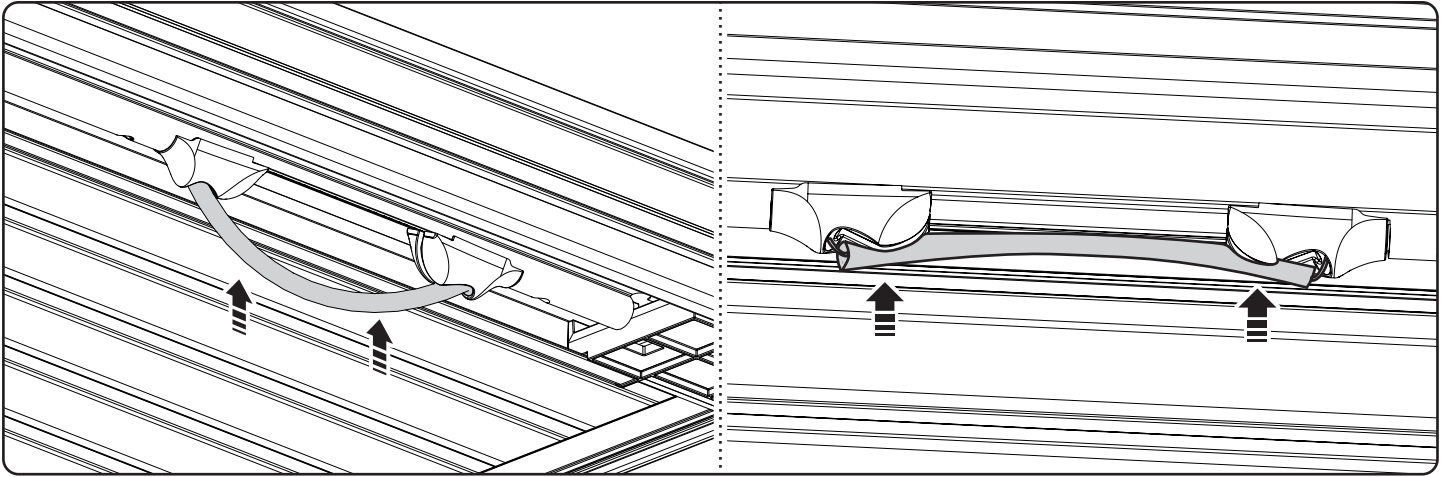
- Release - manual operating.



- Reconnect after manual operation.

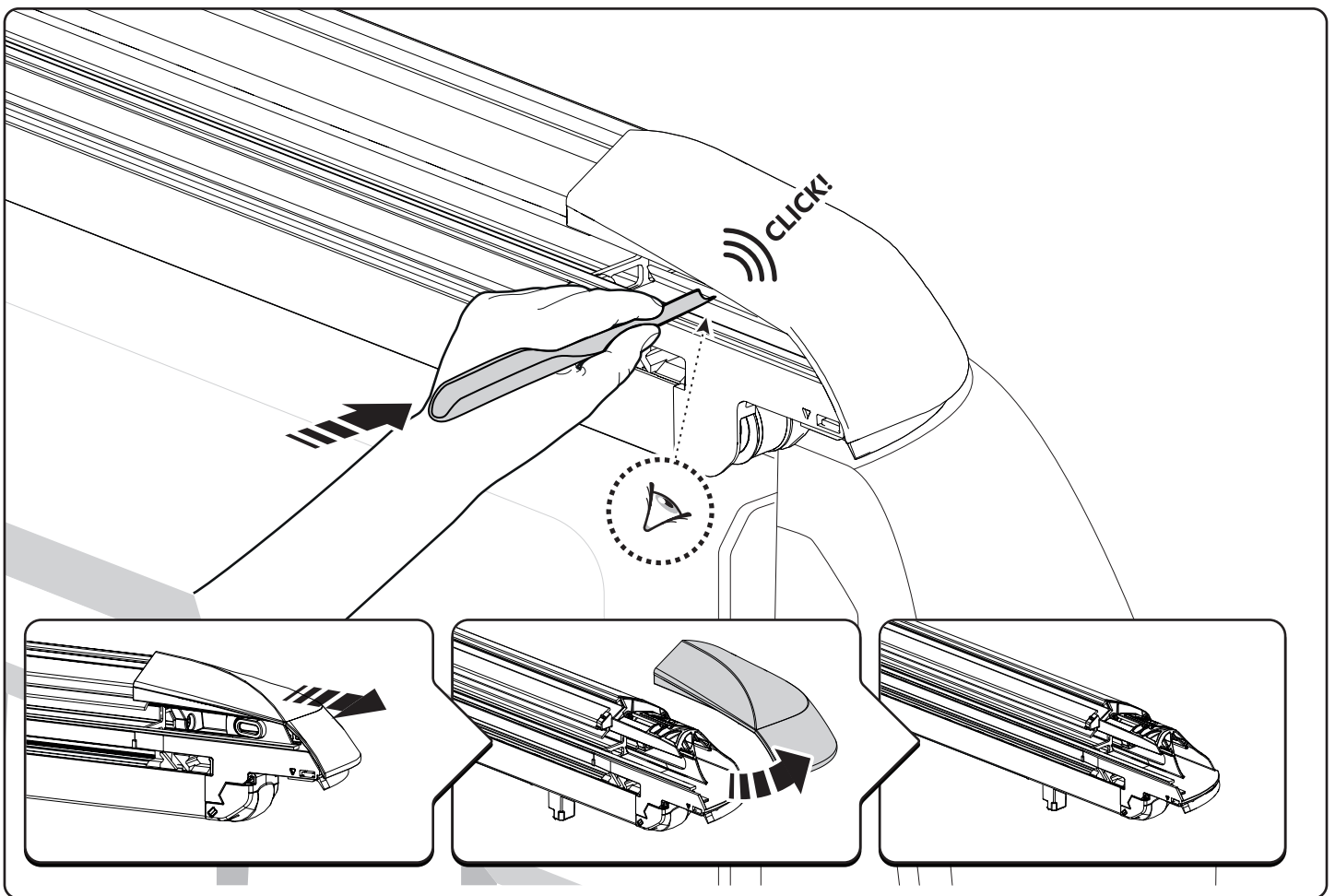
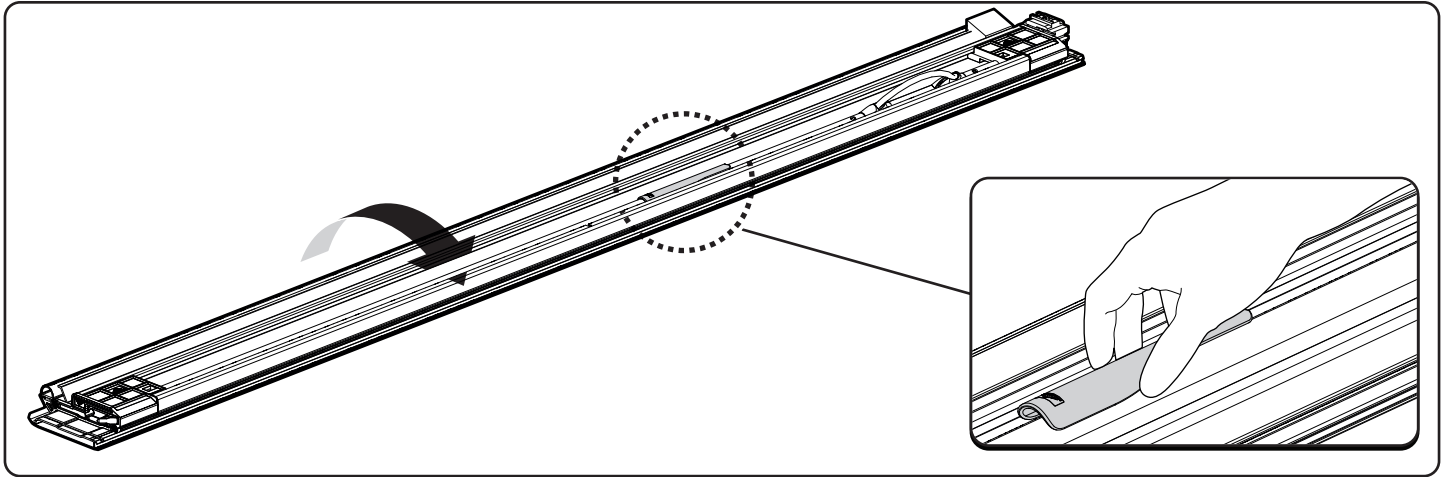


- Reconnect after manual operation.

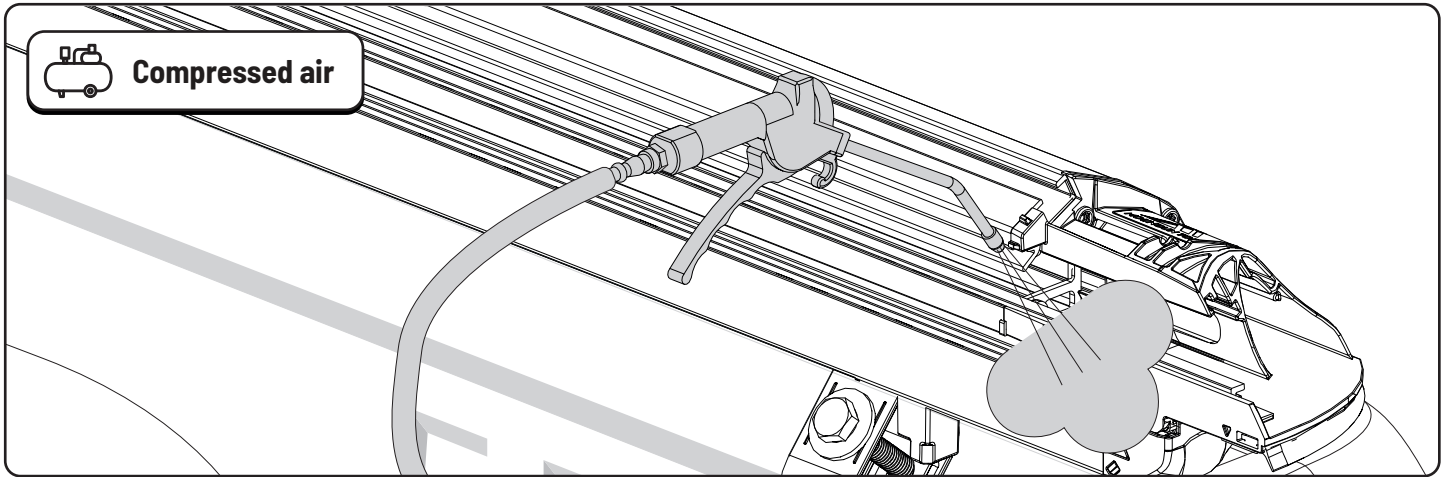


- Secure cargo inside bed.

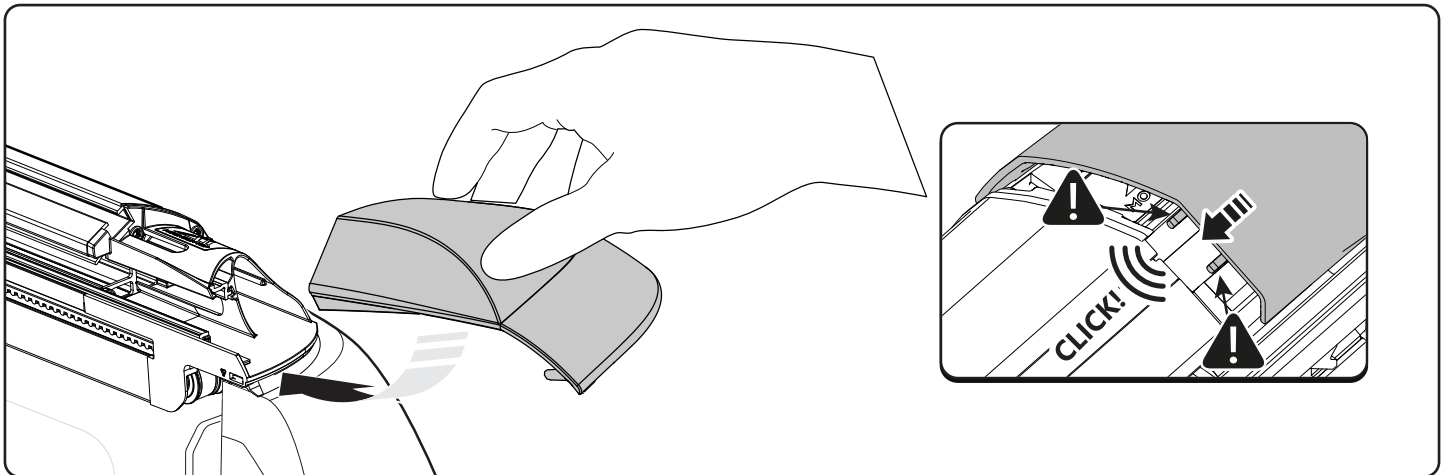
## 4 MAINTENANCE



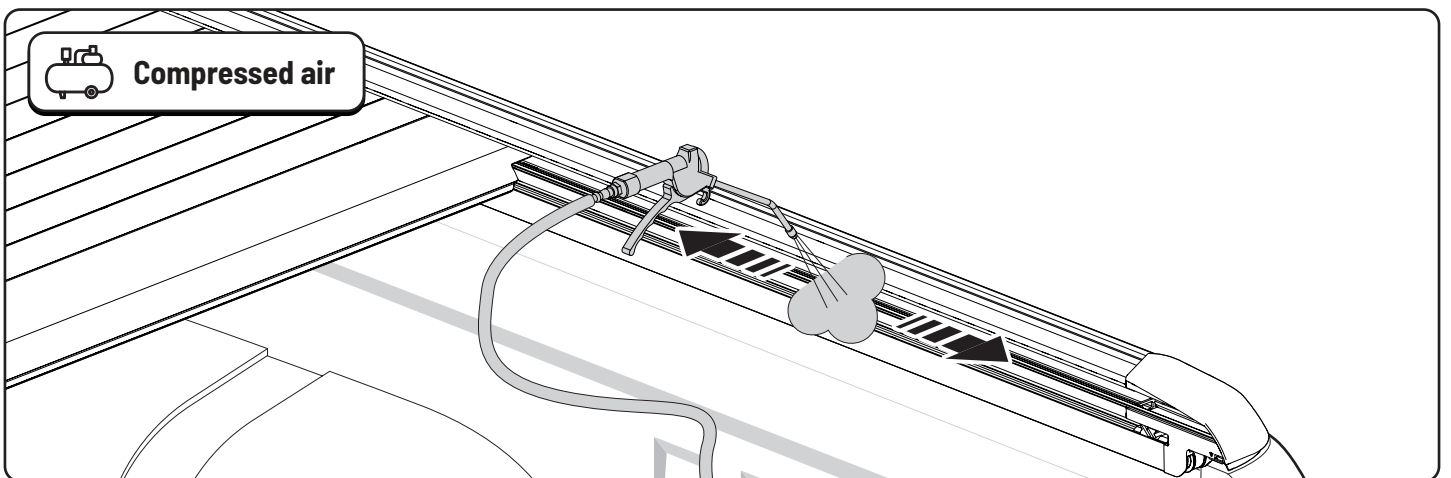
- Use the multi tool to remove the plastic covers on the side profiles.



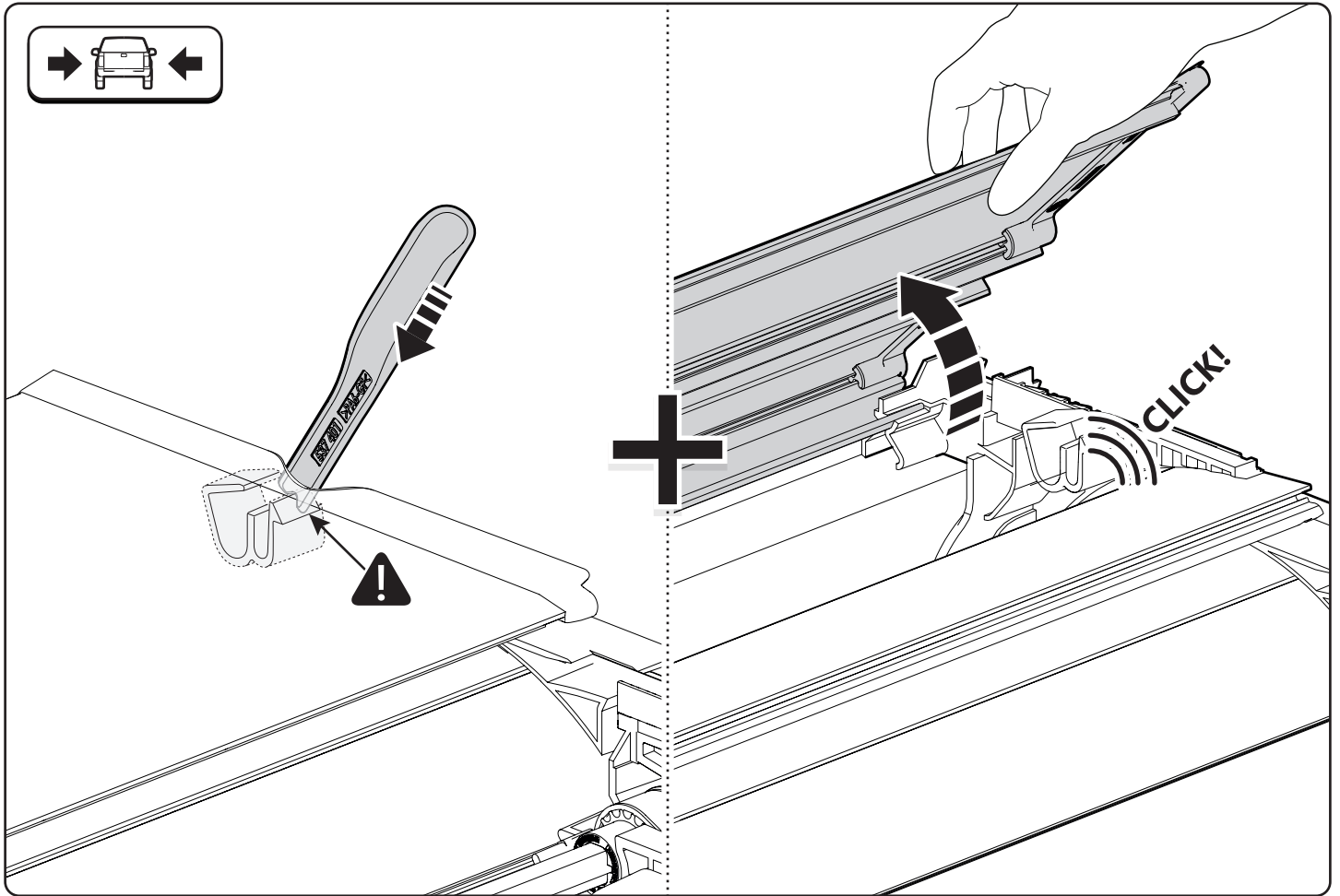
- Remove dirt and debris using compressed air.



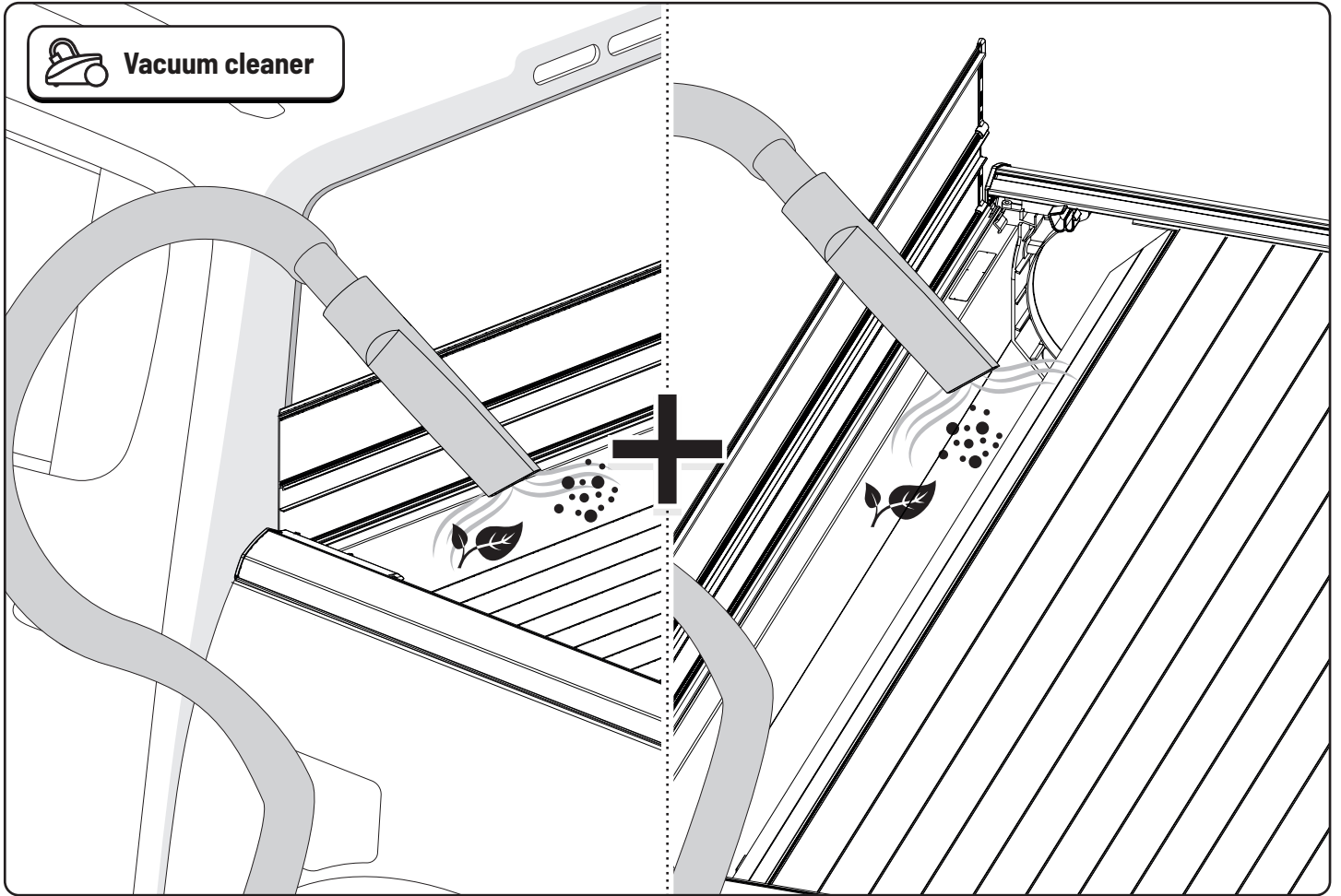
- Mount plastic covers.



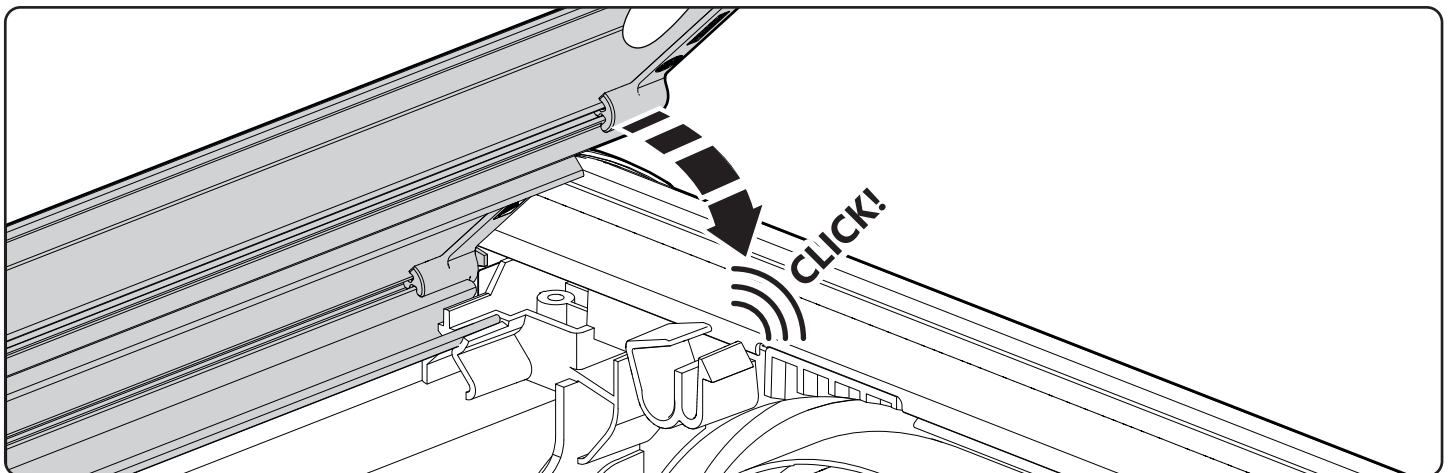
- Clean the side profiles.



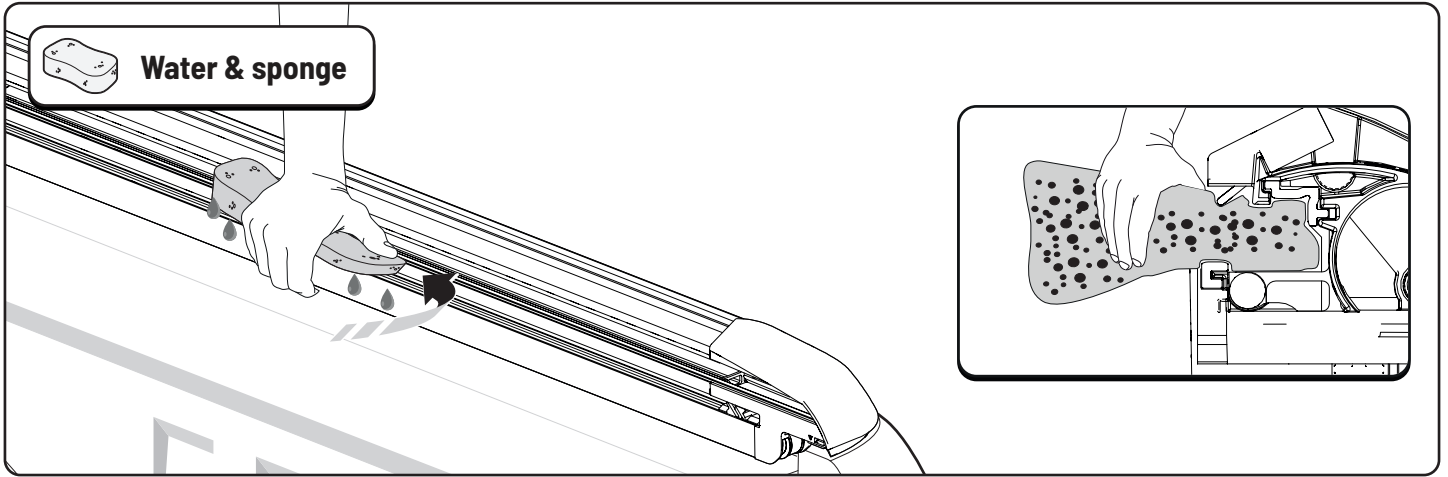
- Open the canister.



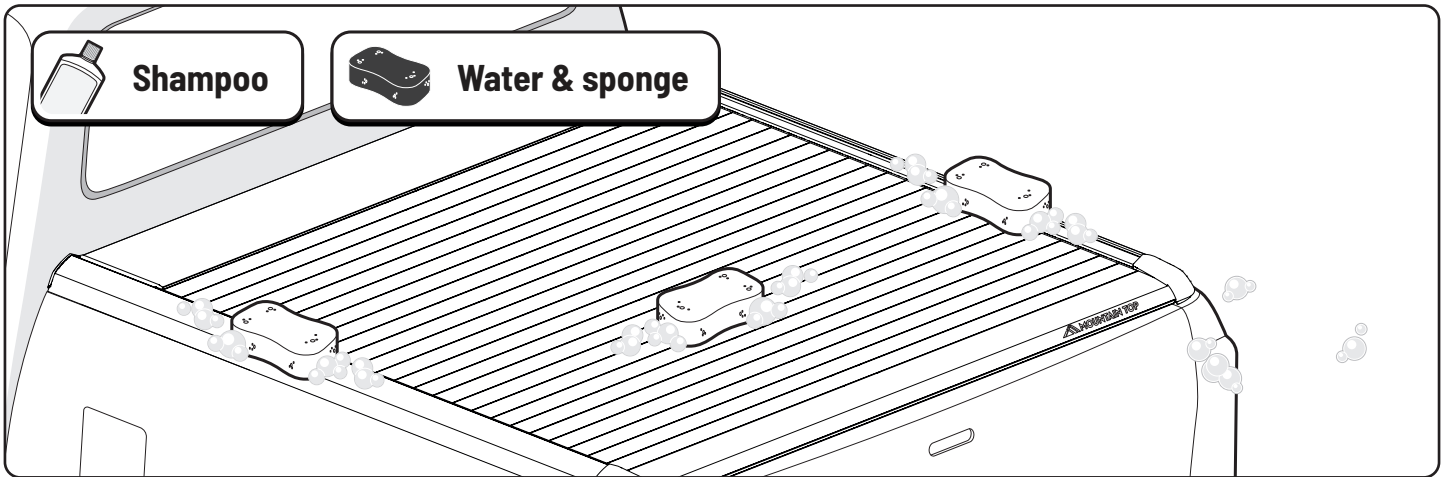
- Clean the canister.



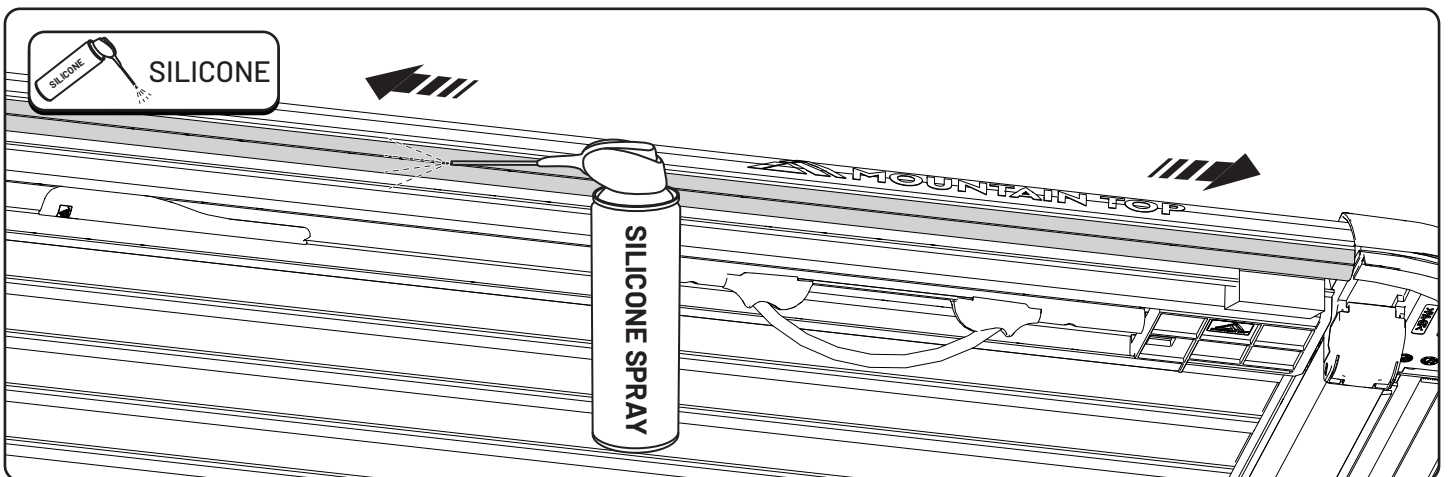
- Close the canister.



- Clean the drainage channels on the side profiles. Do not use high pressure cleaner.

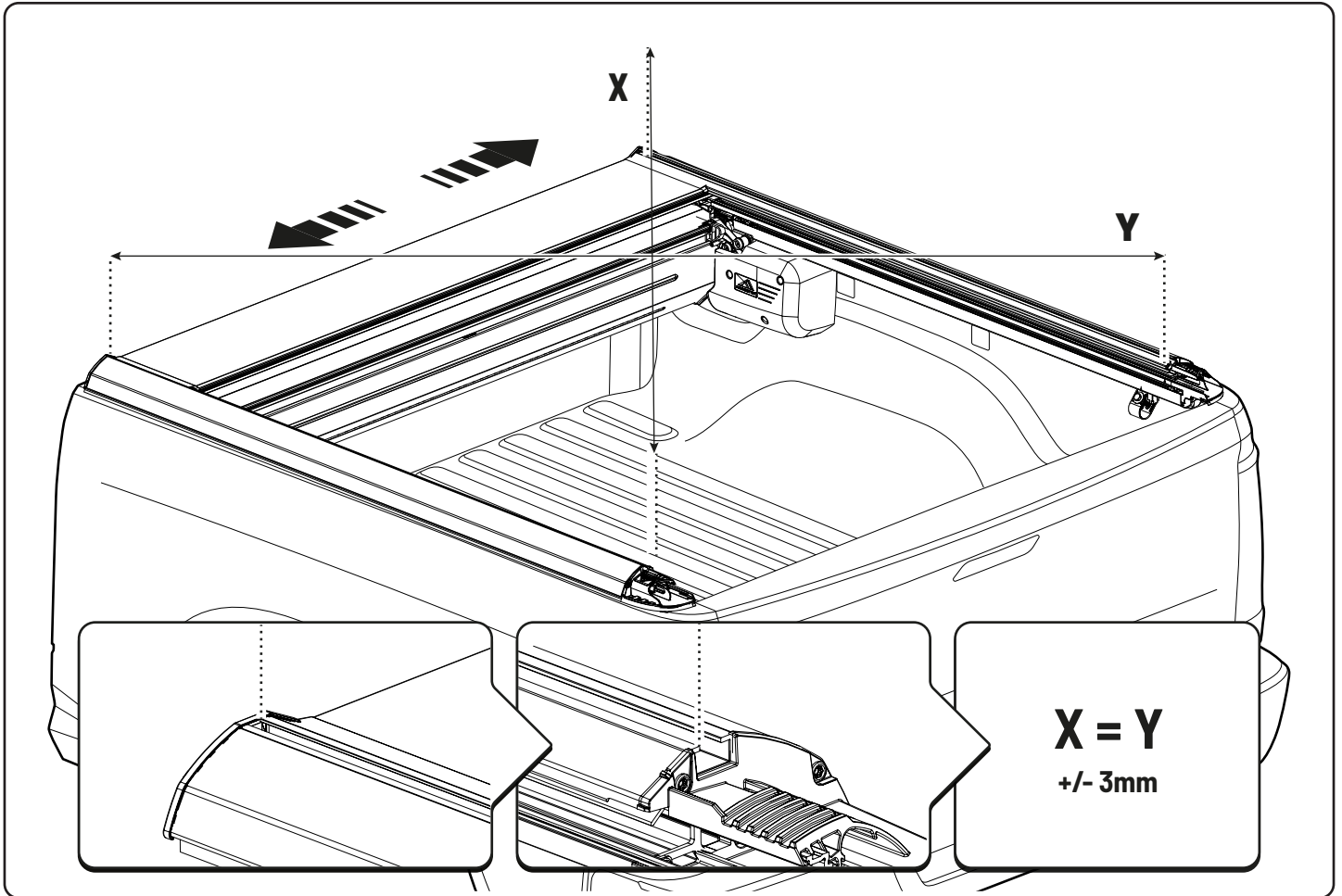


- The EVOe roll cover should be cleaned regularly.

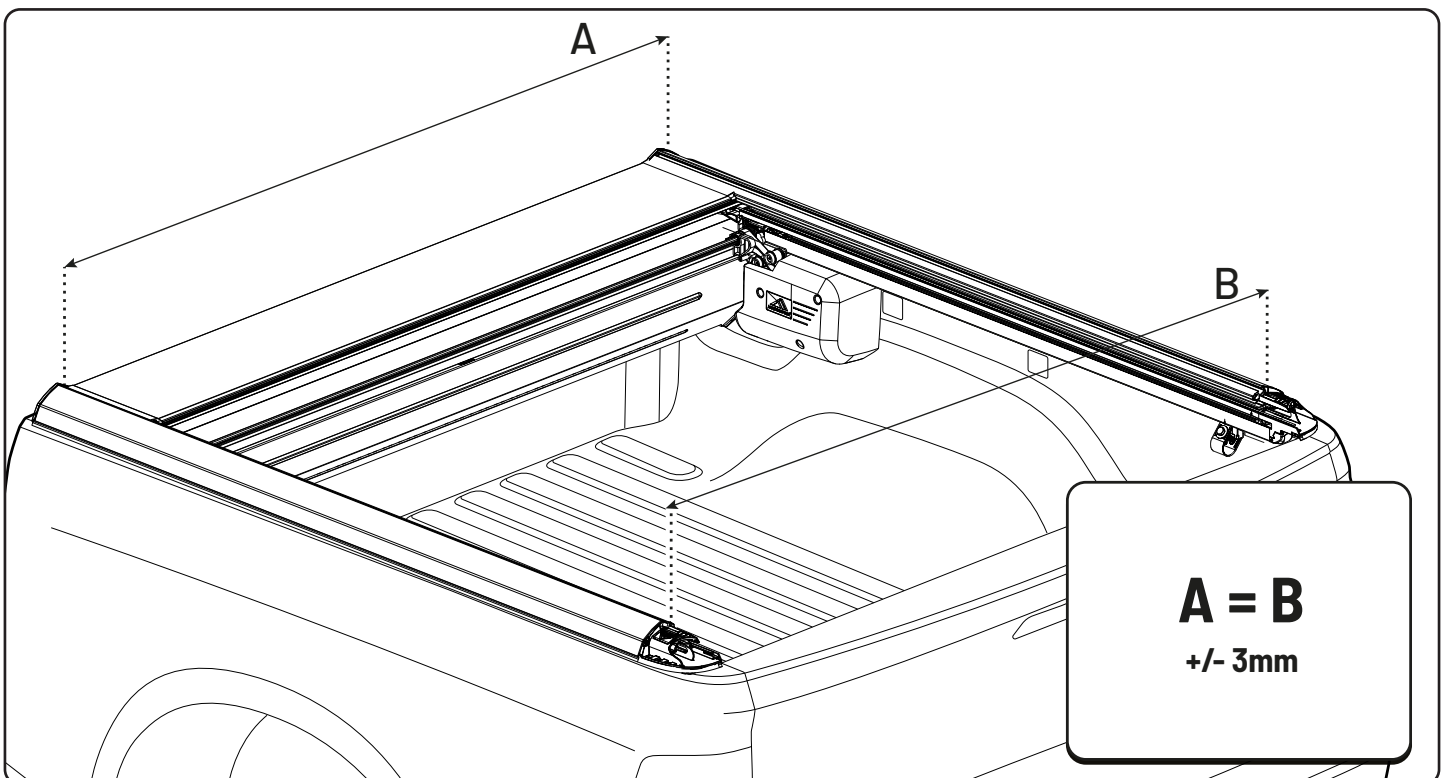




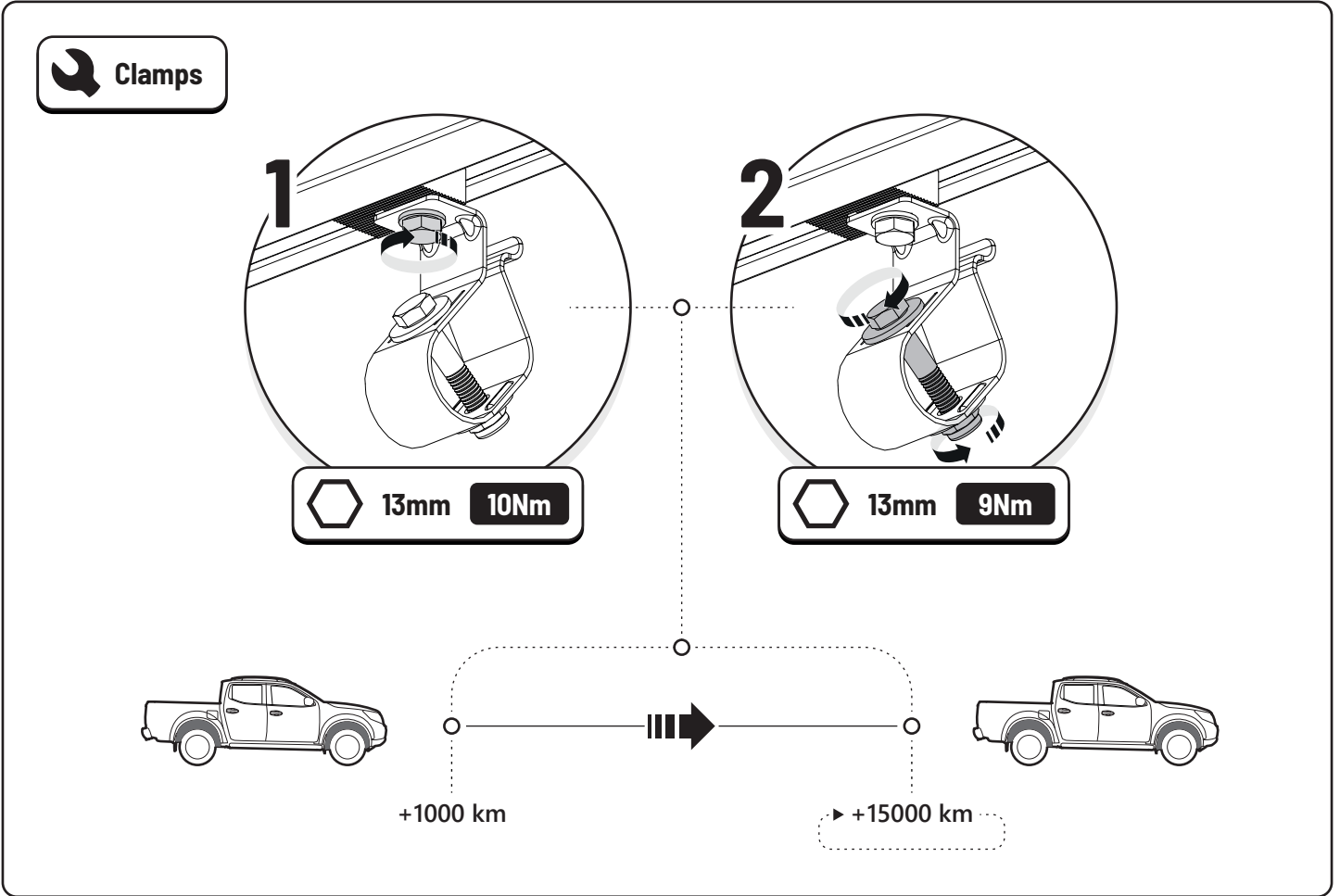
## 5 CHECK MEASUREMENTS MAINTENANCE



- Ensure the cross measurements are identical.

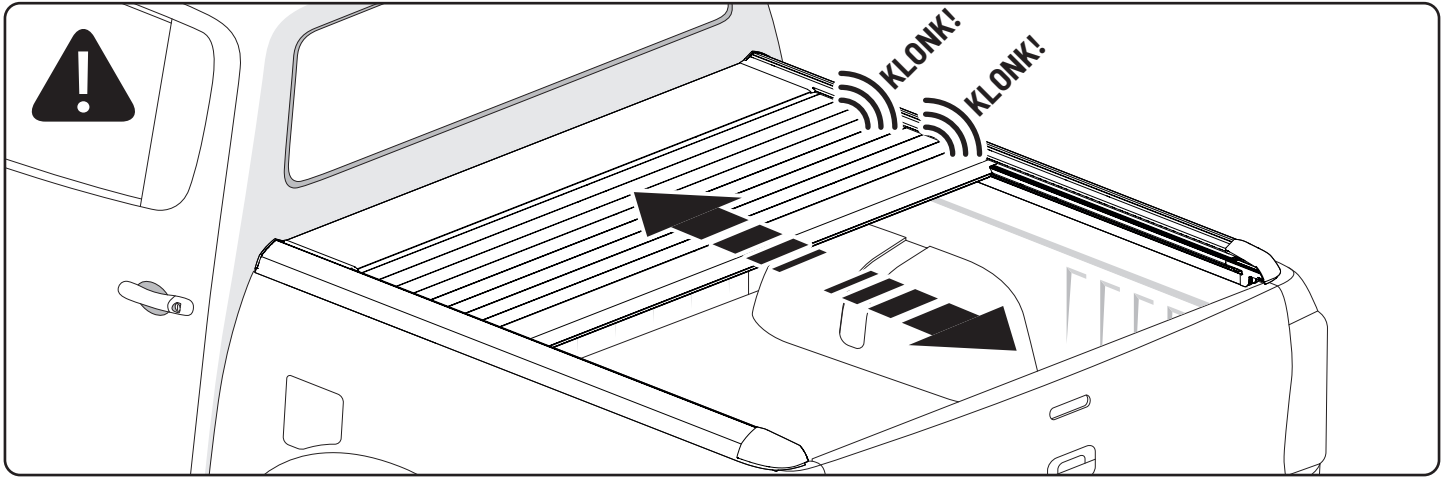


# 6 CLAMPS

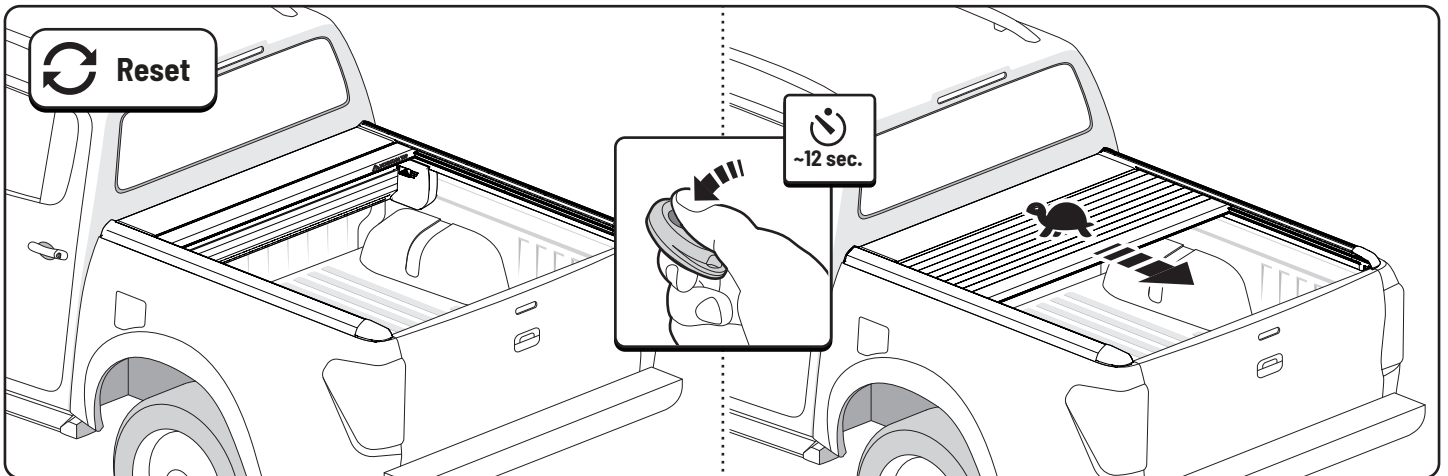


- Re-tighten the clamps after the first 1000 km. And then every 15.000 km

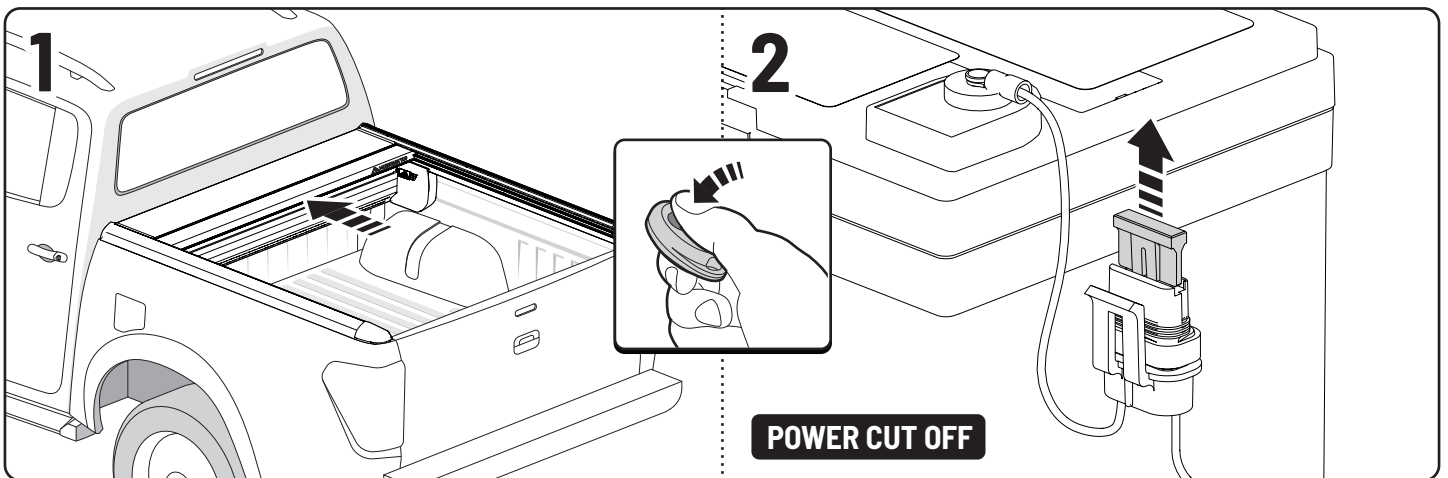
# 7 BELT ADJUSTMENT



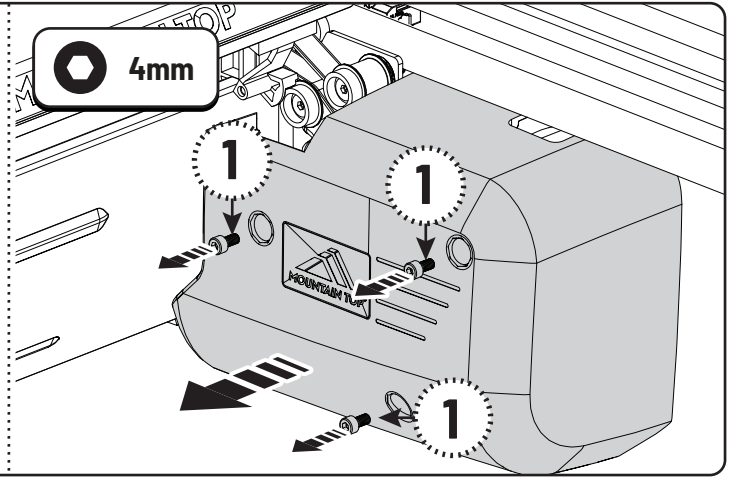
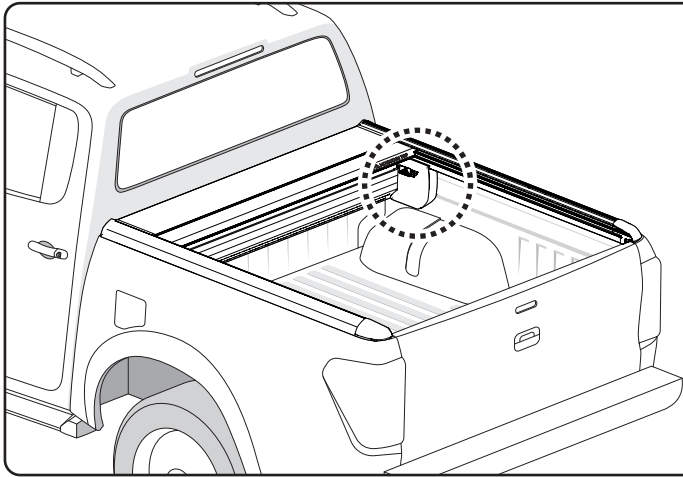
## STEP 1



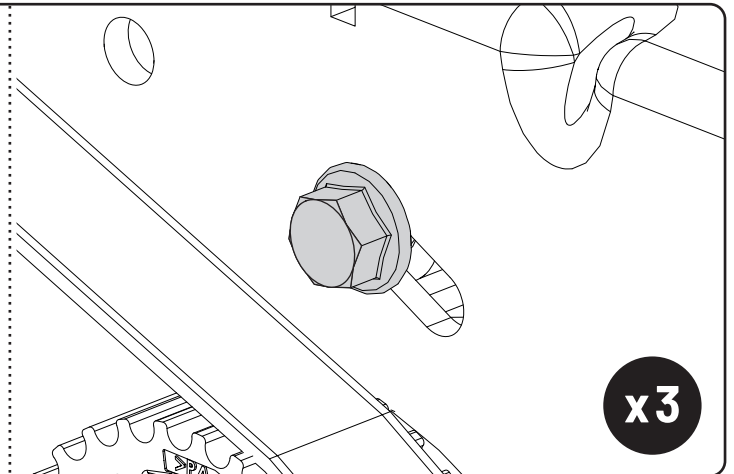
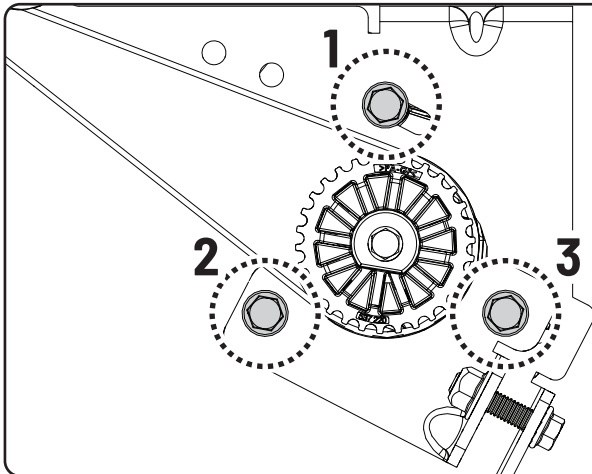
## STEP 2



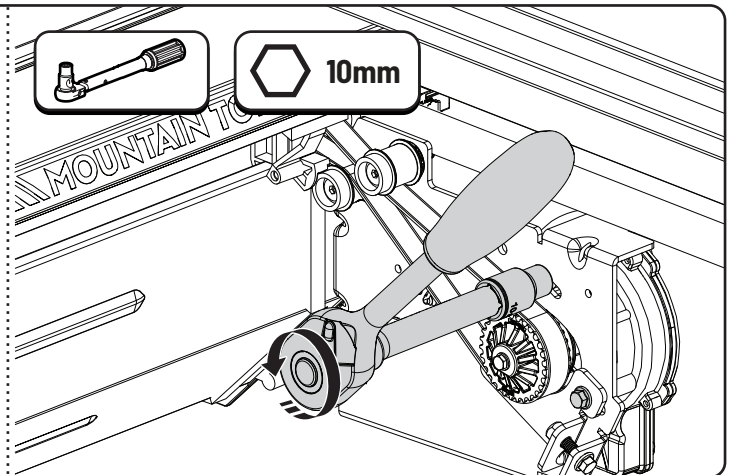
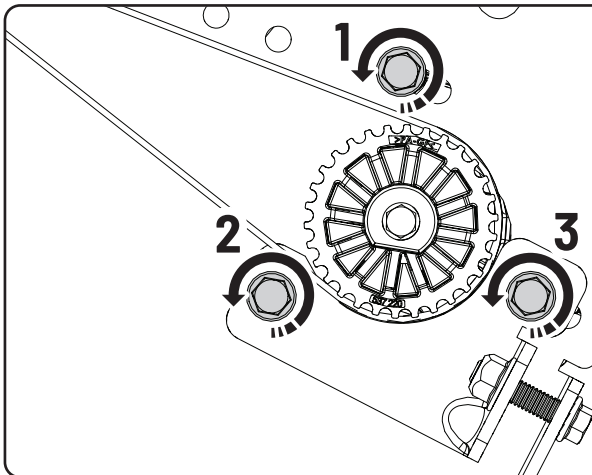
## STEP 3



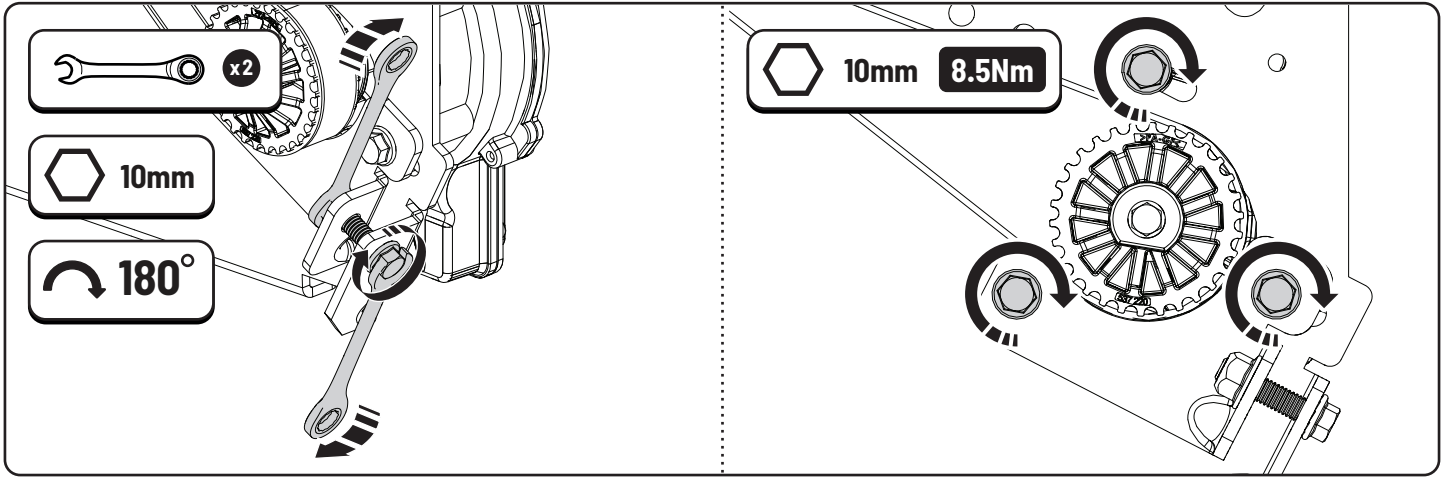
**STEP 4**



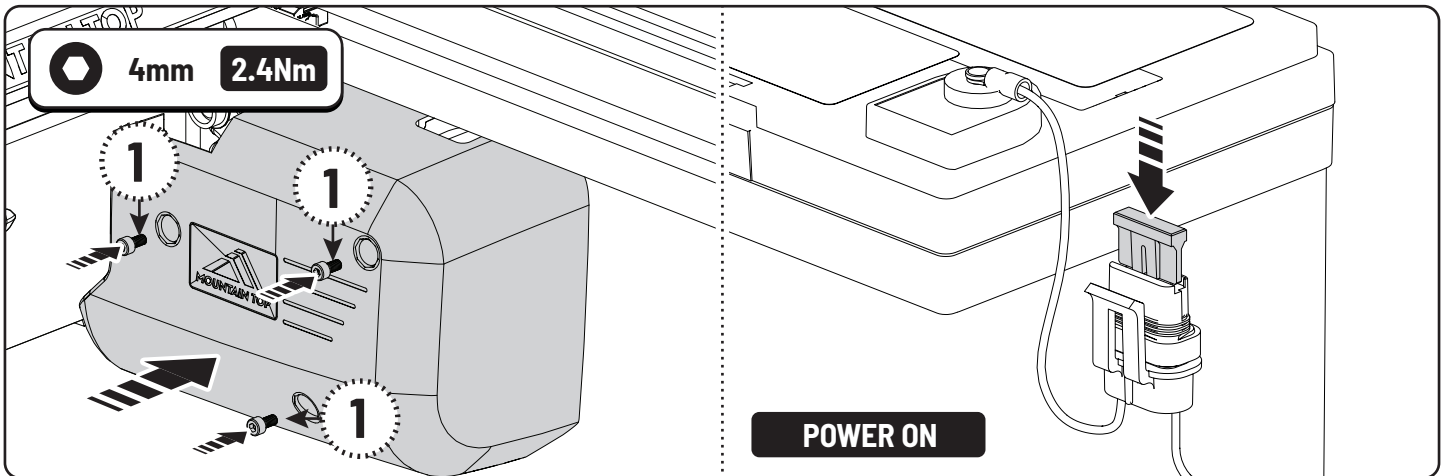
**STEP 5**



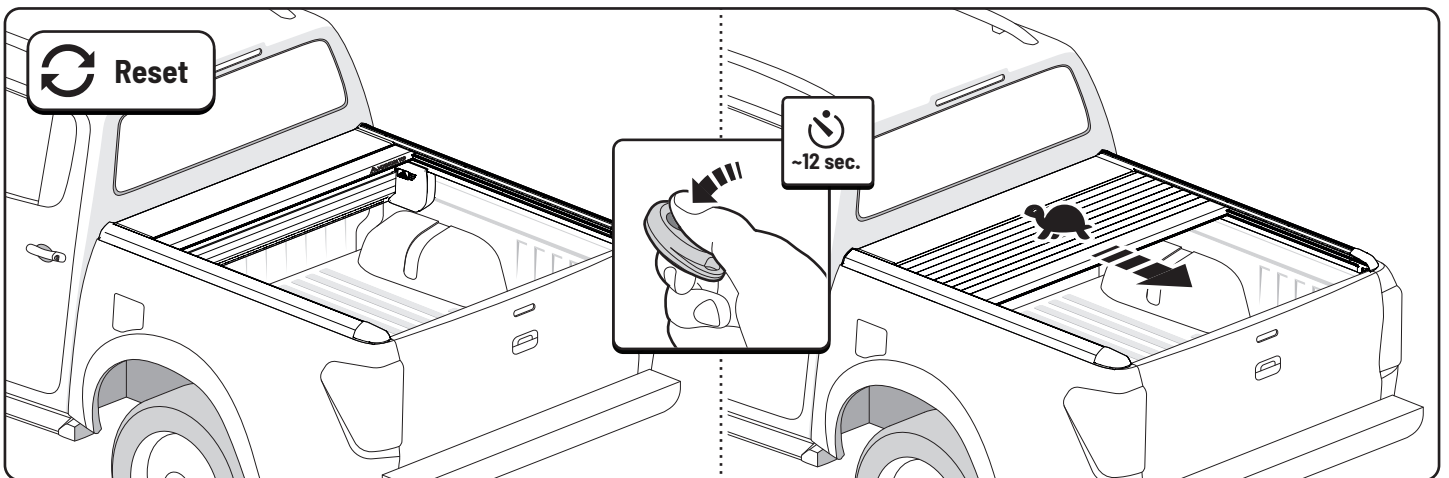
**STEP 6**



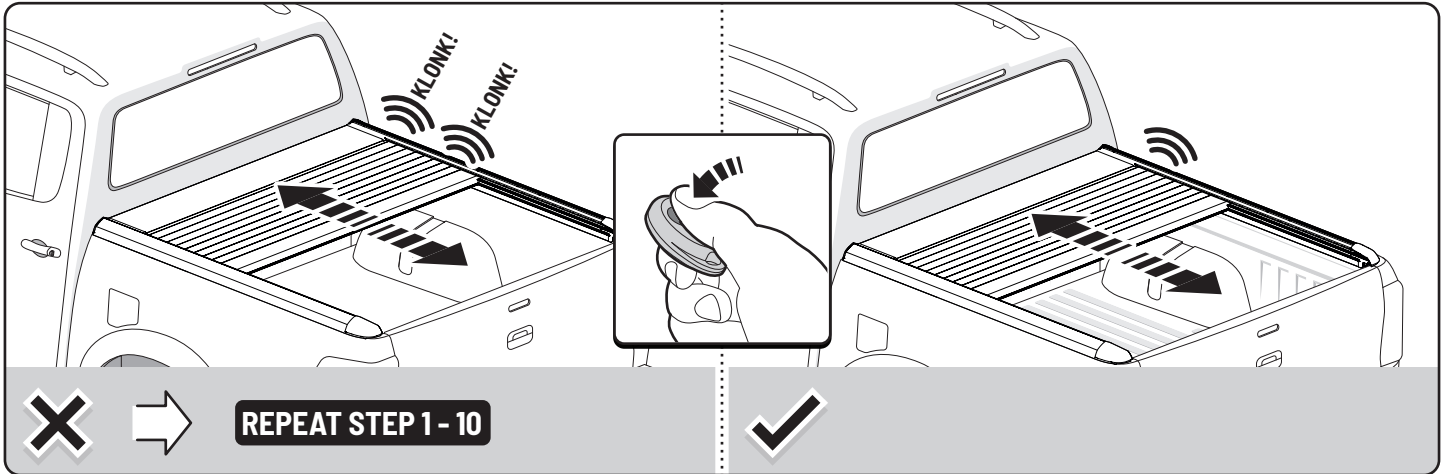
**STEP 7**



**STEP 8**

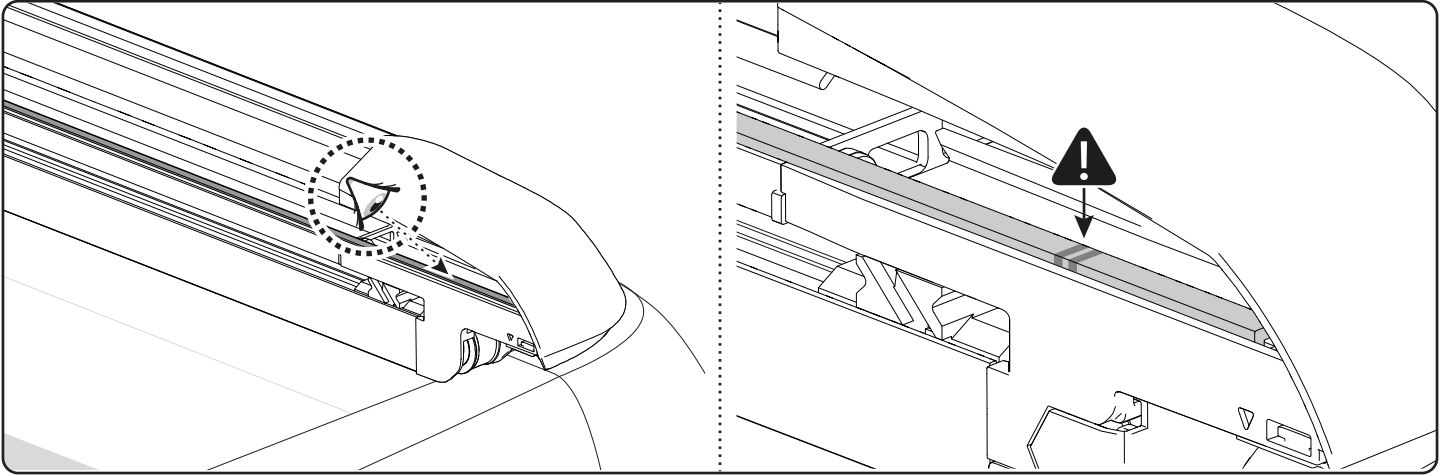


**STEP 9**



## STEP 10

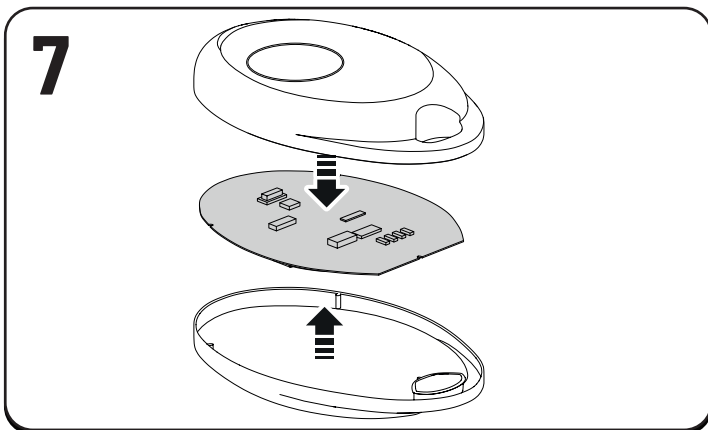
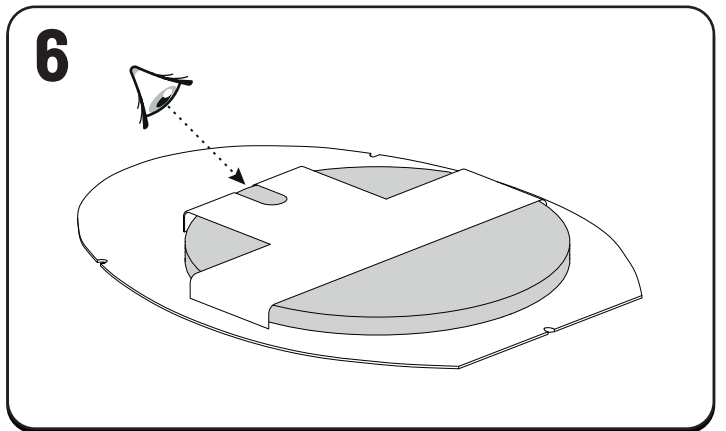
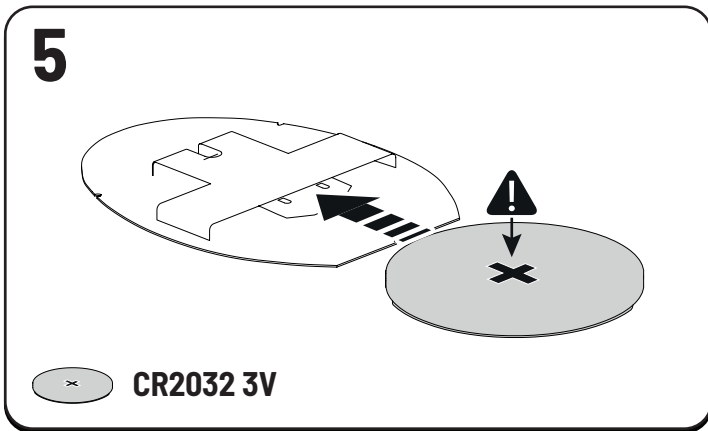
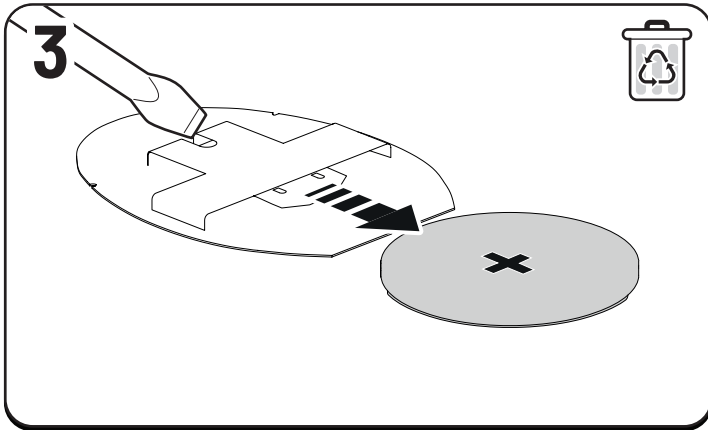
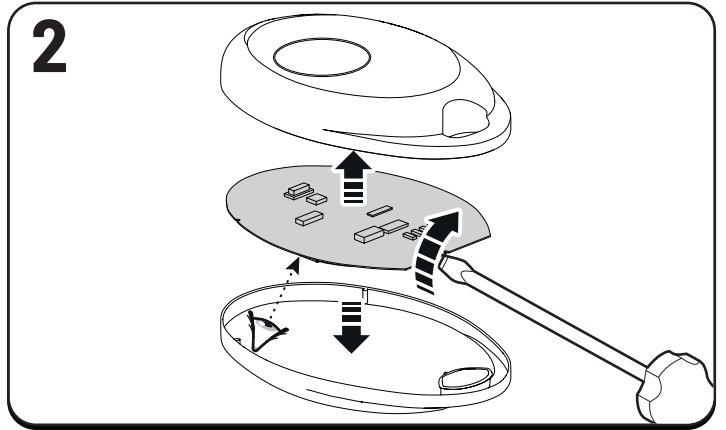
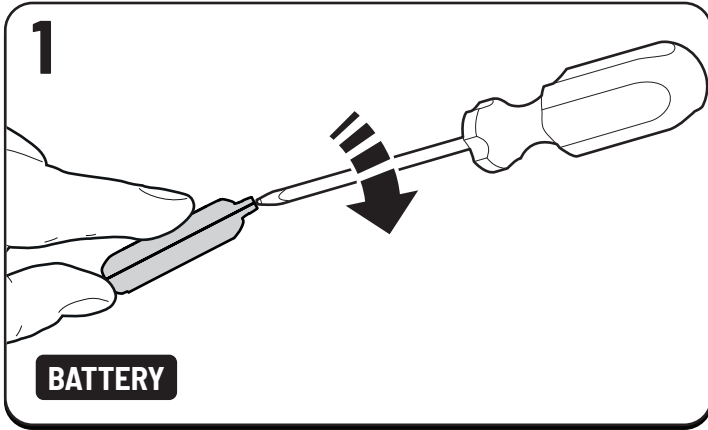
- If operation of the roll cover is not improved after tightening the belt drive, or abnormal sounds persists, refer to section **Check glide rails maintenance** on page 22.

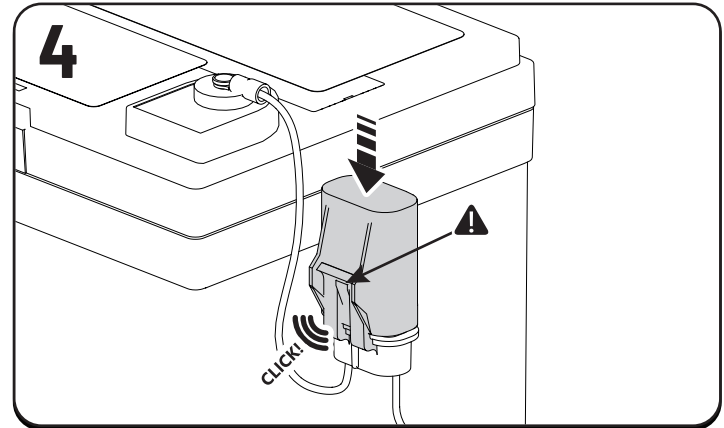
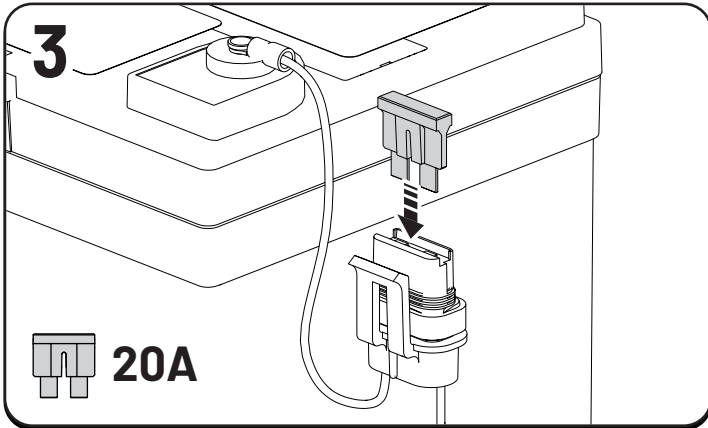
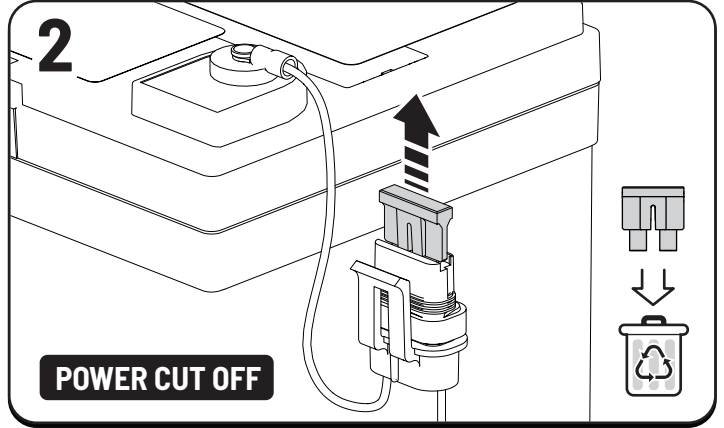
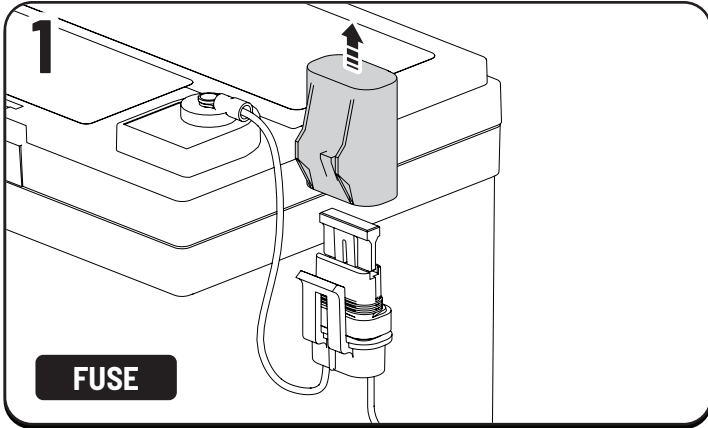
**8****CHECK GLIDE RAILS MAINTENANCE**

- If abnormal sounds occur during operation of the roll cover, inspect the glide rails for debris or damage. If the glide rails are damaged or worn, then replacement glide rails are needed.

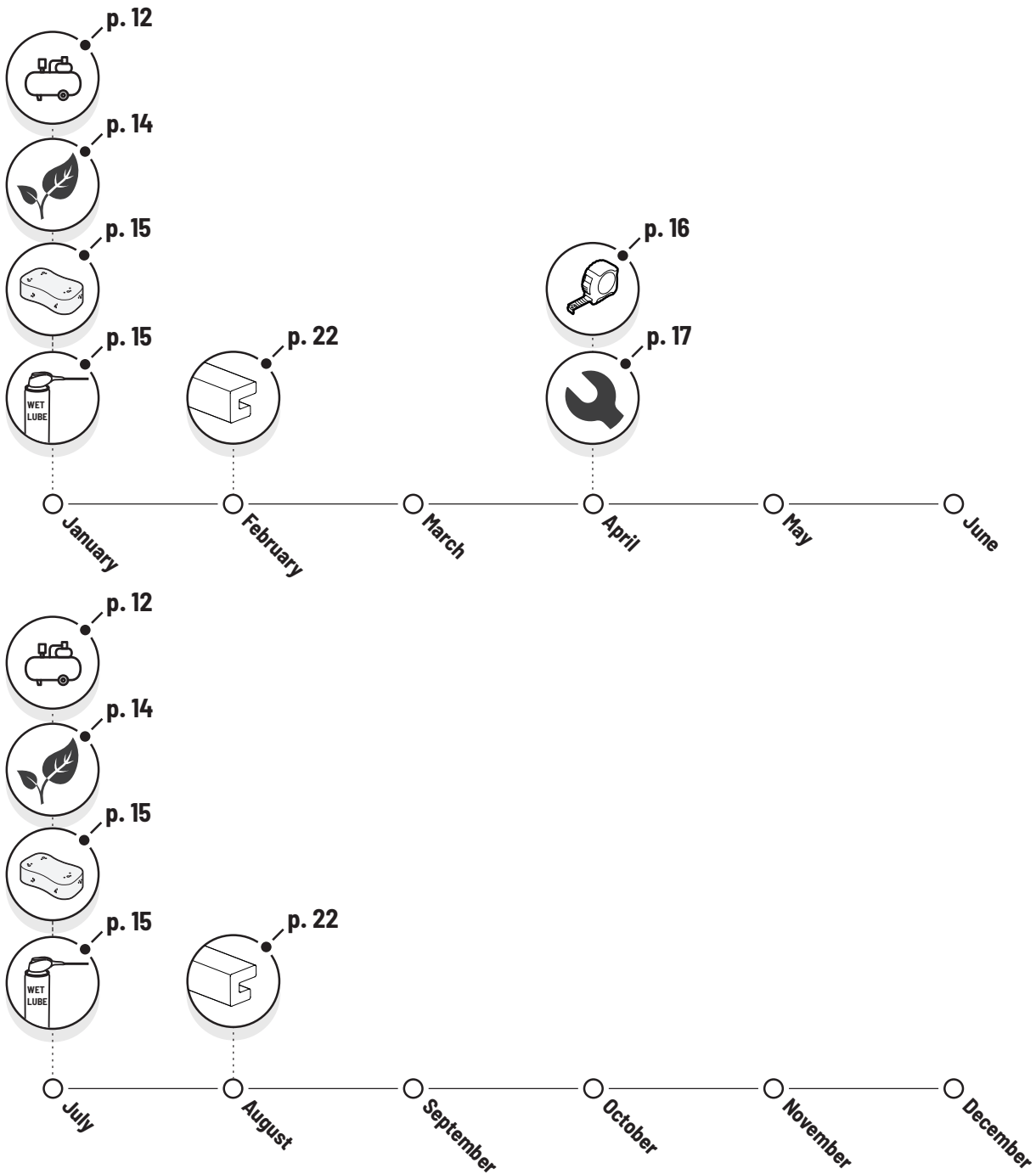


# 9 REPLACE PARTS





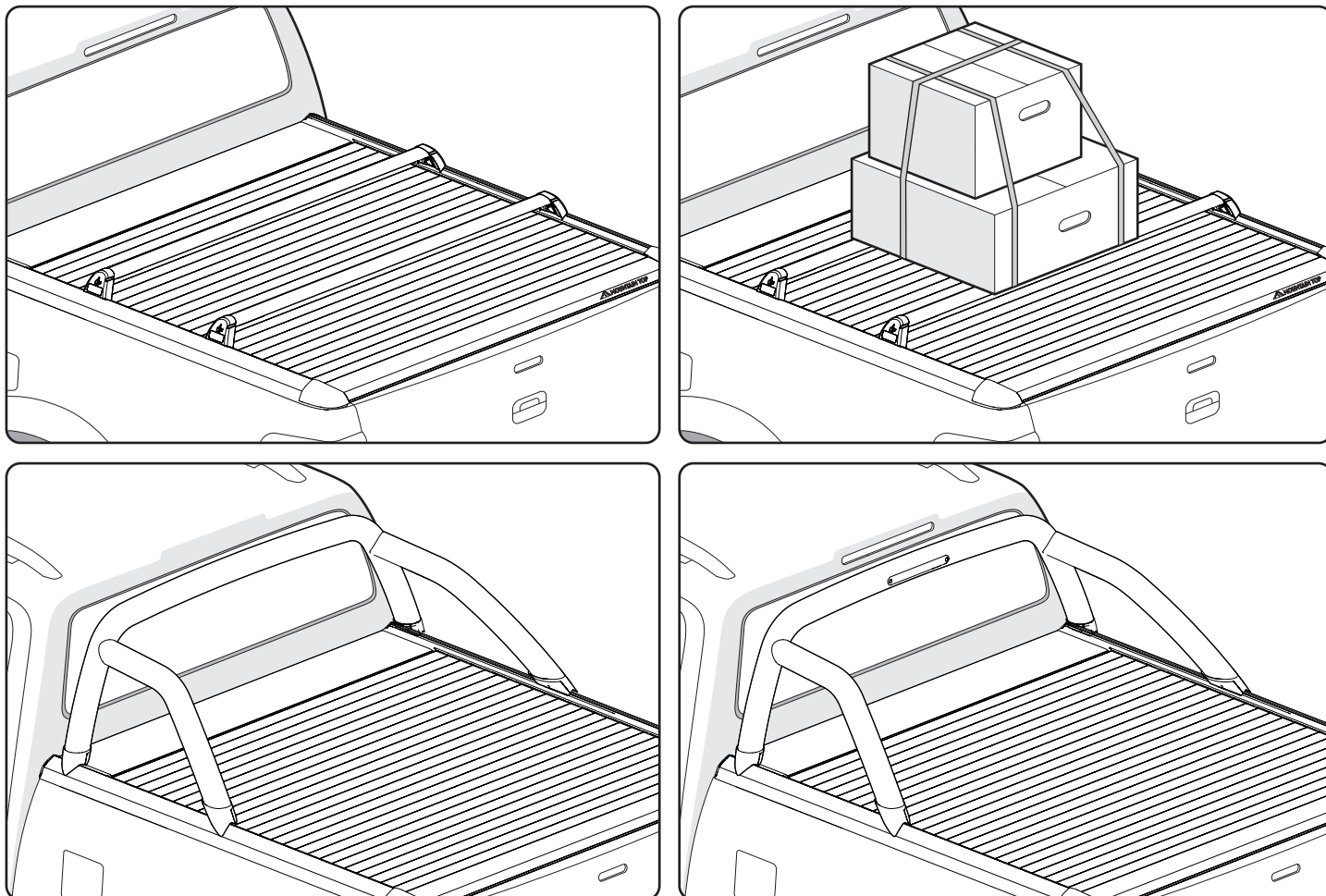
# 10 SERVICE



Recommended part change	Km	Years
Side profiles	100.000	3
Rear profiles	200.000	5

- Maintenance requirements and frequency depend on the actual usage of the roll cover and the environments and elements that it is exposed to.
- Clean and lubricate the cover accordingly to ensure the best possible operation and function.

## ACCESSORIES



- Mountain Top Cargo Carrier combined load capacity of 75 Kg.
- Mountain Top Sports Bar available in 2 versions; with and without brakelight.
- See more accessories and spareparts [www.mountaintop.dk](http://www.mountaintop.dk).



Type of Maintenance	Date	Done by



Customer Service	+45 4810 2950 (08:00 - 16:00 CET)
Support	info@mountaintop.dk
Website	www.mountaintop.dk
Address	Pedersholmparken 10, 3600 Frederikssund, Denmark



Scan for more  
information