

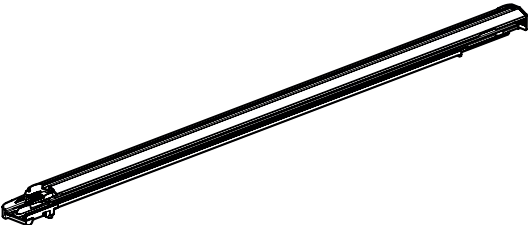
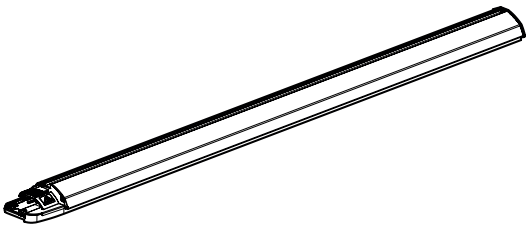
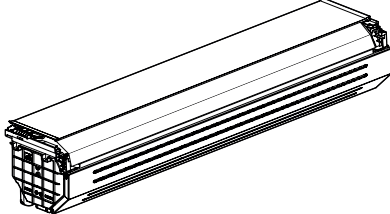
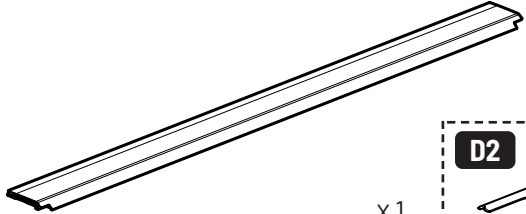

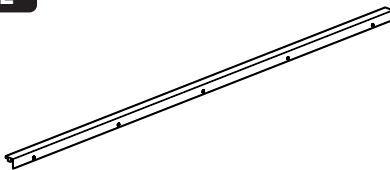
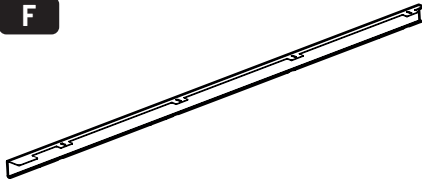
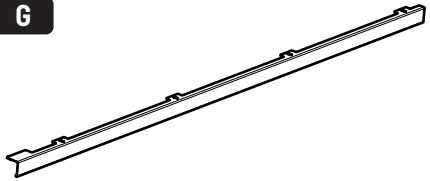
# MOUNTAIN TOP® EVOm ROLL COVER

Installation manual

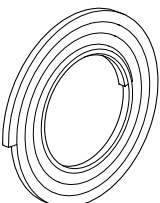
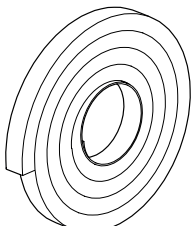
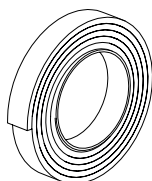


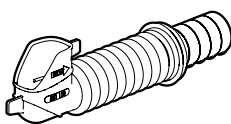

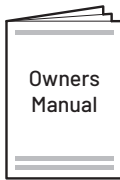


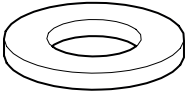
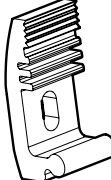
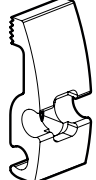
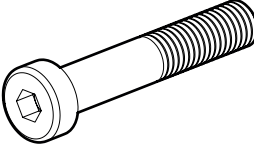
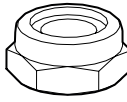
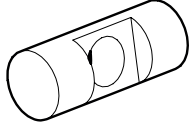
DOWNLOAD PDF

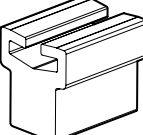
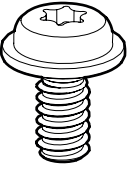
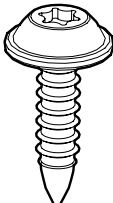

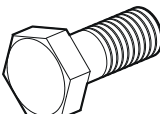
Parts

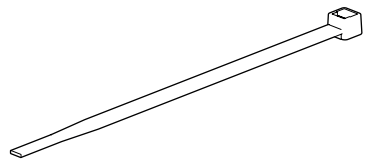
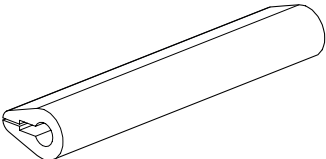
<p><b>A</b></p>  <p>x1</p>	<p><b>B</b></p>  <p>x1</p>	
<p><b>C</b></p>  <p>x1</p>	<p><b>D</b></p>  <p>x1</p> <div data-bbox="1332 526 1516 649" style="border: 1px dashed black; padding: 2px;"> <p><b>D2</b></p>  <p>x1</p> </div>	
<p><b>E</b></p>  <p>x1</p>	<p><b>F</b></p>  <p>LEFT</p> <p>x1</p>	<p><b>G</b></p>  <p>RIGHT</p> <p>x1</p>

Parts

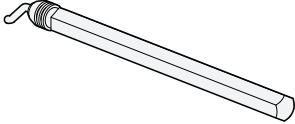
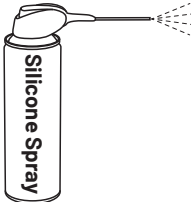

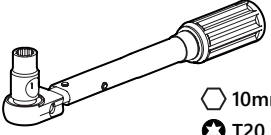
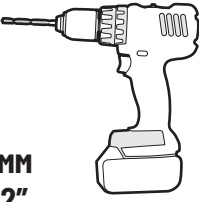
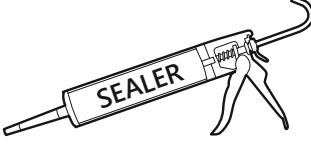
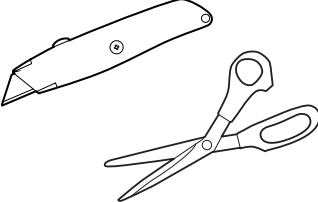
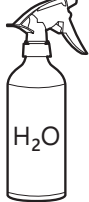
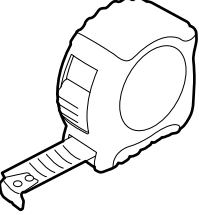
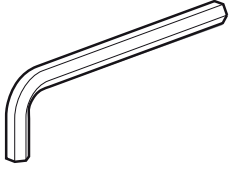
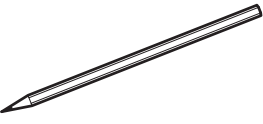

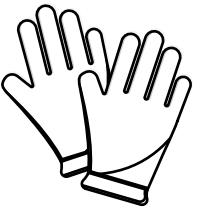
<p><b>H</b></p>  <p>x1</p>	<p><b>I</b></p>  <p>x2</p>	<p><b>J</b></p>  <p>x1</p>
<p><b>K</b></p>  <p>LEFT</p> <p>x1</p>	<p><b>L</b></p>  <p>RIGHT</p> <p>x1</p>	<p><b>M</b></p>  <p>x2</p>
<p></p> <p>Manual</p> <p>x1</p>		<p></p> <p>Owners Manual</p> <p>x1</p>

Kit		
<b>N</b>  x8	<b>O</b>  x8	<b>P</b>  x8
<b>Q</b>  x8	<b>R</b>  x8	<b>S</b>  x8

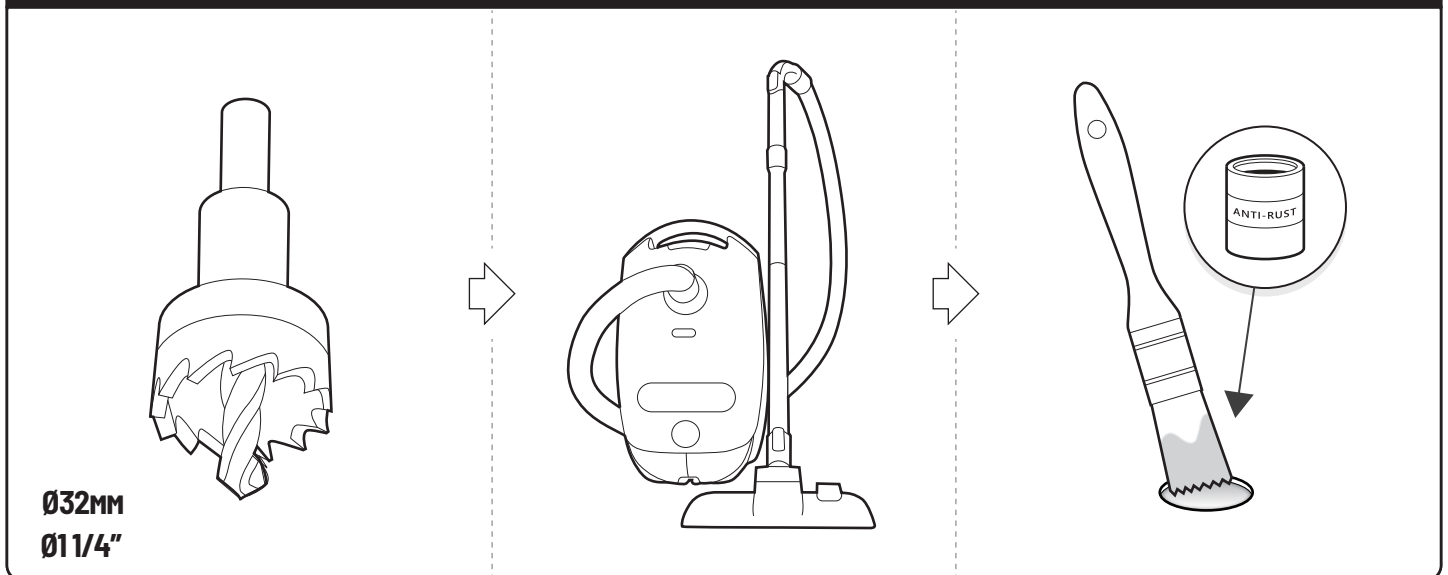
Kit		
<b>T</b>  x4	<b>U</b>  x4	
<b>W</b>  x5	<b>V</b>  x8	<b>X</b>  x8

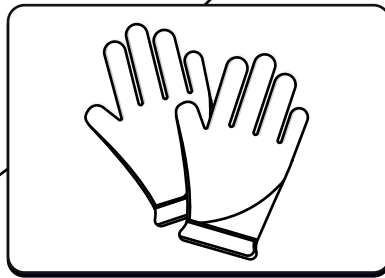
Kit	
<b>Y</b>  x2	<b>Z</b>  x2

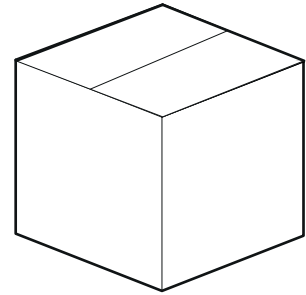
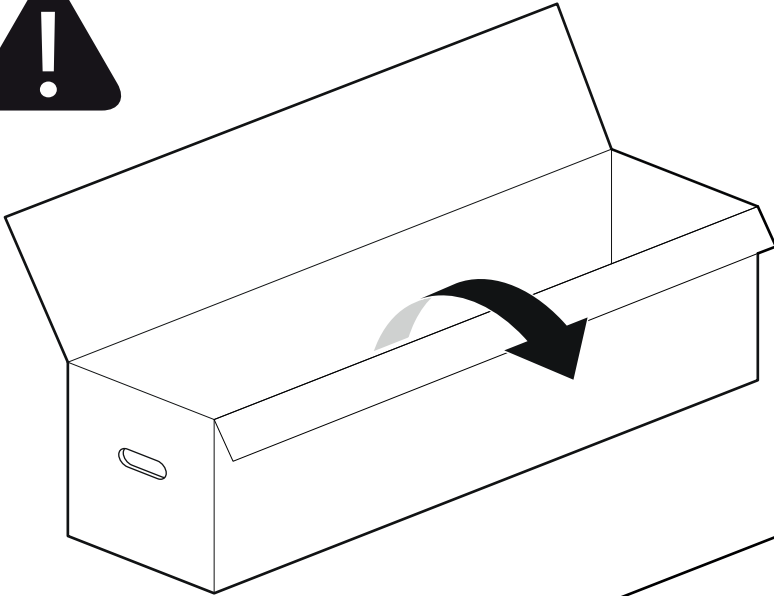
## Tools needed

	 <p>SILICONE</p>	 <p>ANTI-RUST RUST PROTECTION ROSTSCHUTZMITTEL ANTI-ROUILLE ANTI ROEST</p>	<p>1 - 25 Nm</p>  <ul style="list-style-type: none"> <li>⬡ 10mm</li> <li>⊛ T20</li> <li>⊛ T30</li> </ul>	
 <p>Ø2.4MM Ø3/32"</p>	 <p>SEALER</p>		 <p>H<sub>2</sub>O</p>	
	 <p>5 MM</p>		 <p>LOCTITE 243</p>	

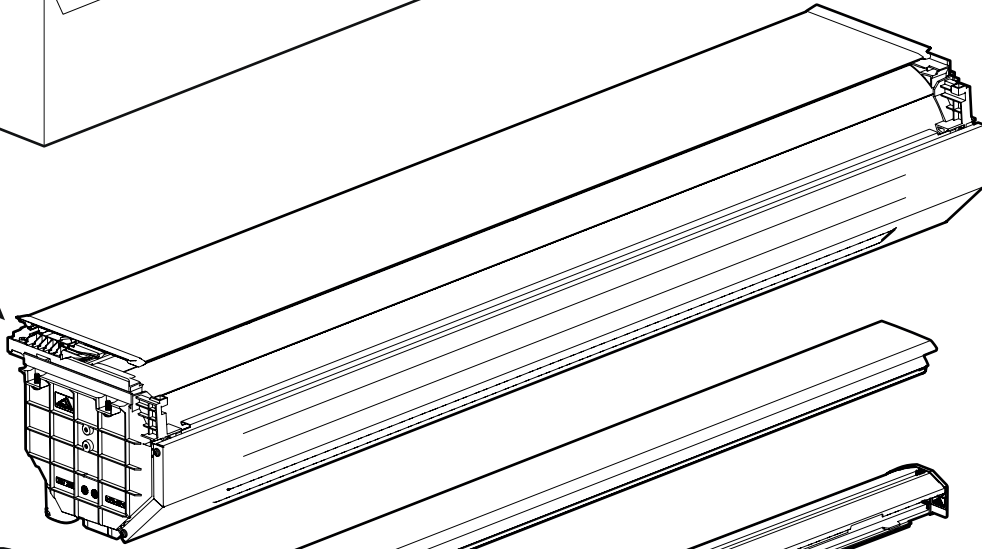
## Applying rust protection



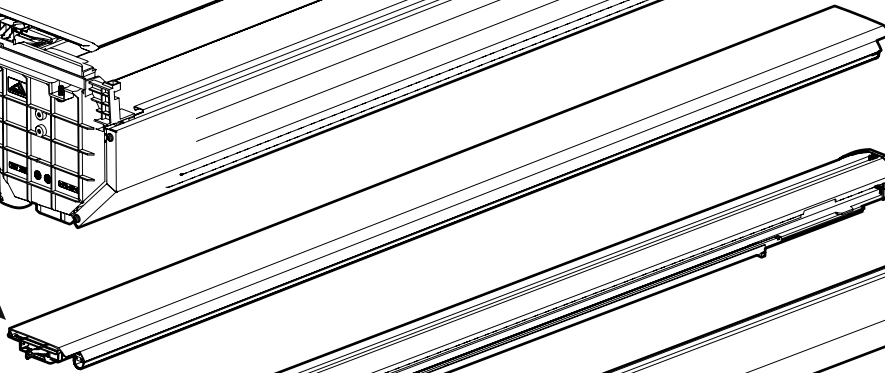




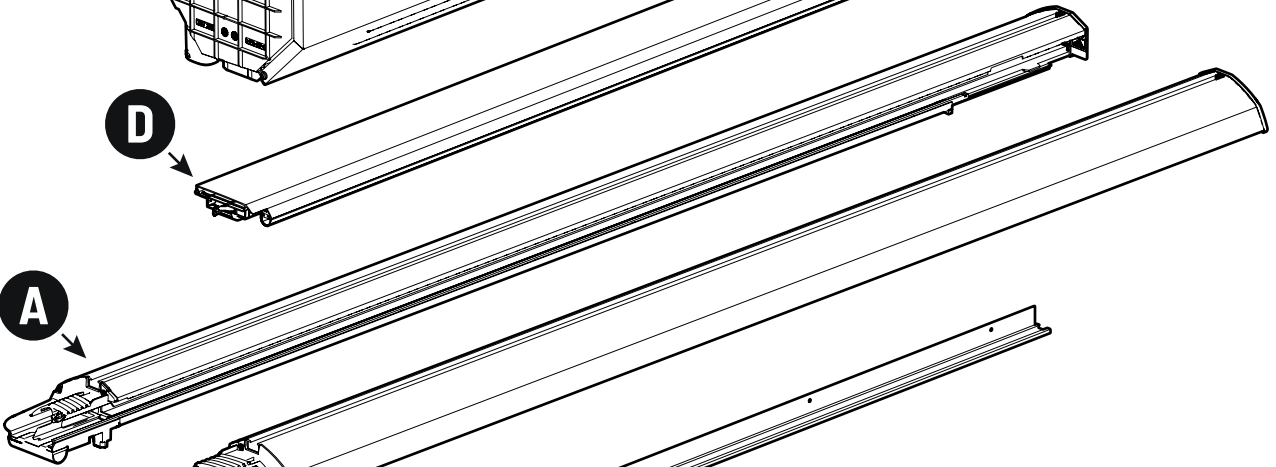
**C**



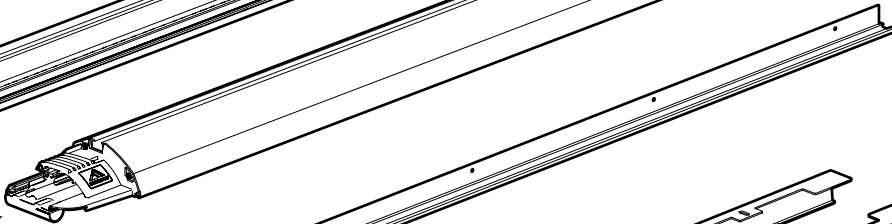
**D**



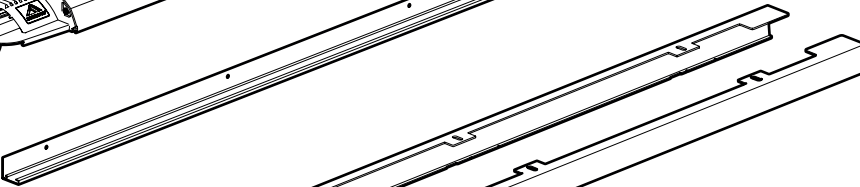
**A**



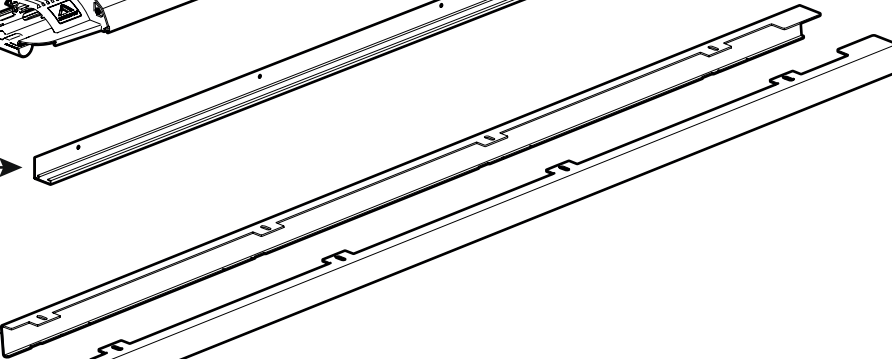
**B**



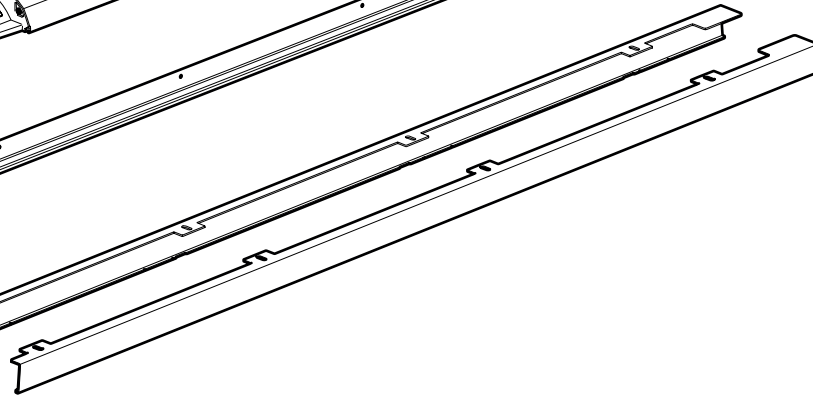
**E**



**G**



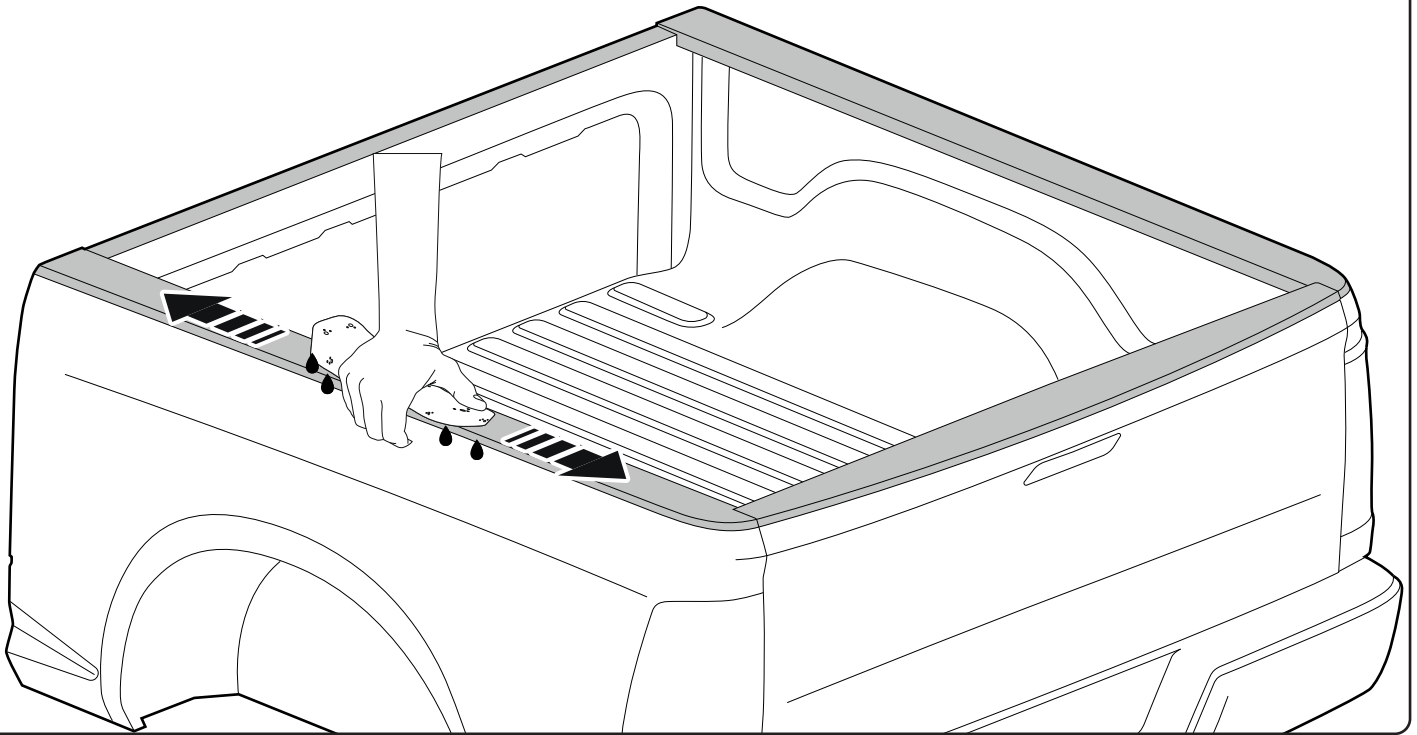
**F**



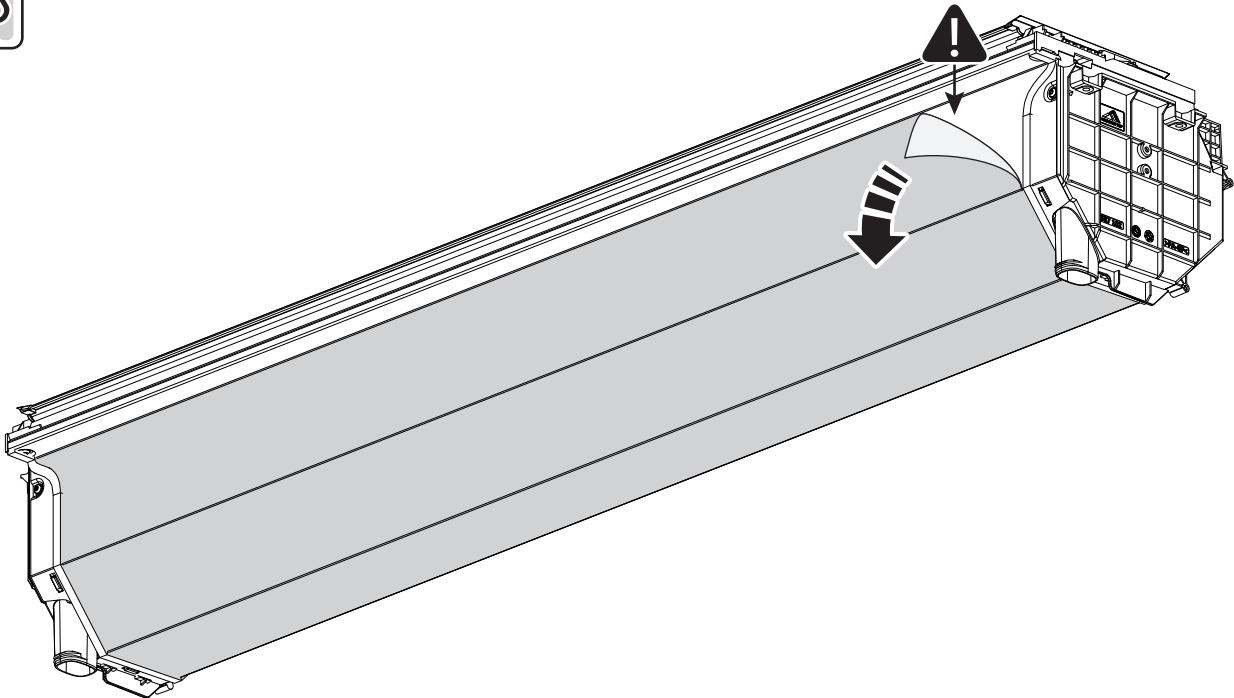


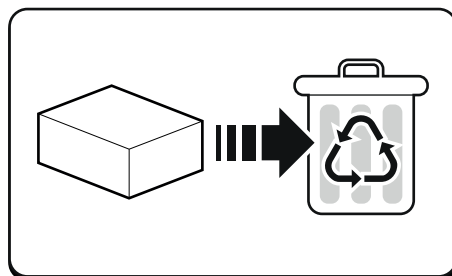
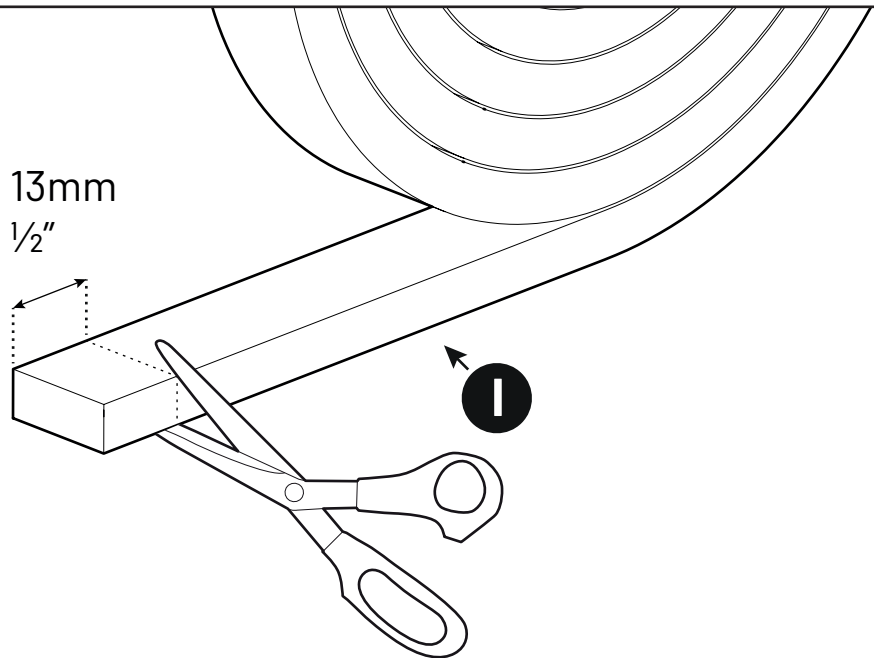
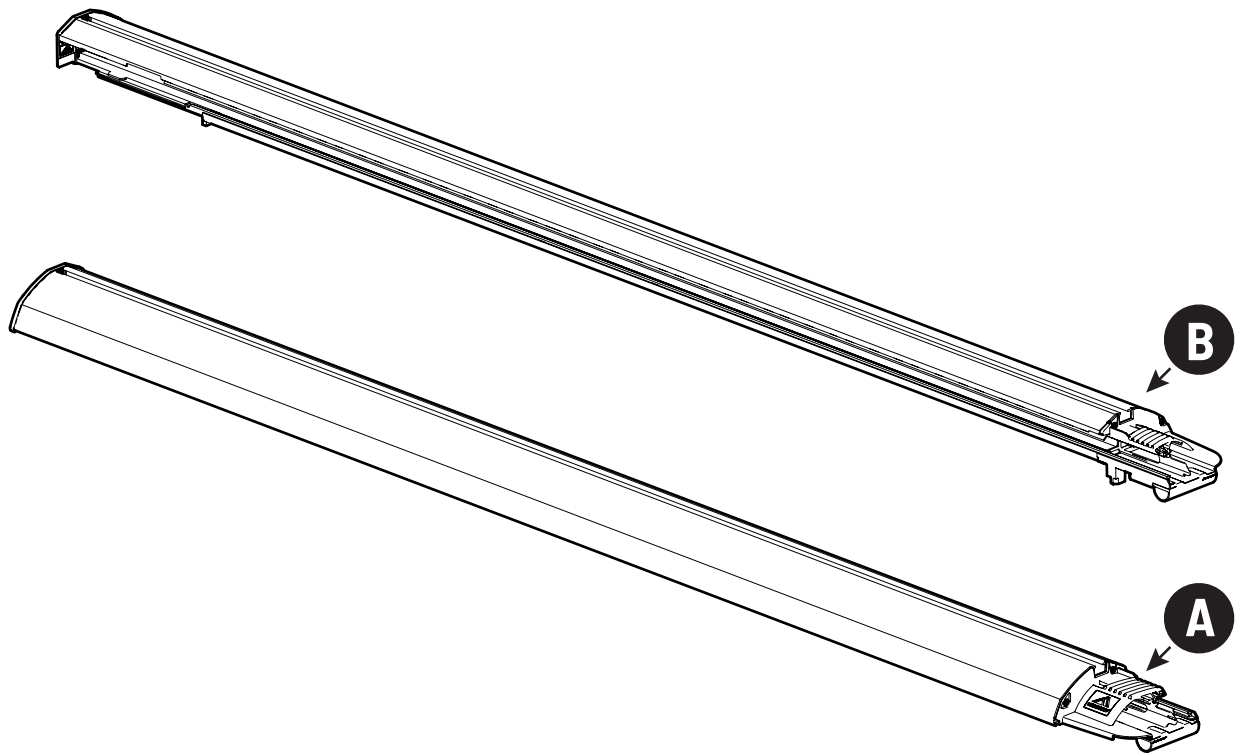
Water & sponge

2

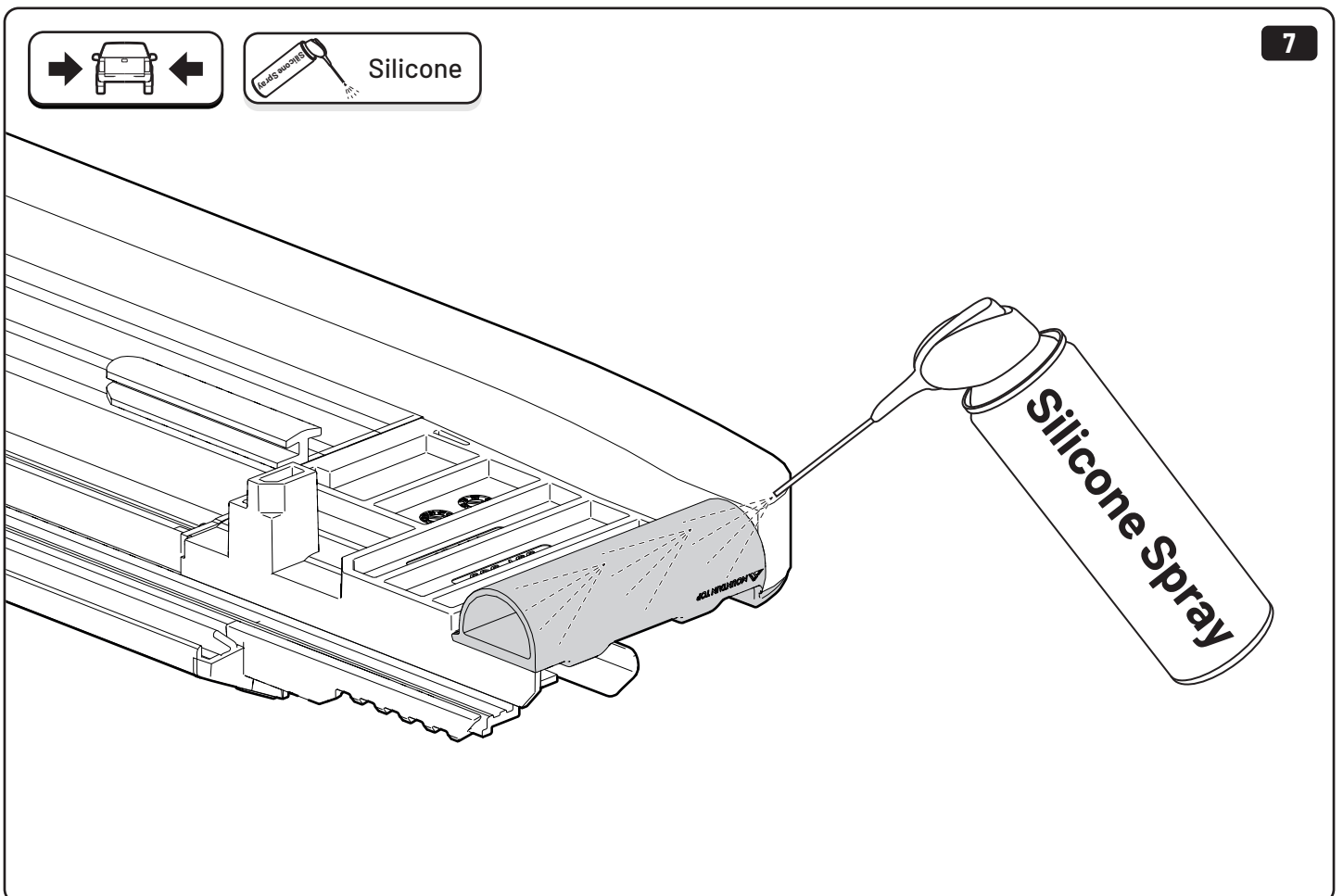
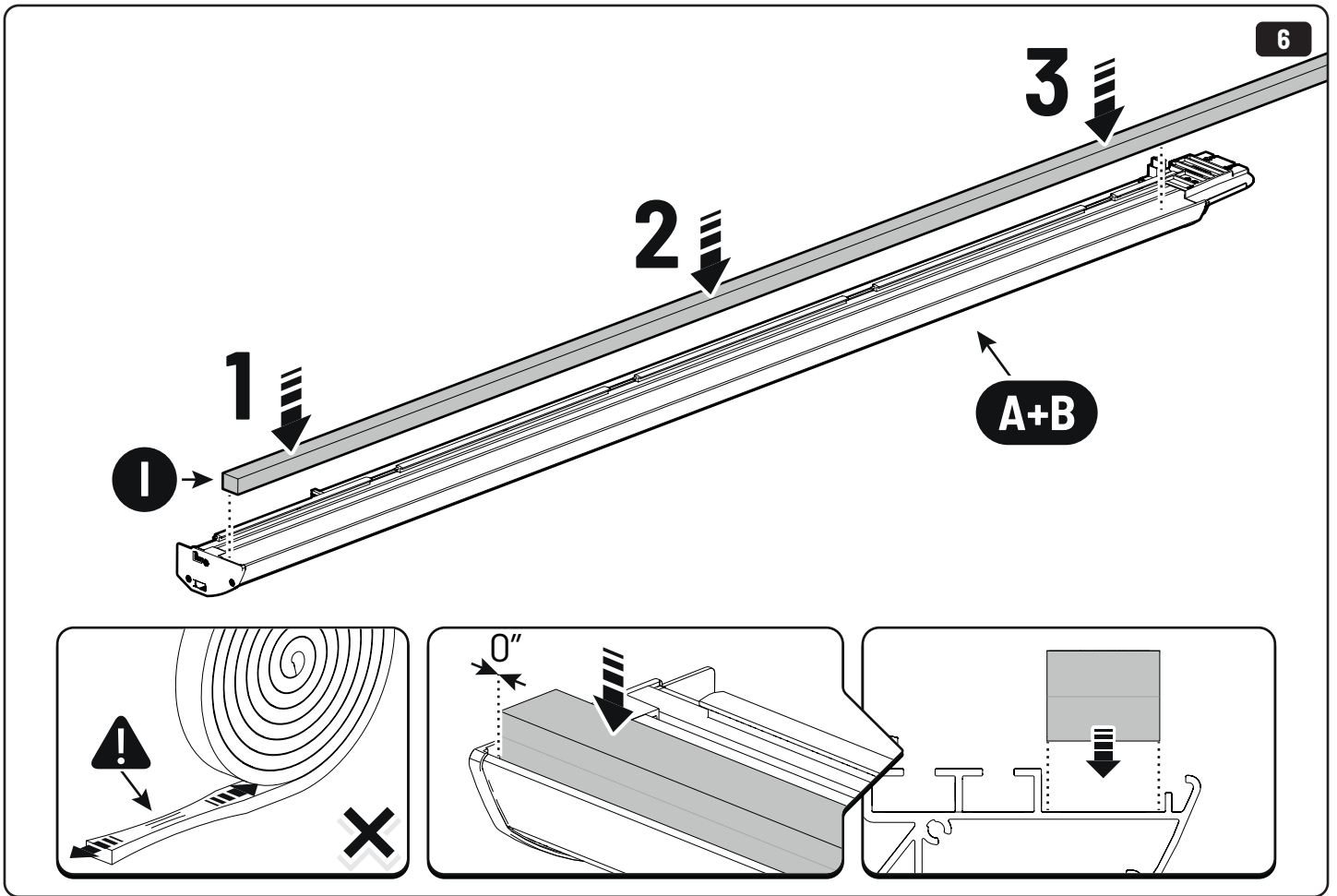


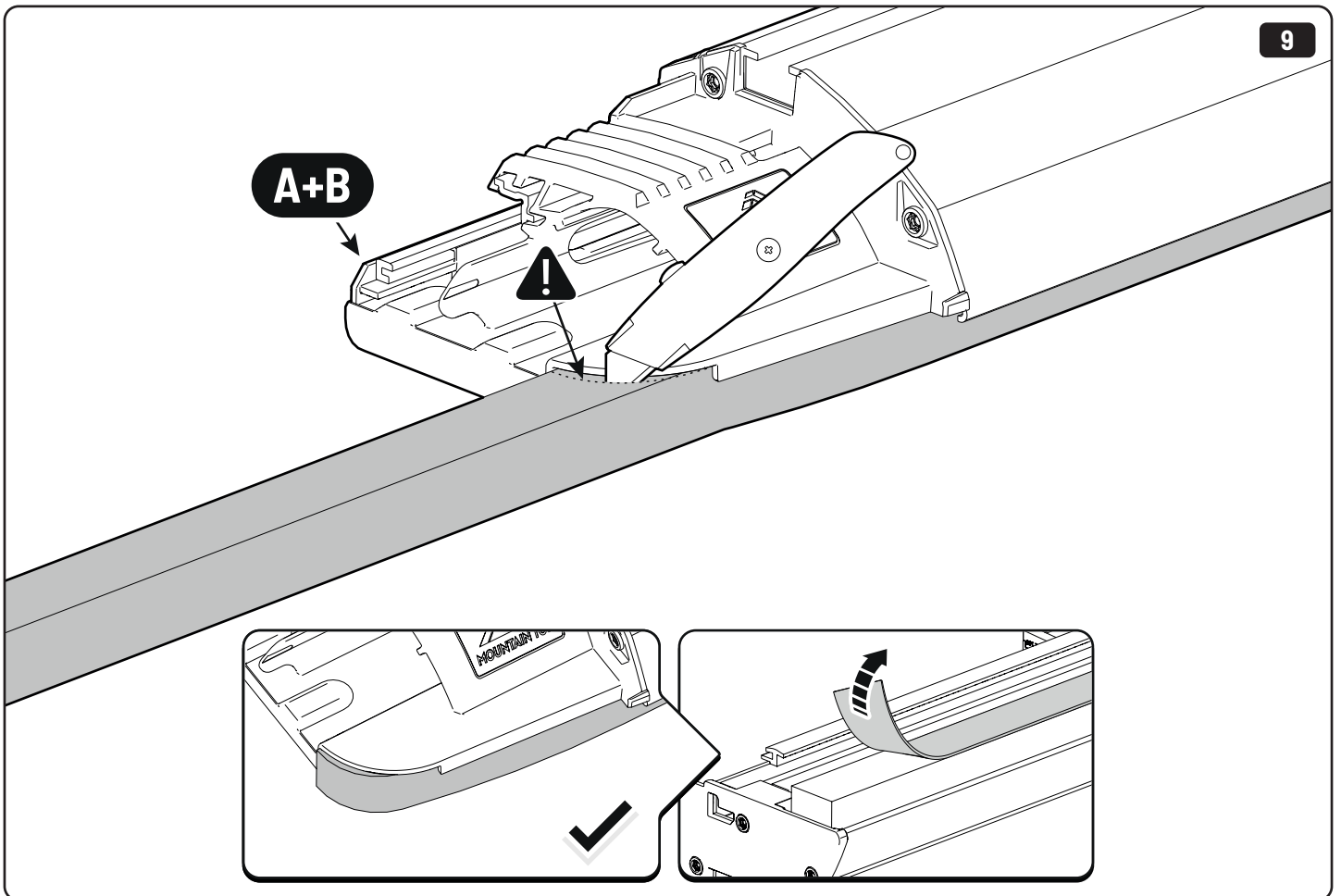
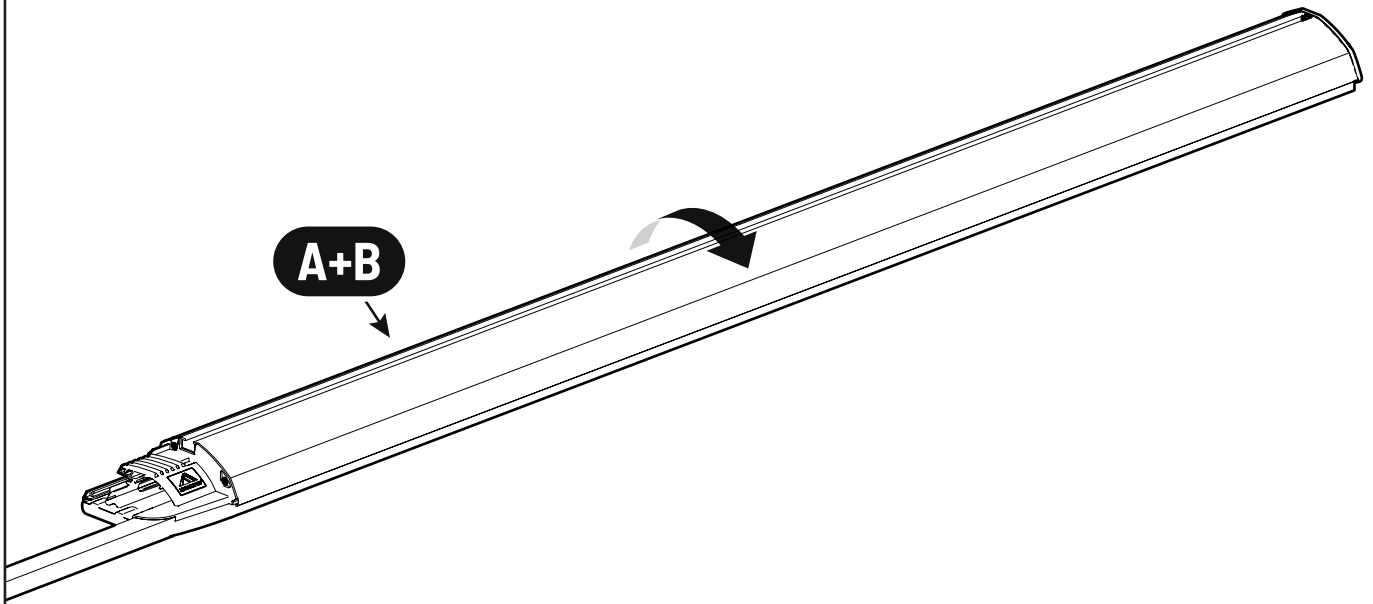
3

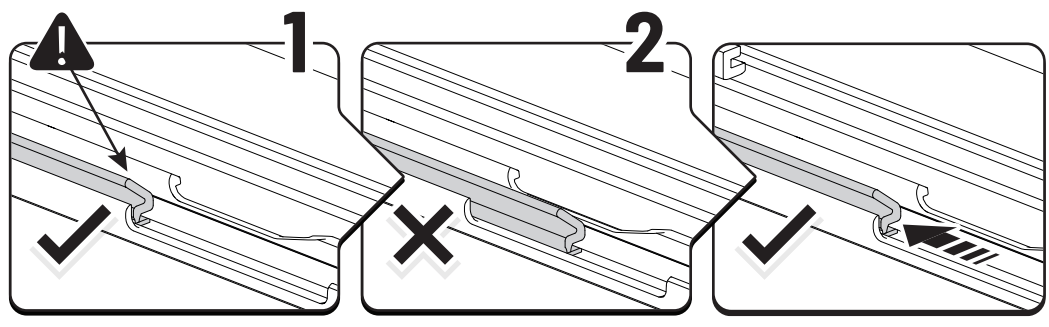
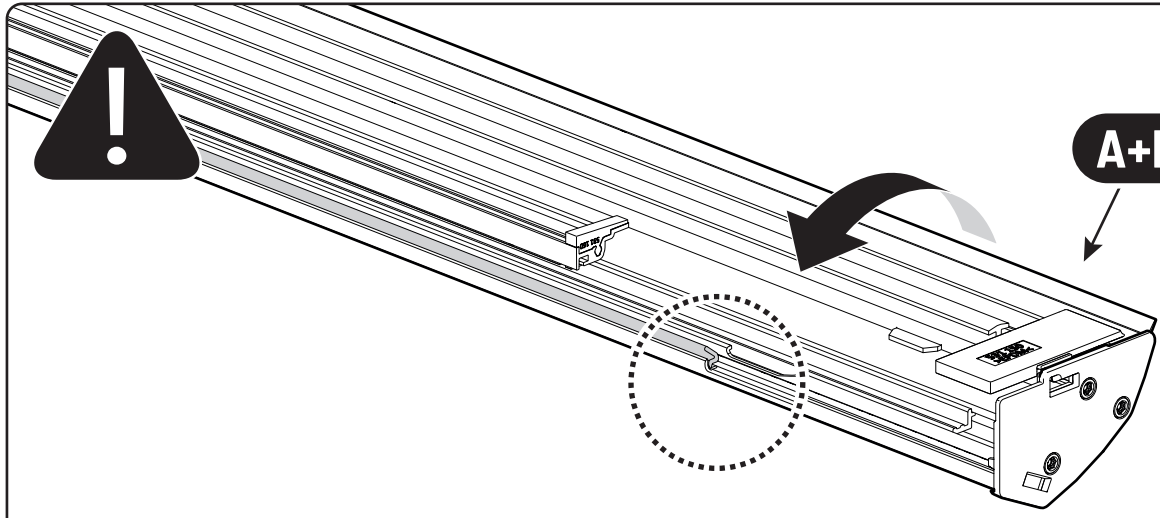
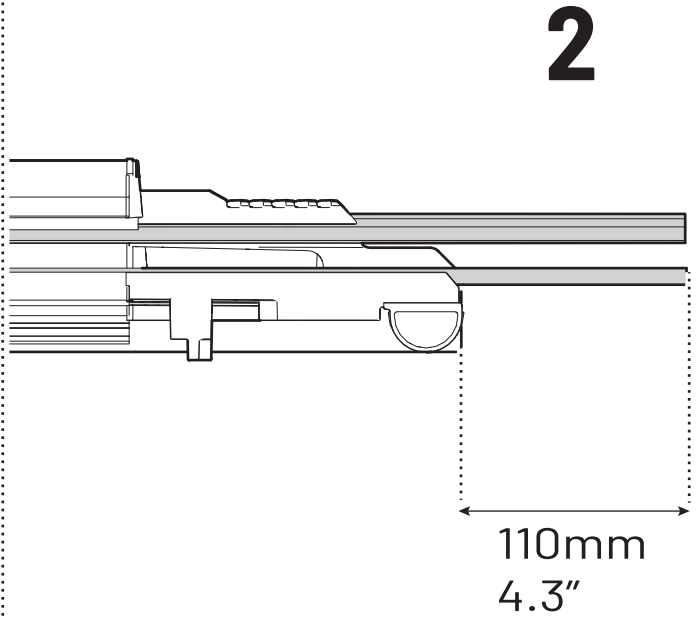
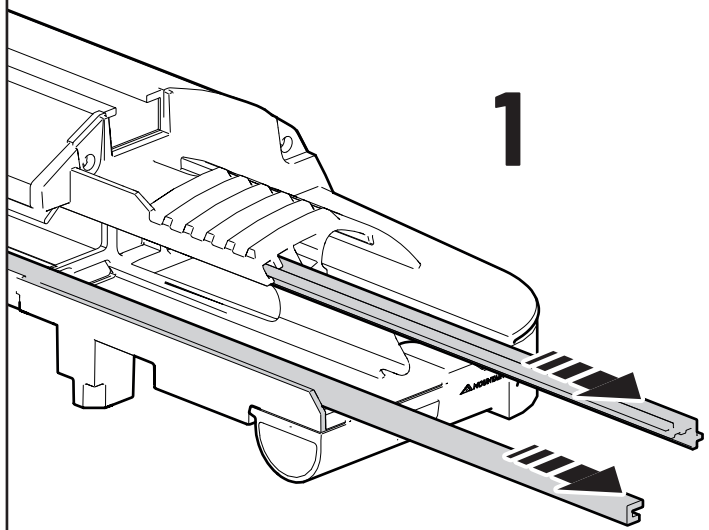


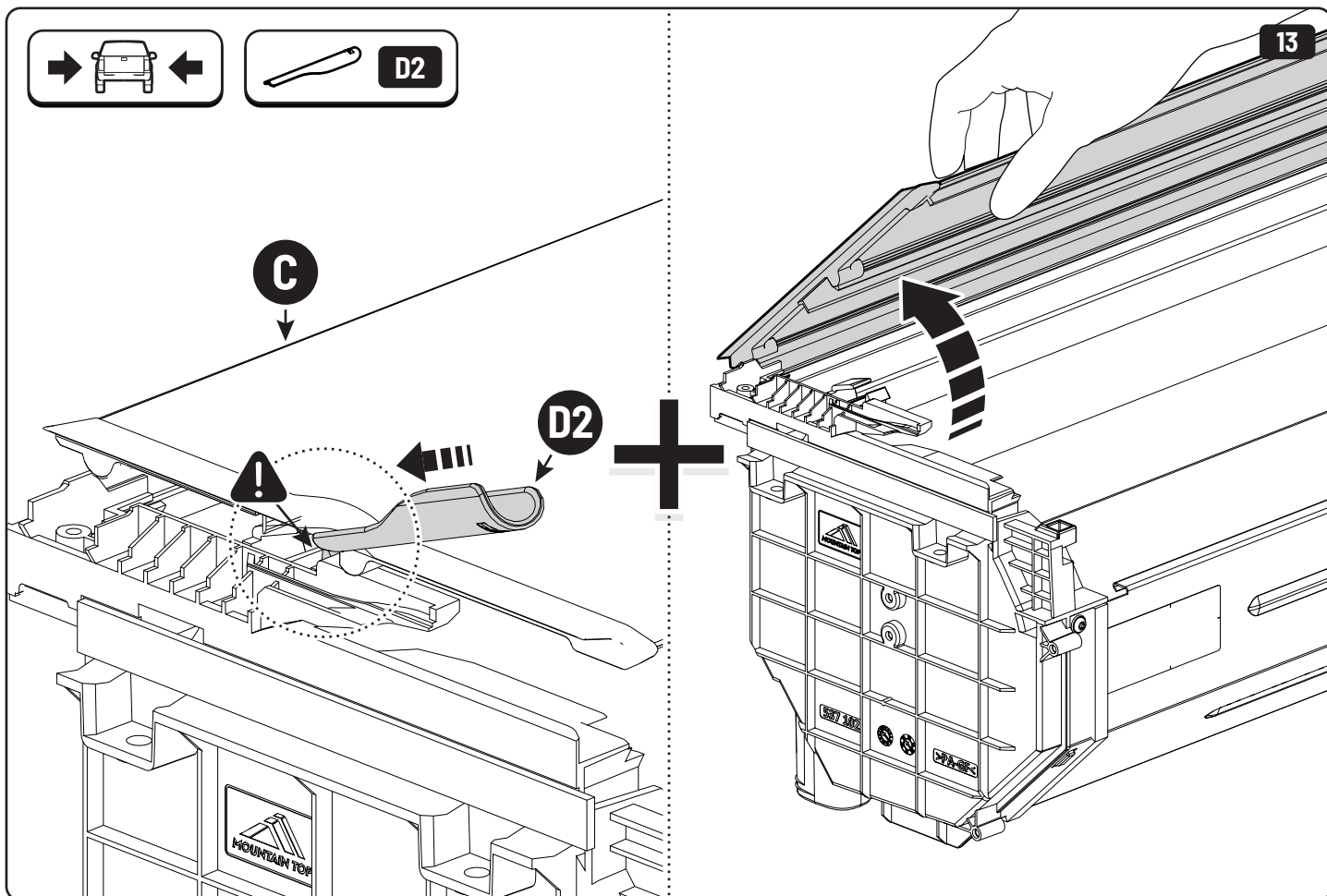
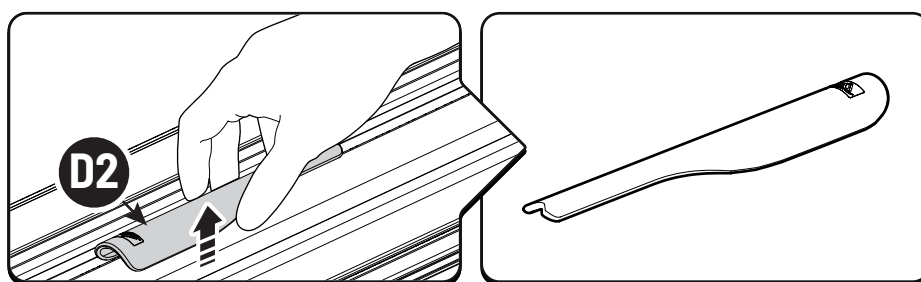
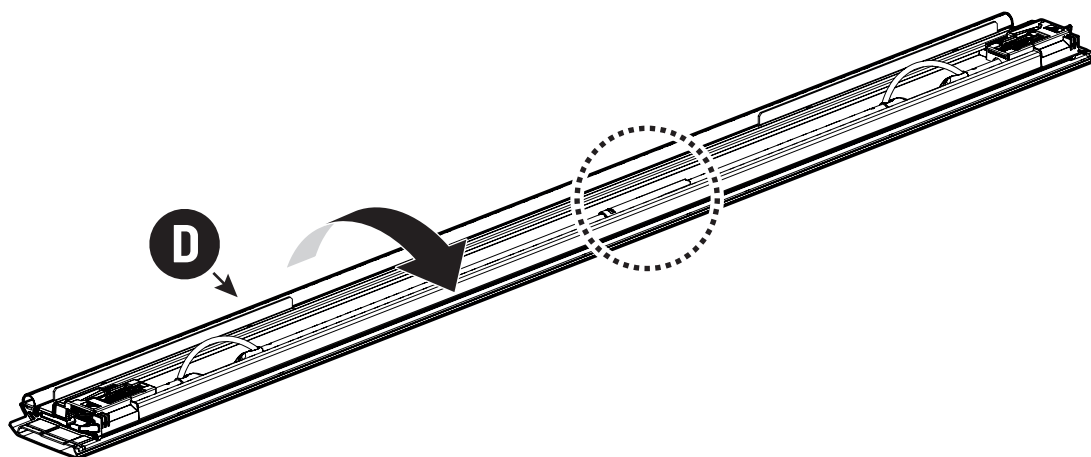


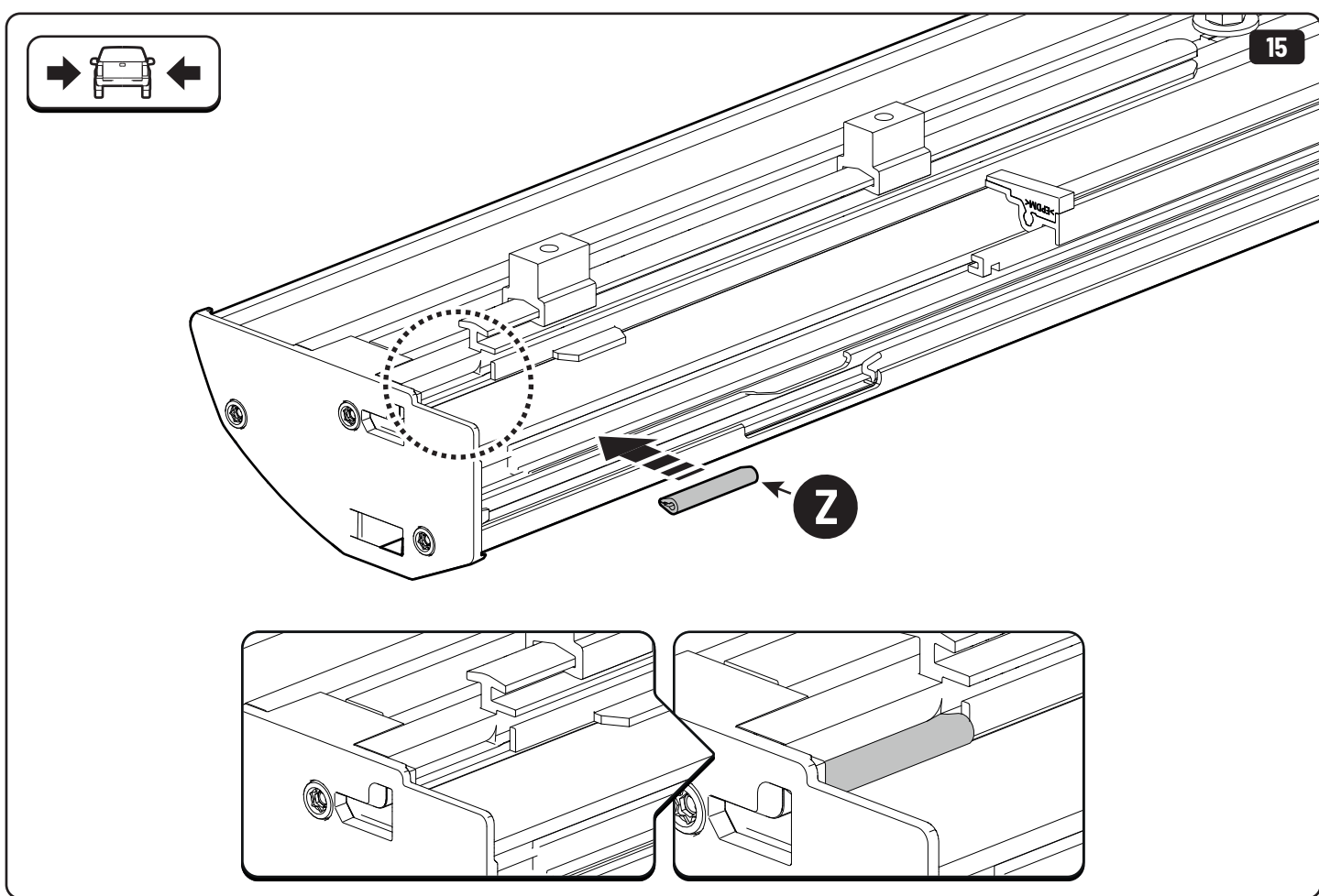
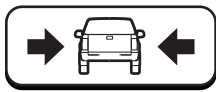
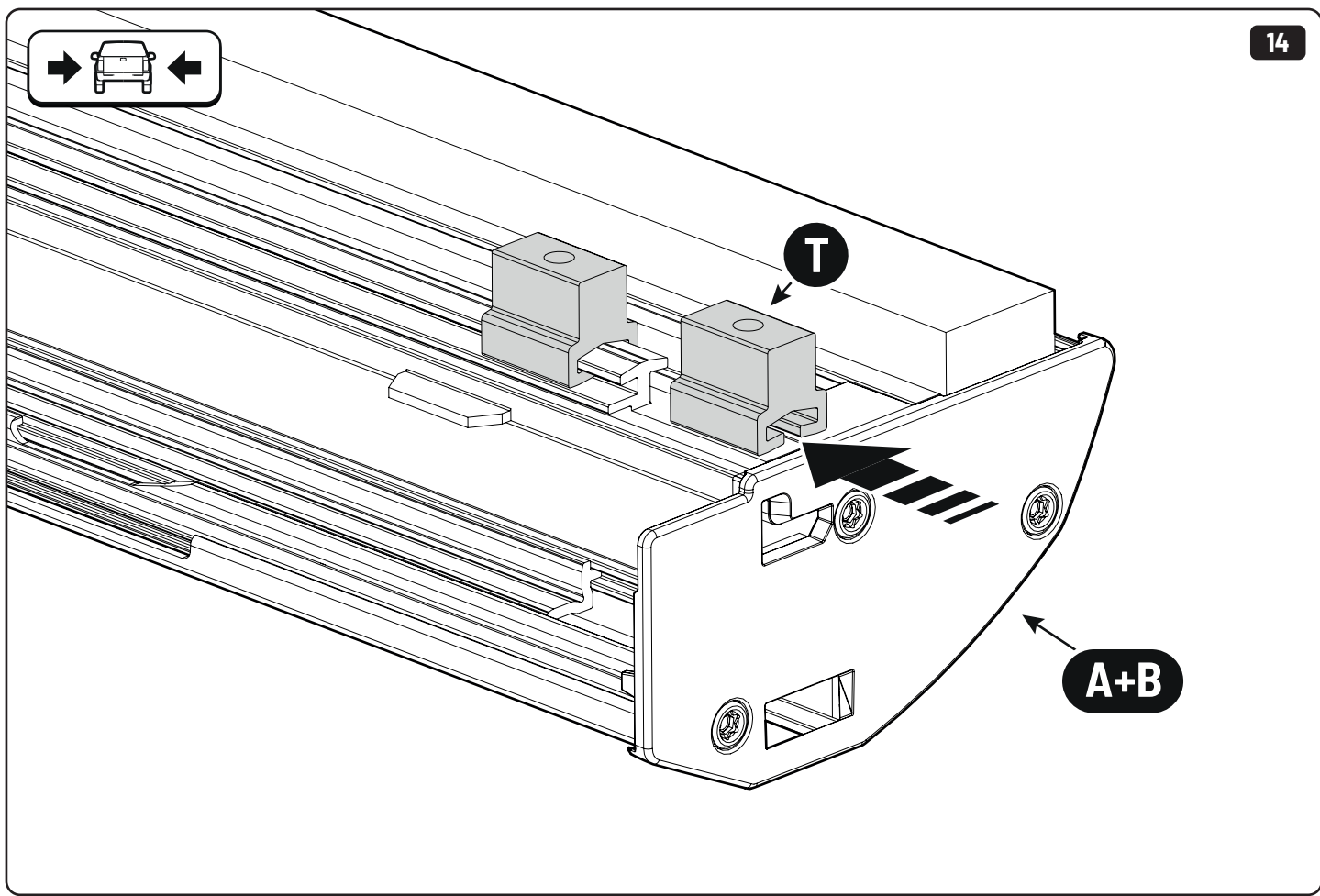


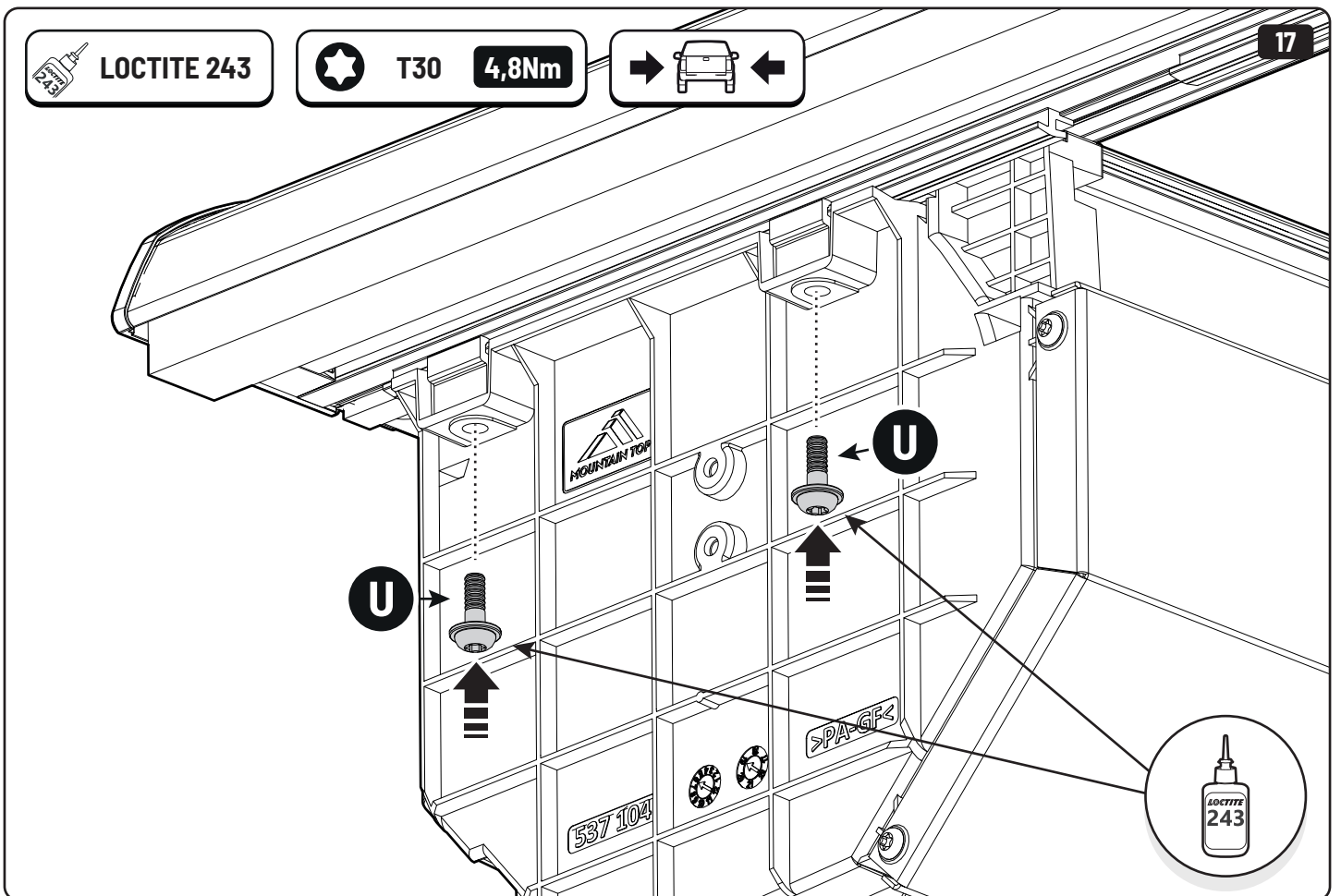
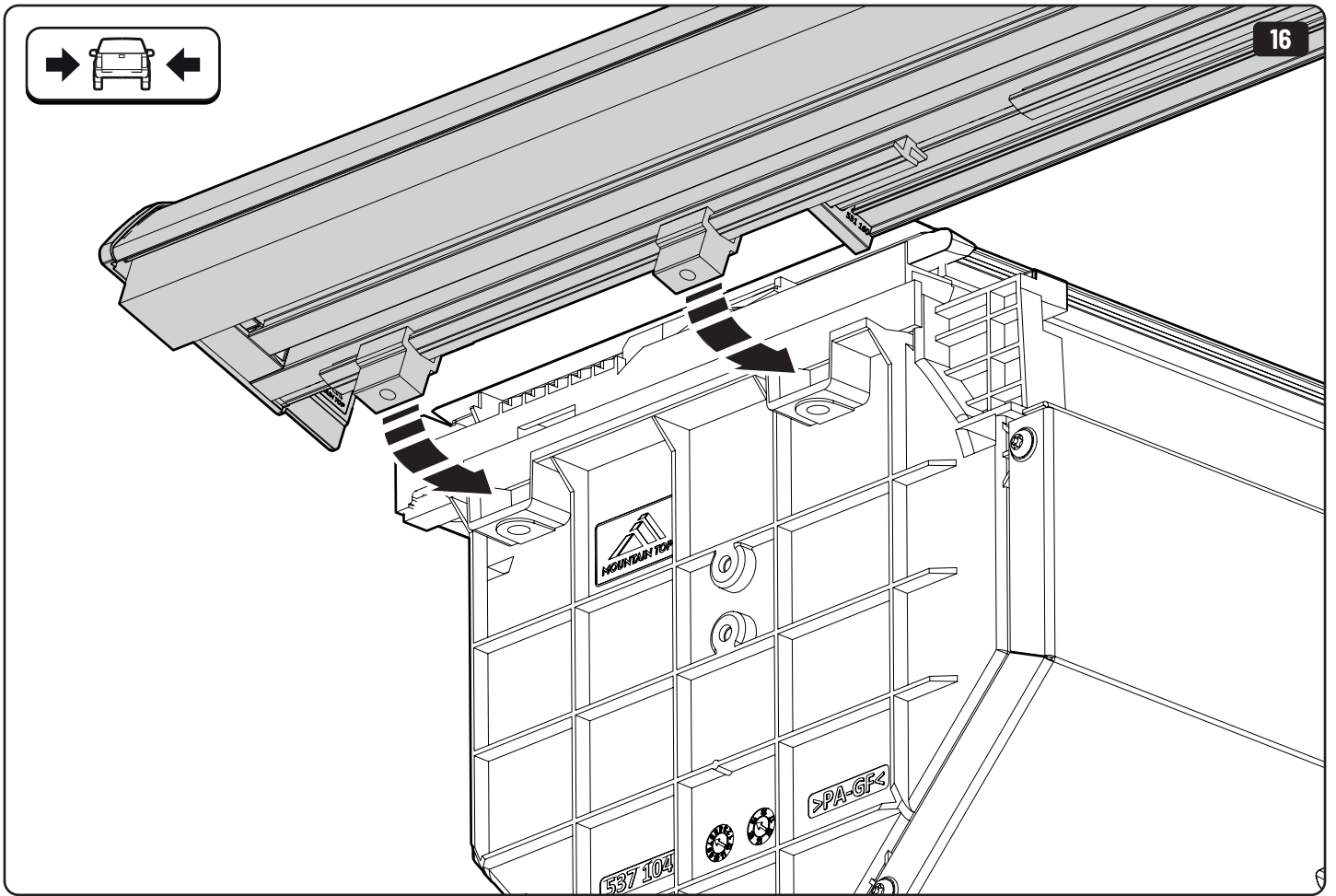


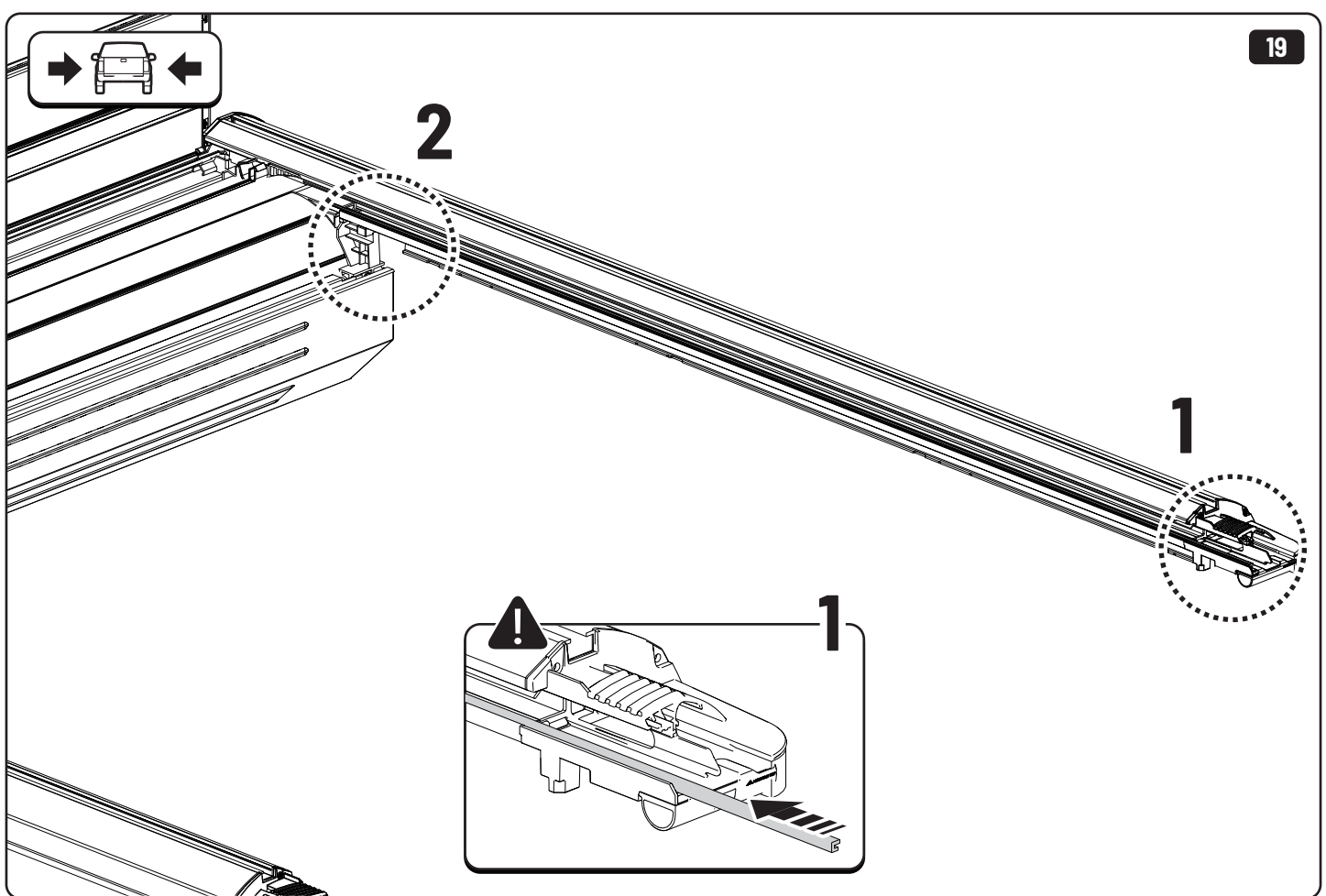
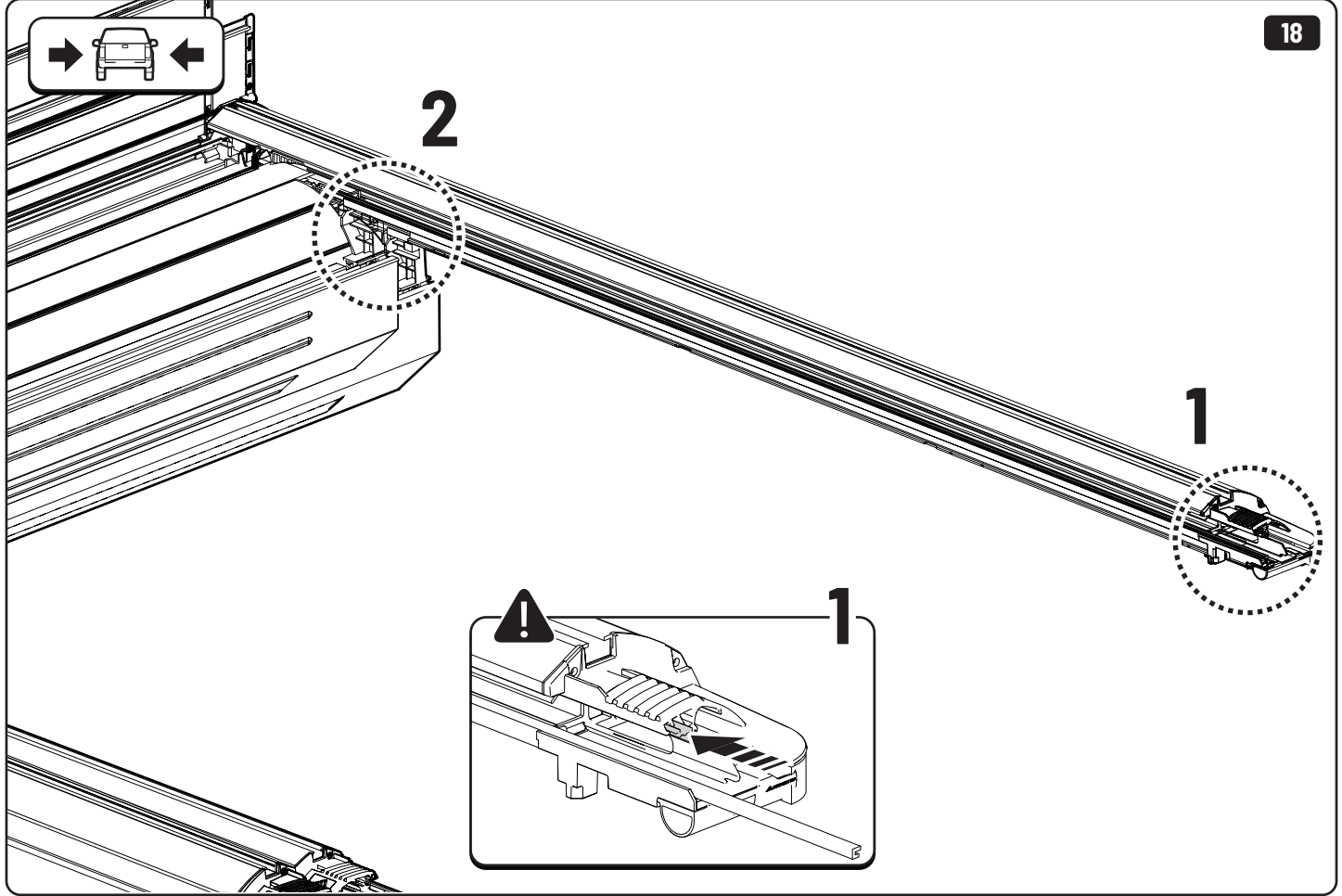


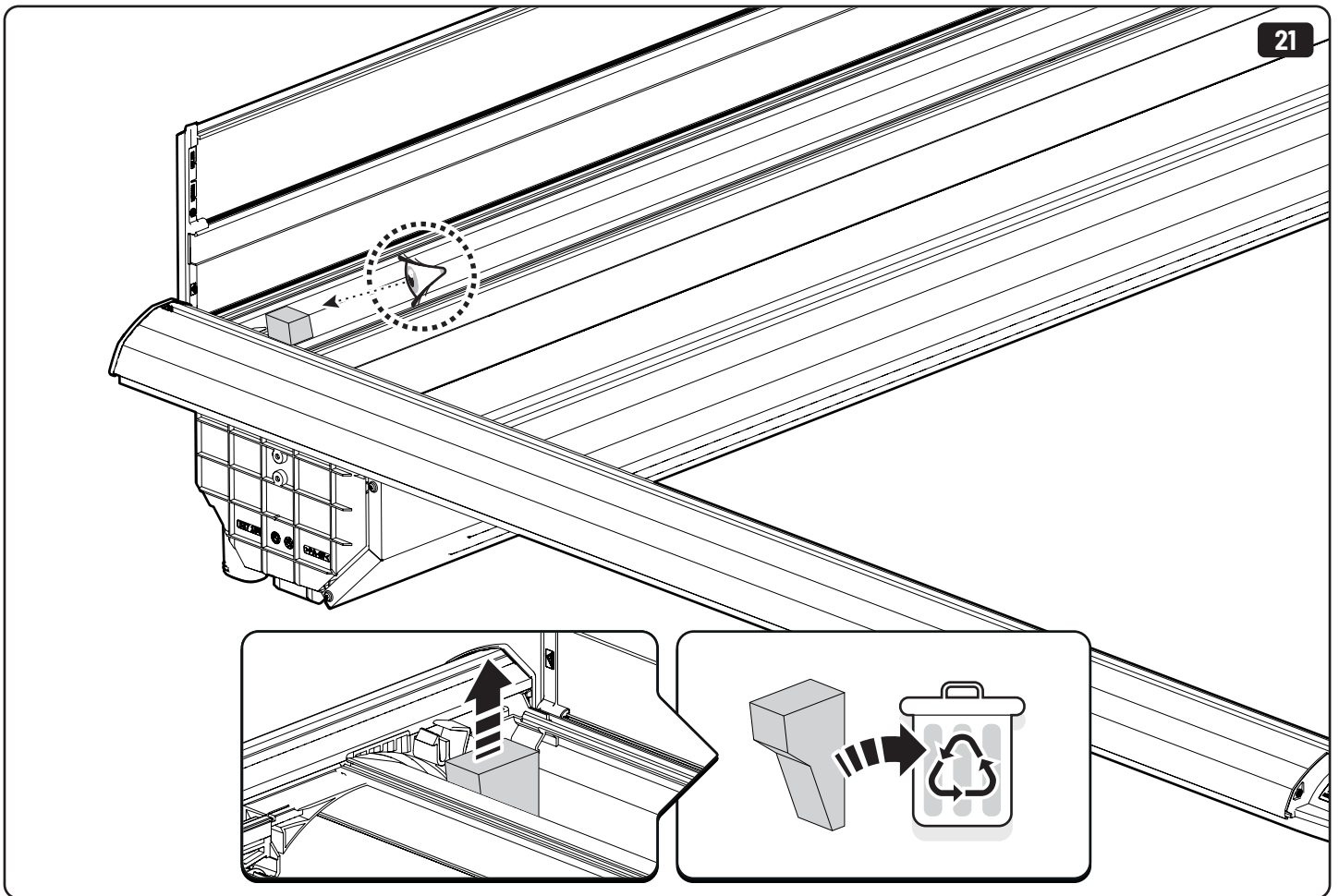
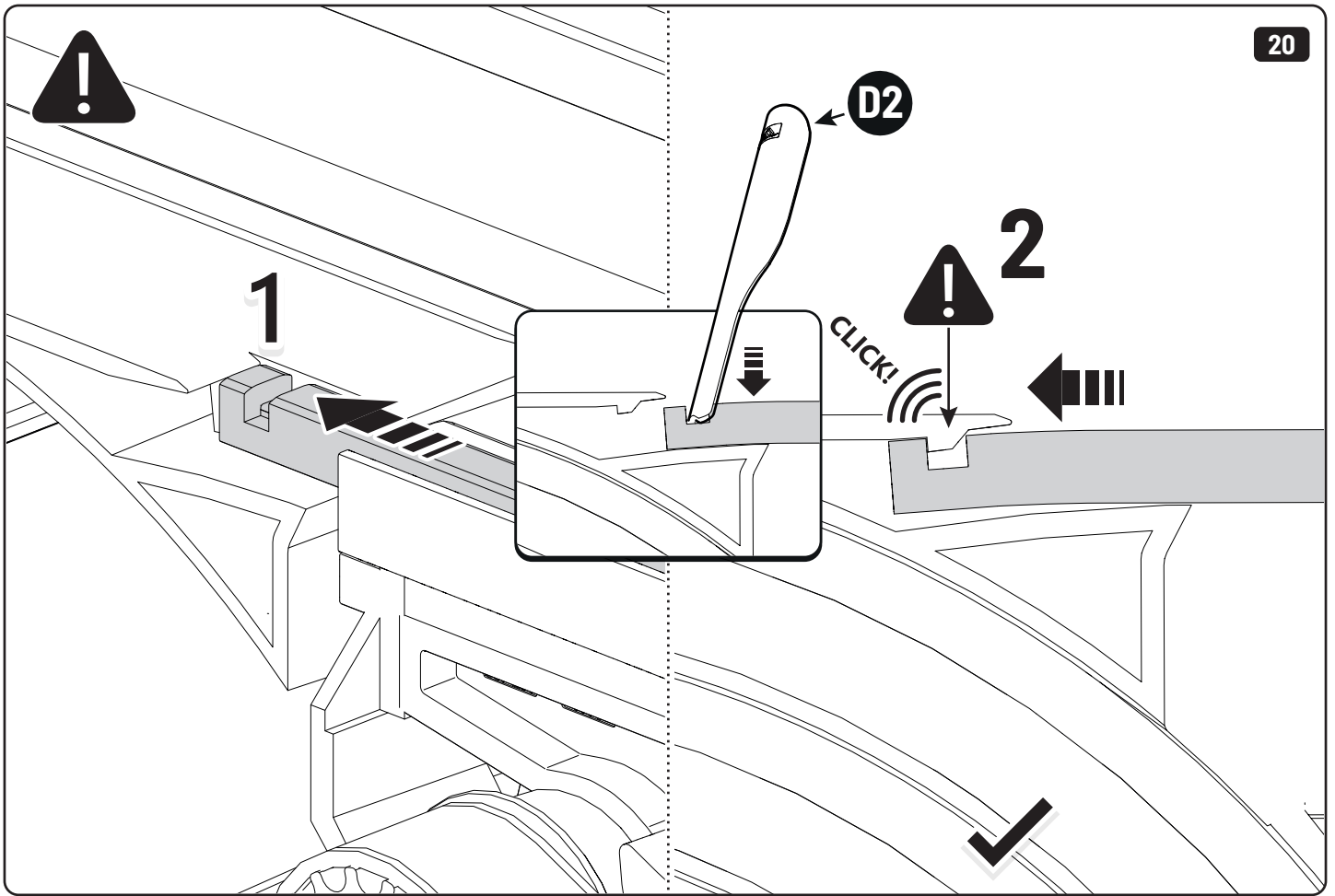




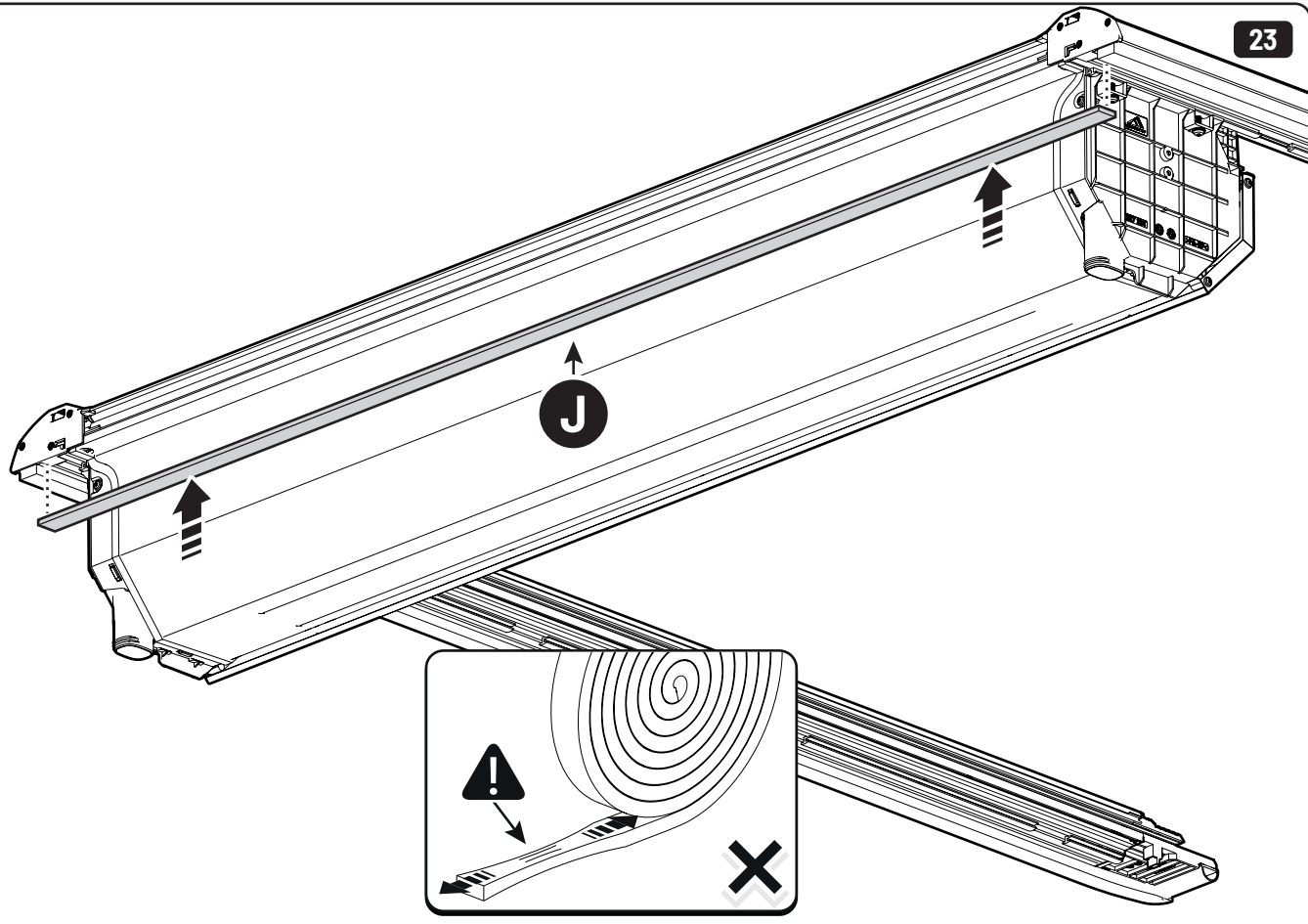
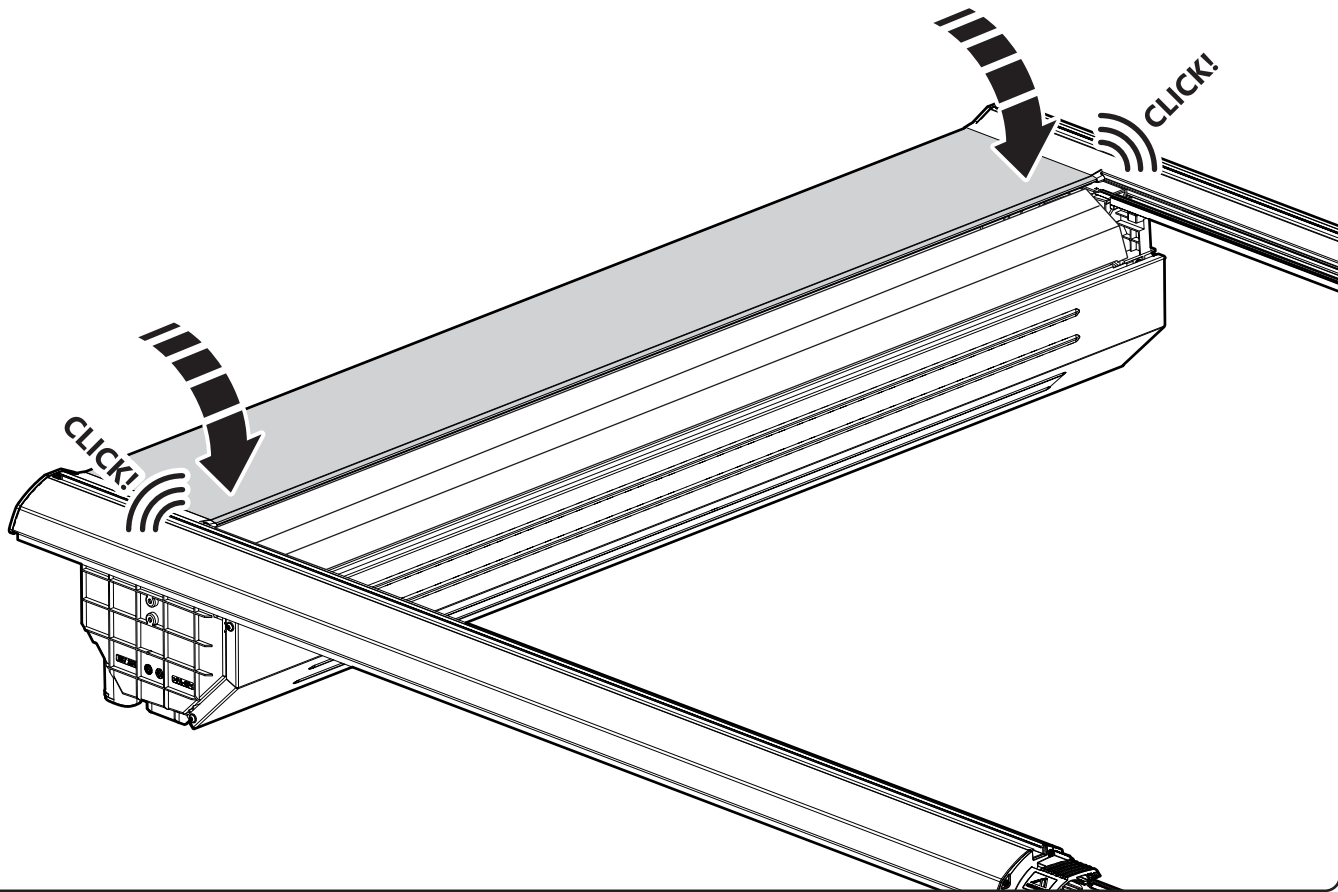


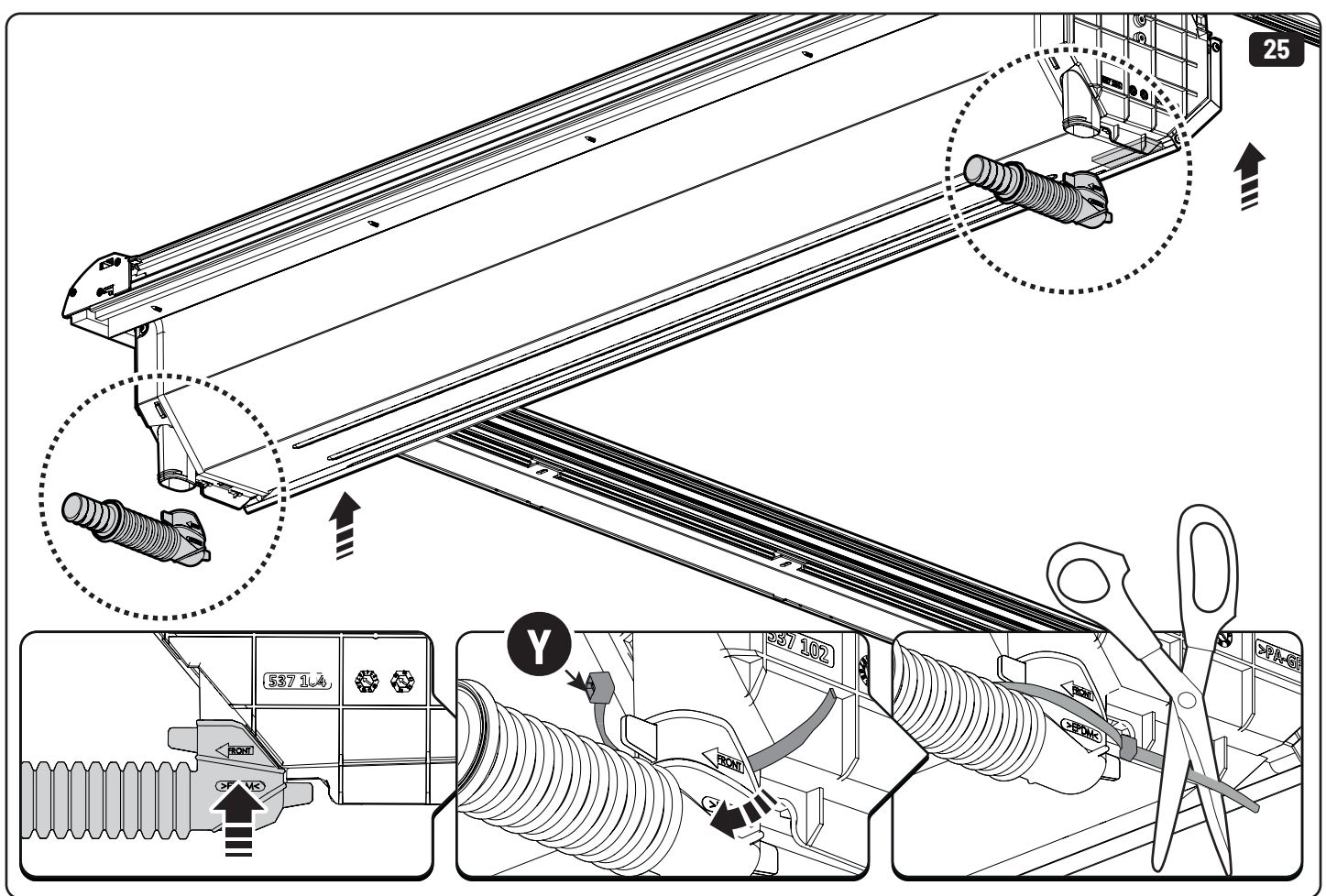
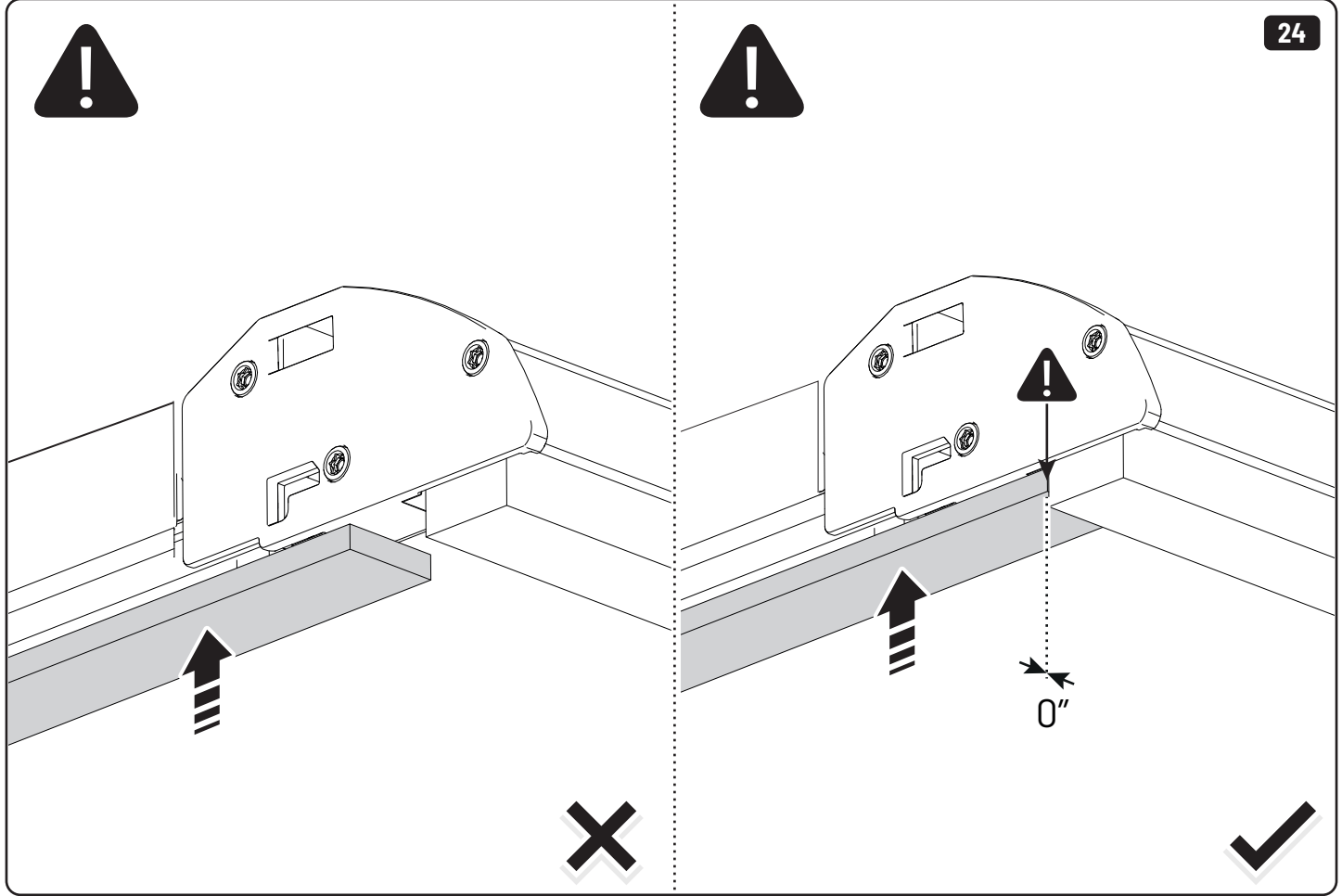


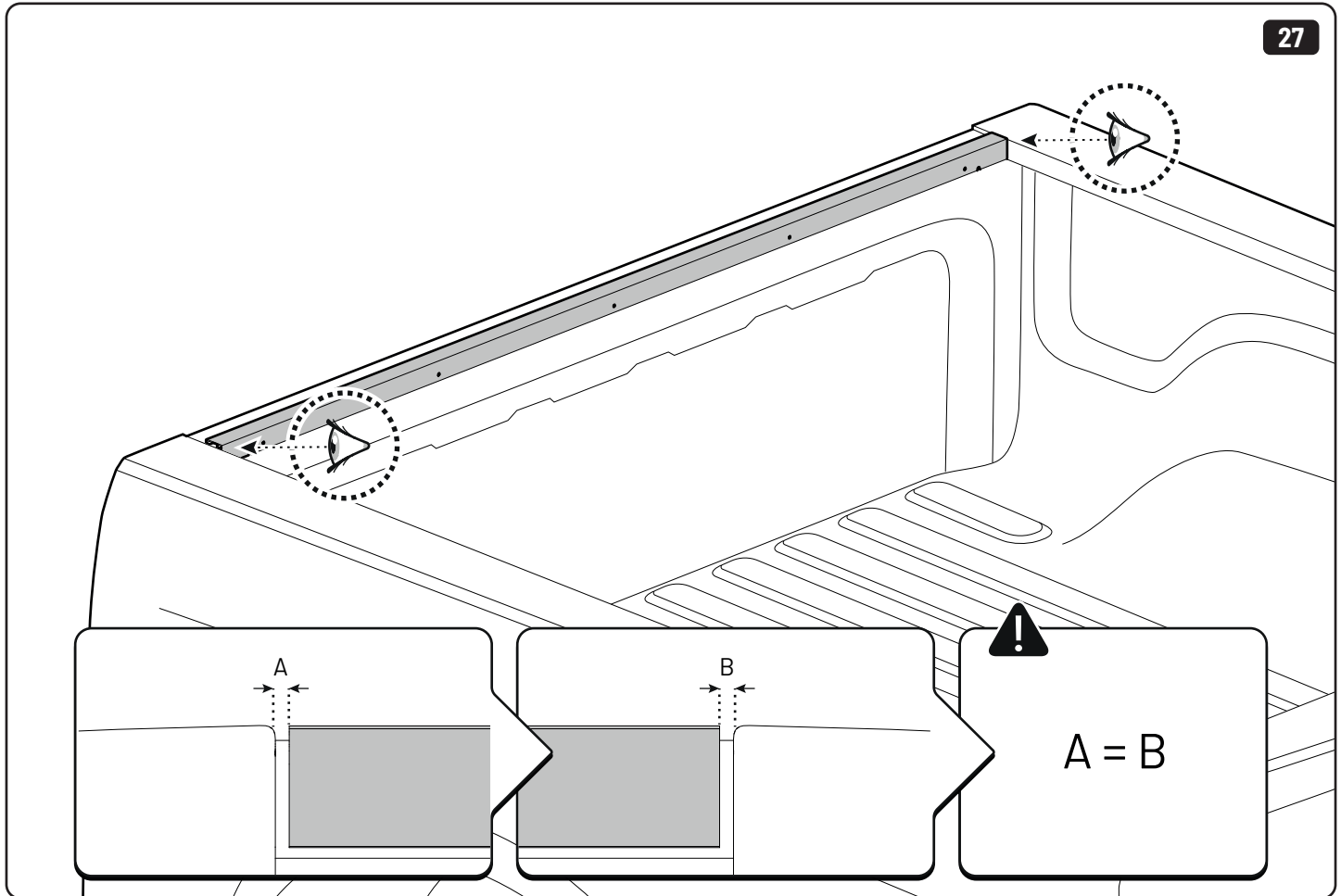
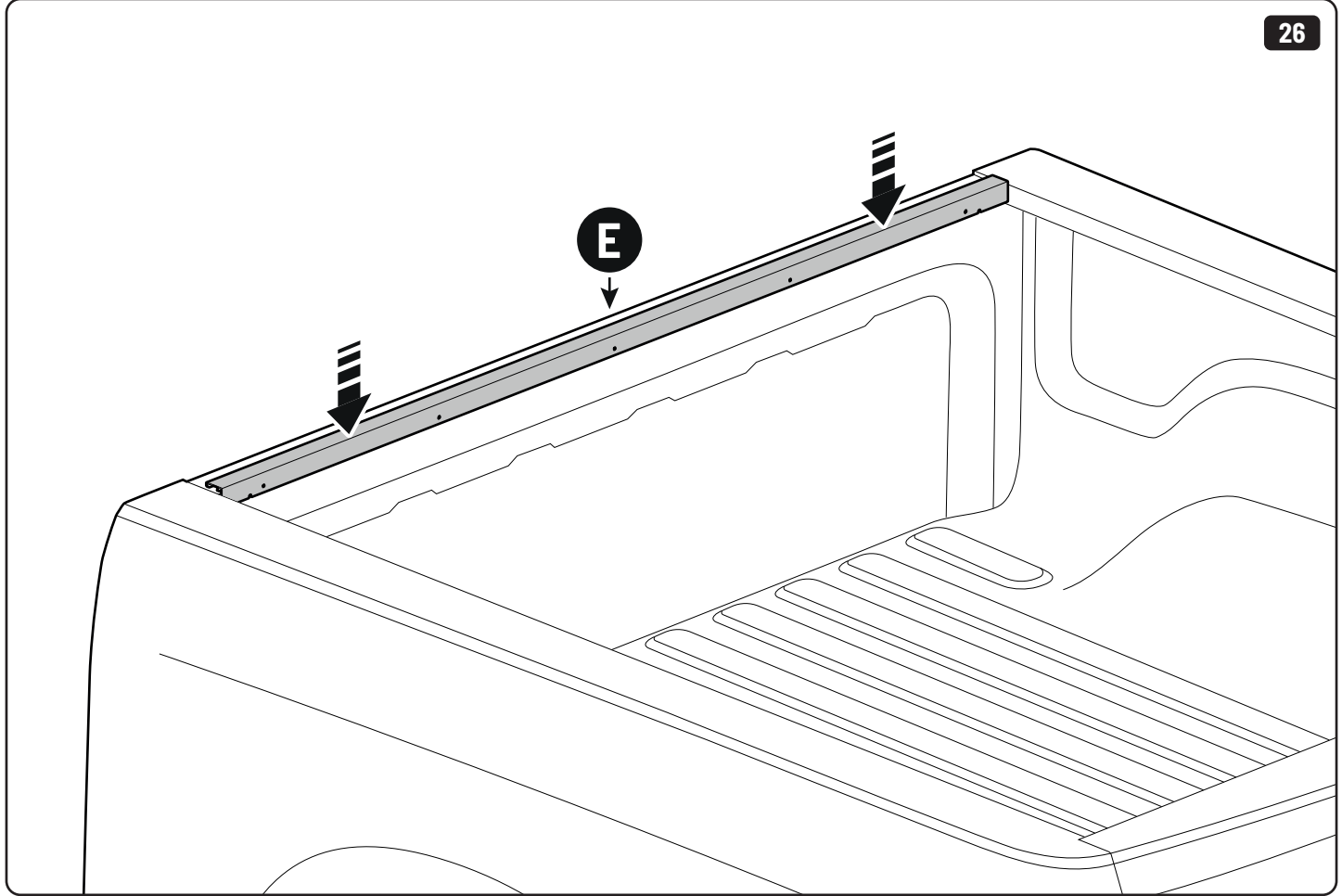


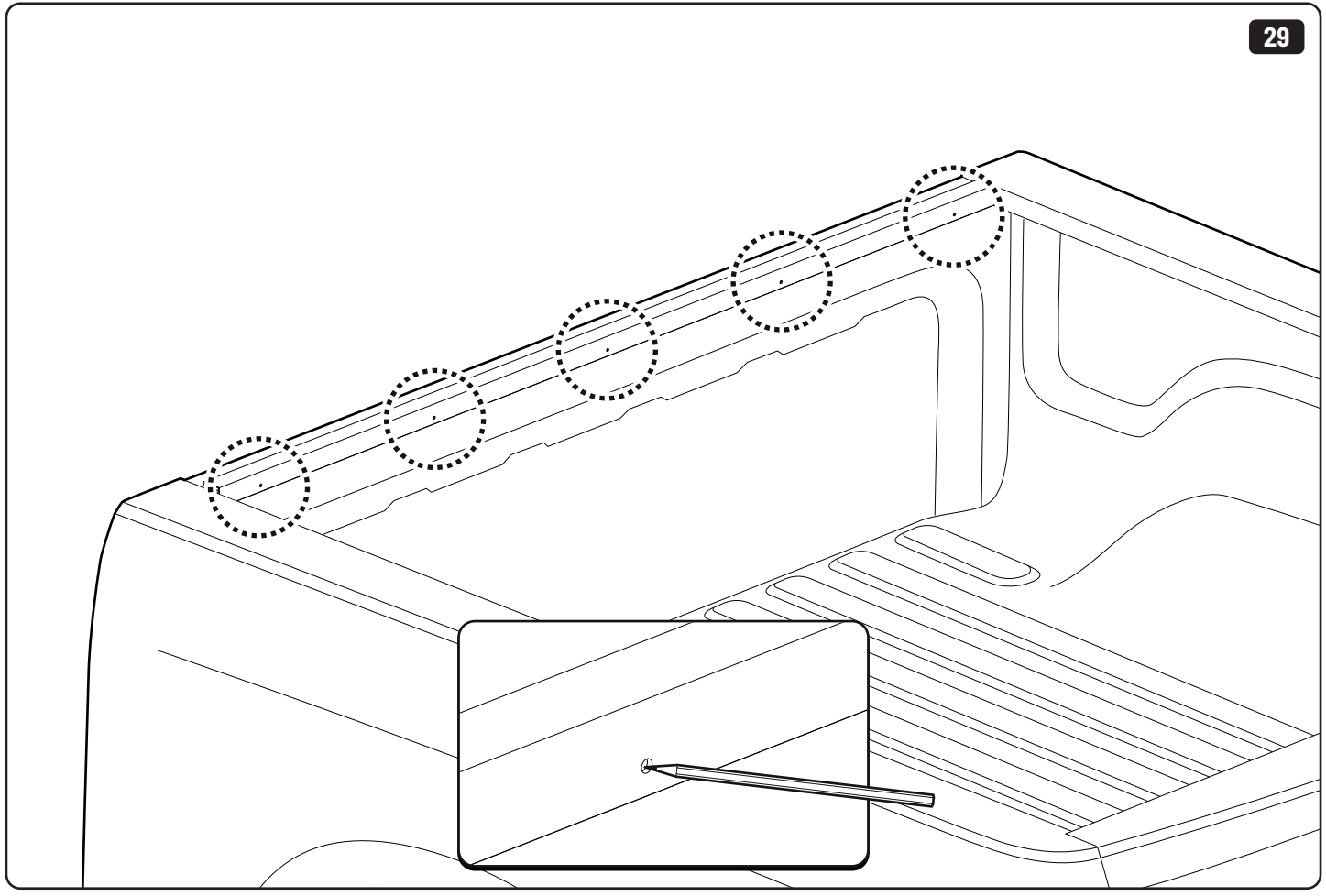
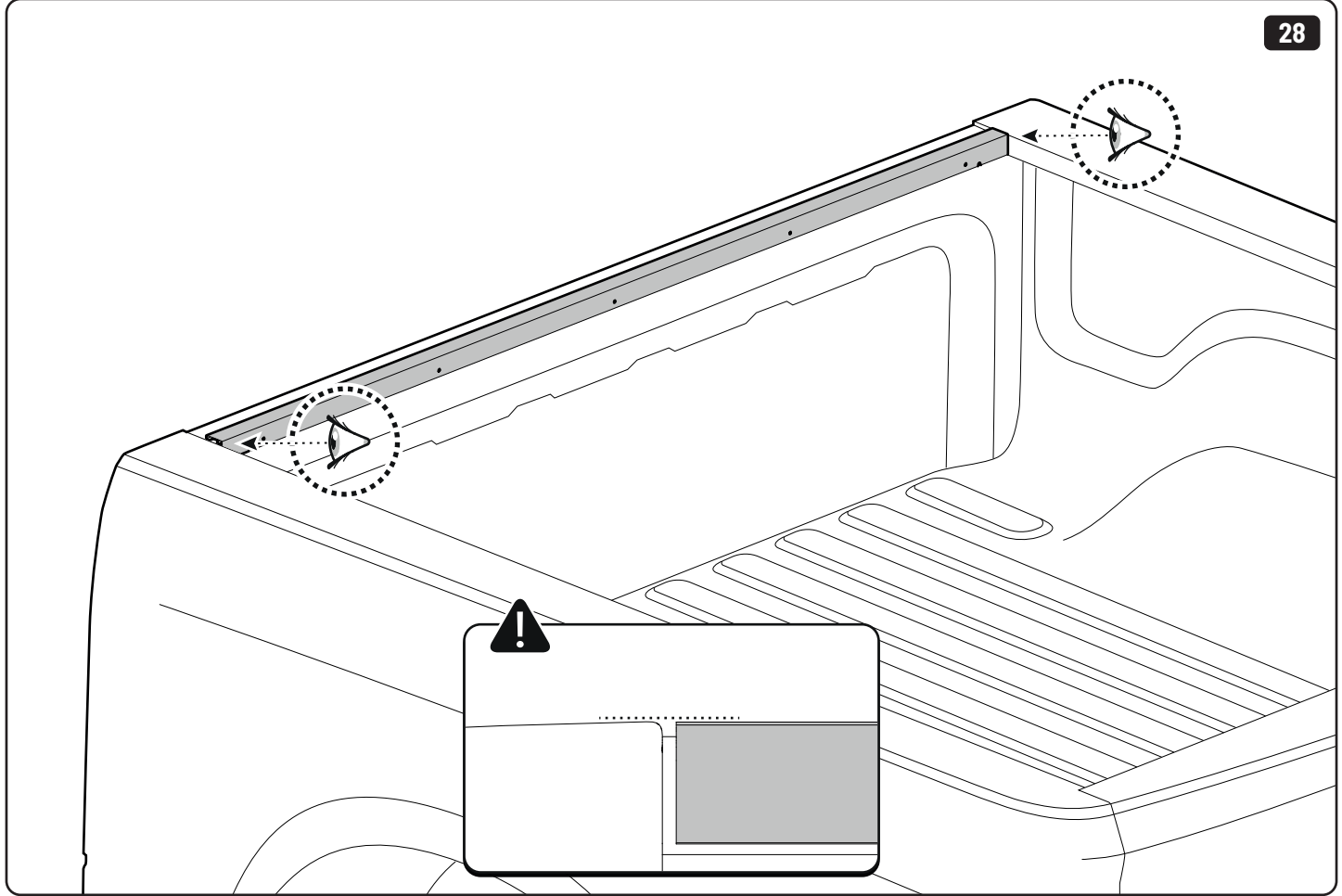


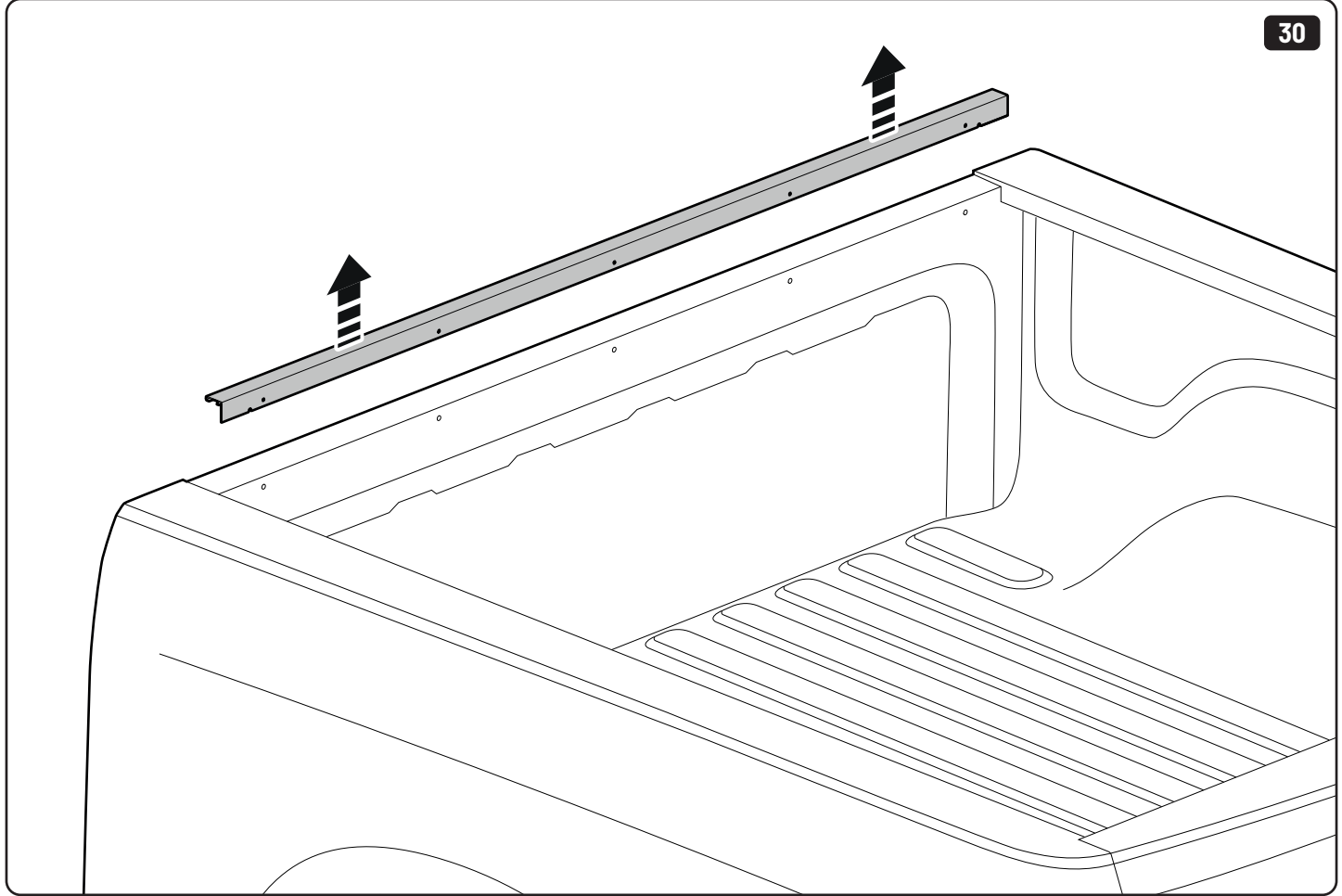







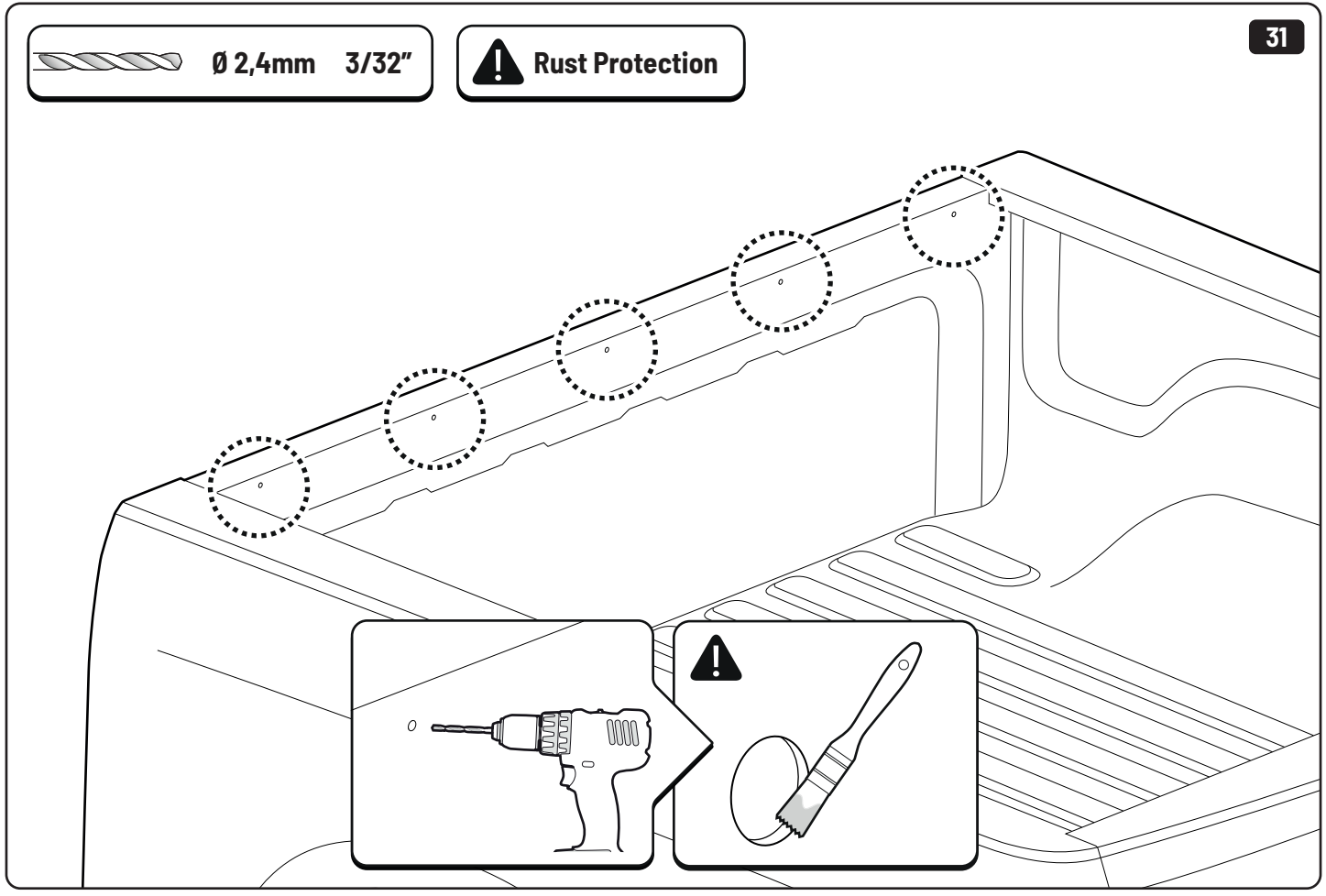


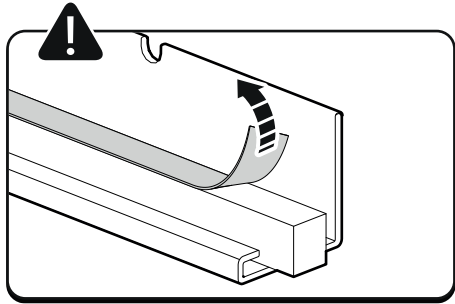
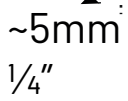
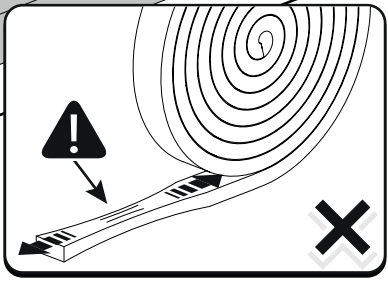
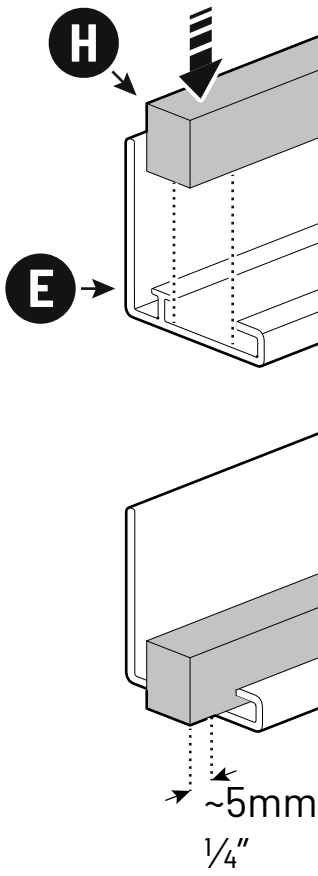


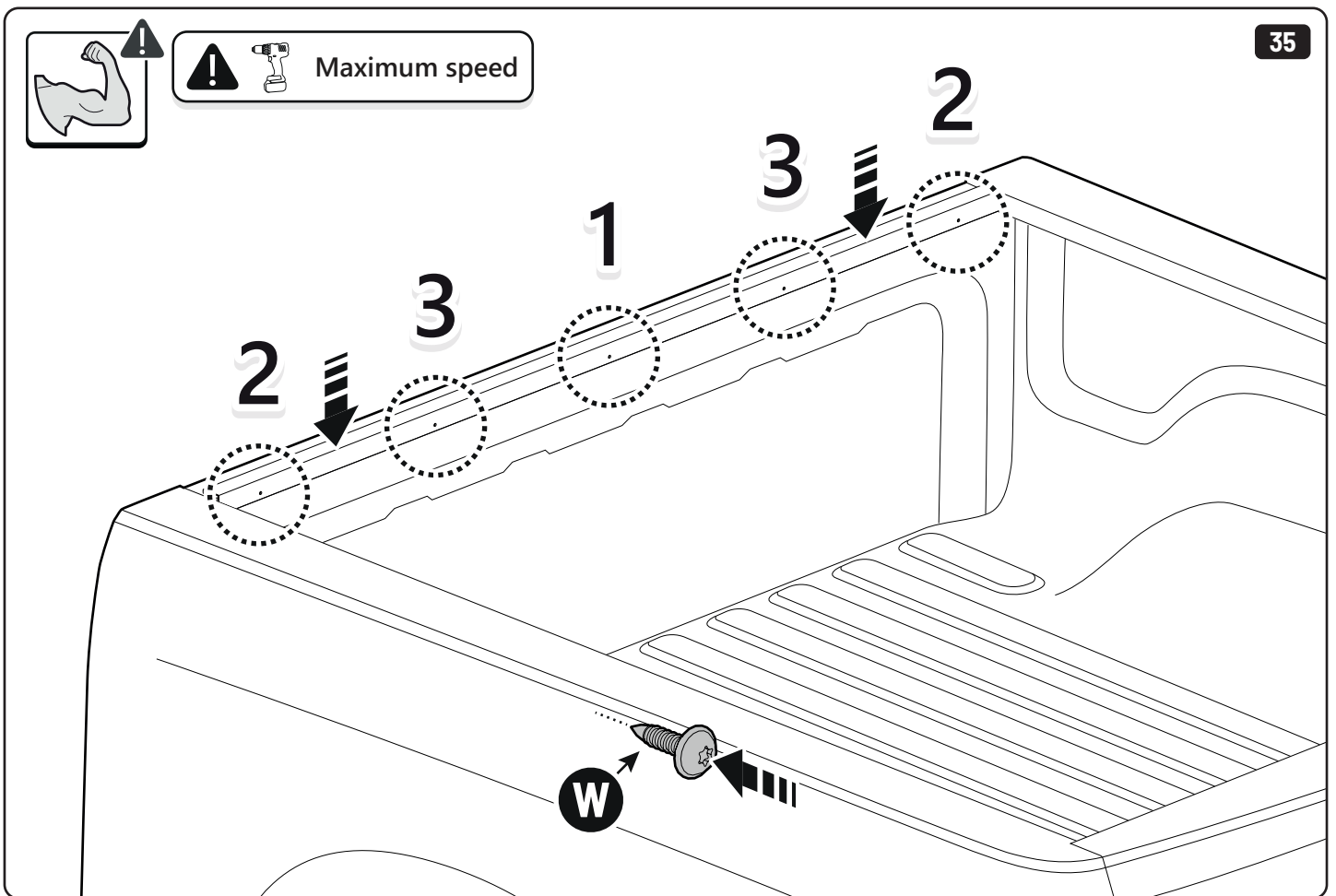
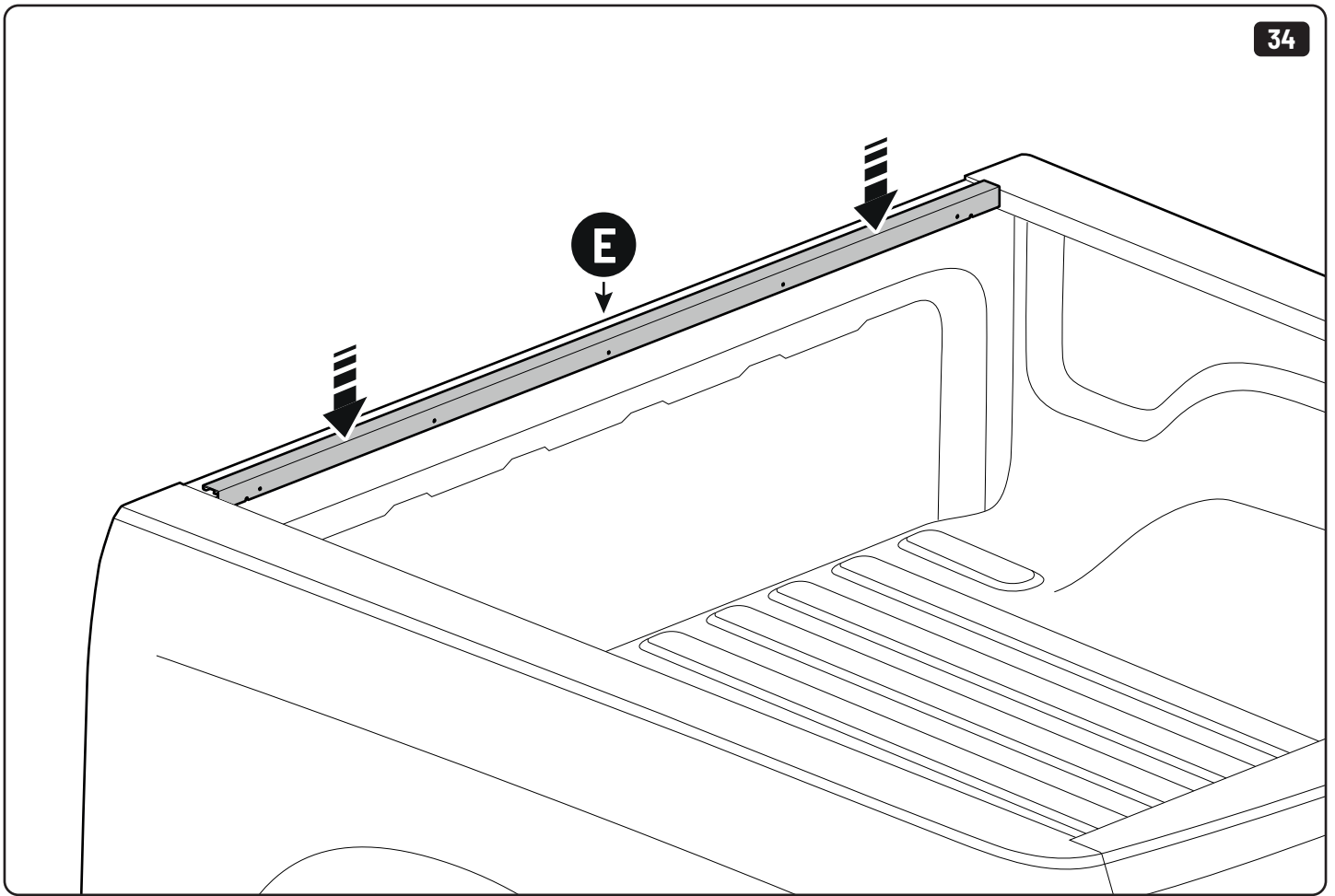


 Ø 2,4mm 3/32"

 Rust Protection

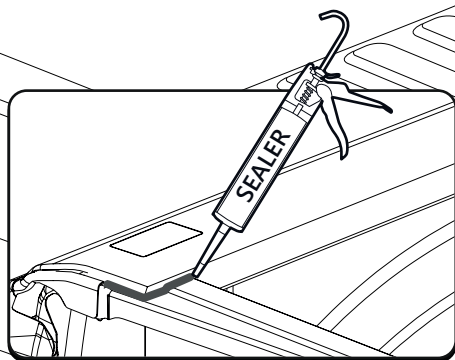






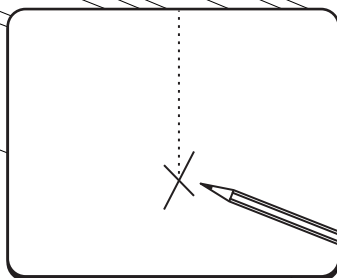
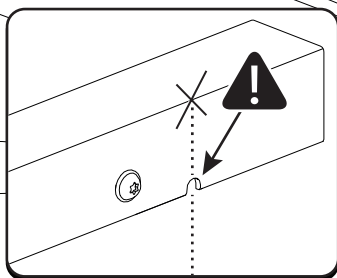


Sealer



265mm  
10 1/2"

265mm  
10 1/2"

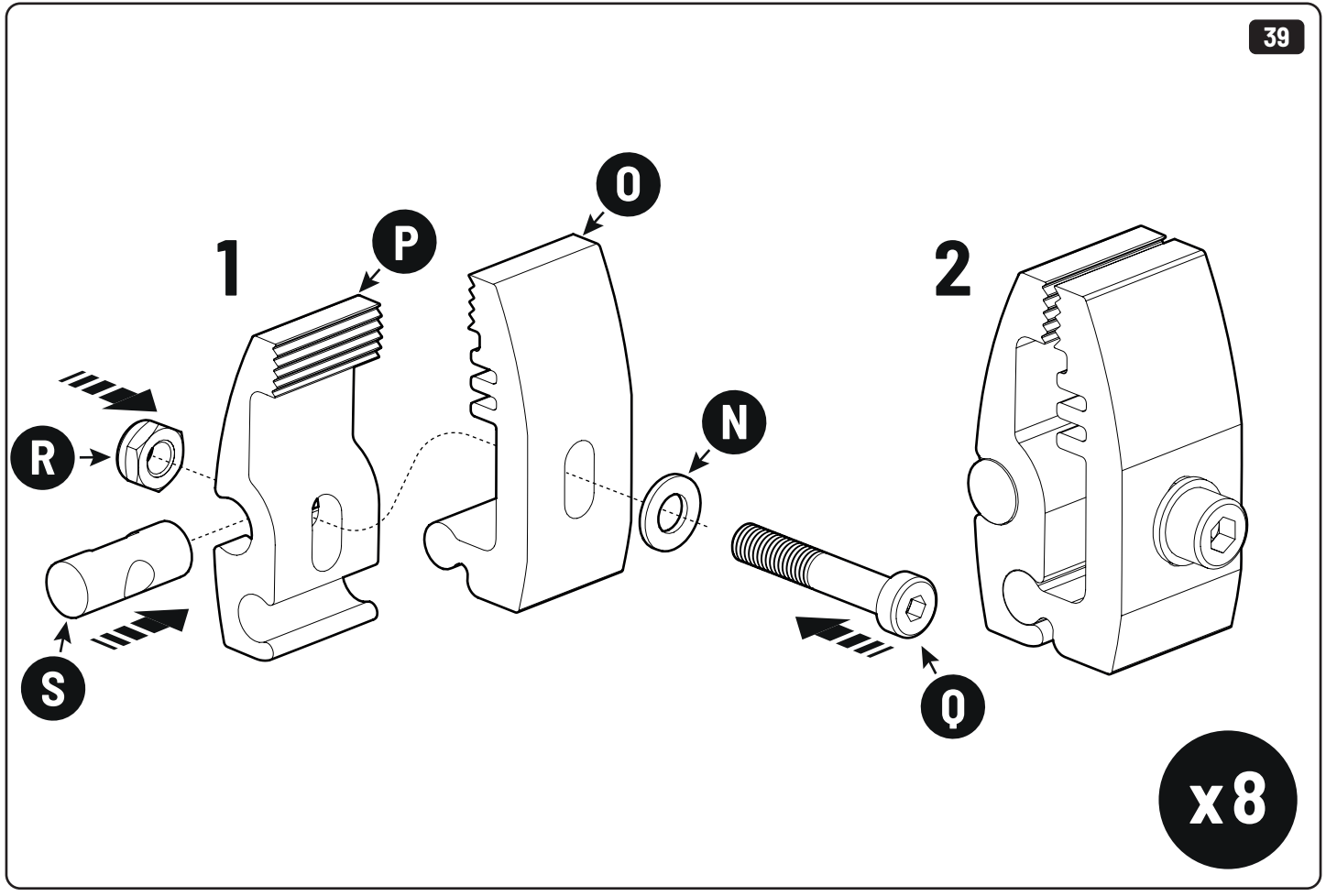
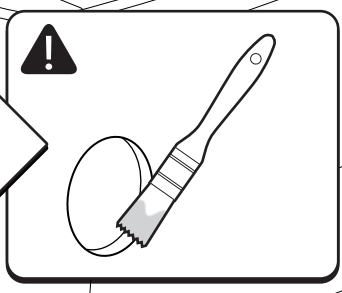
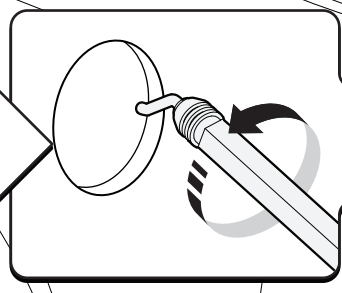
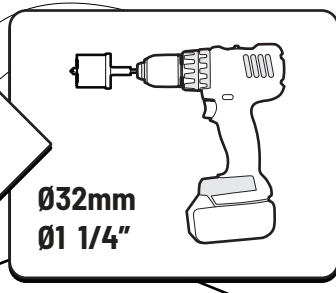
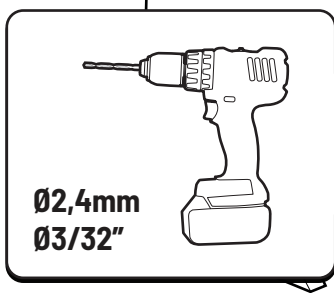
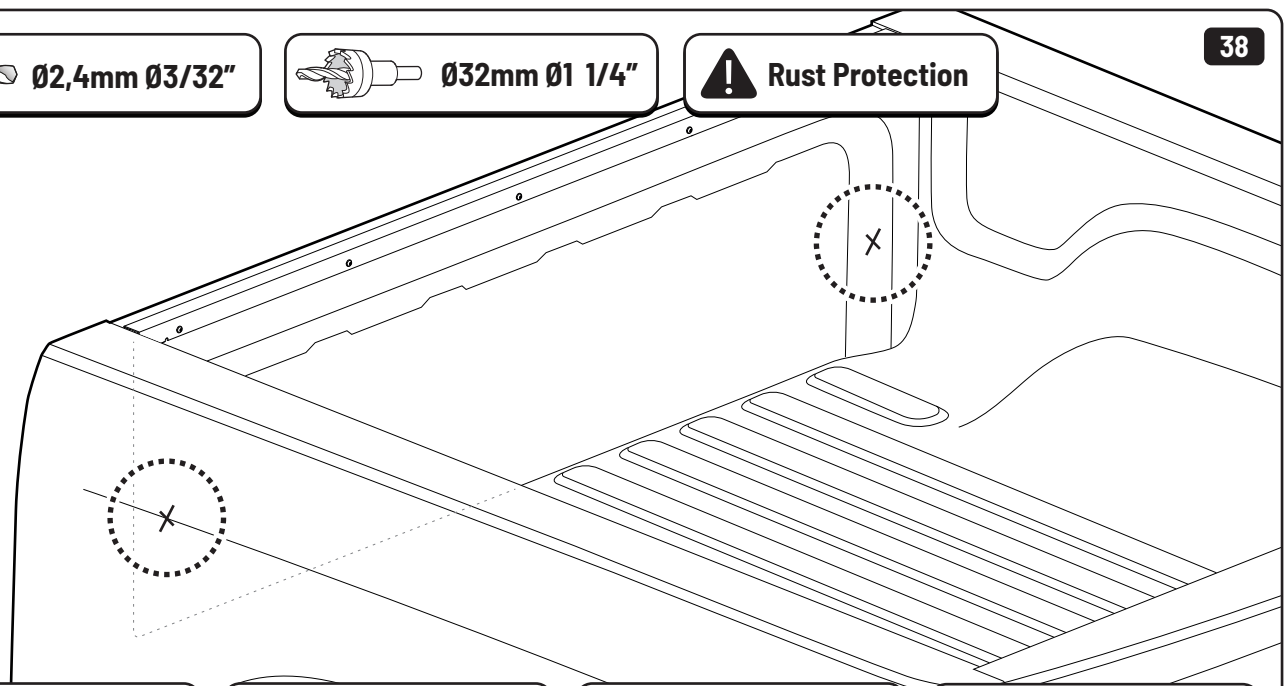


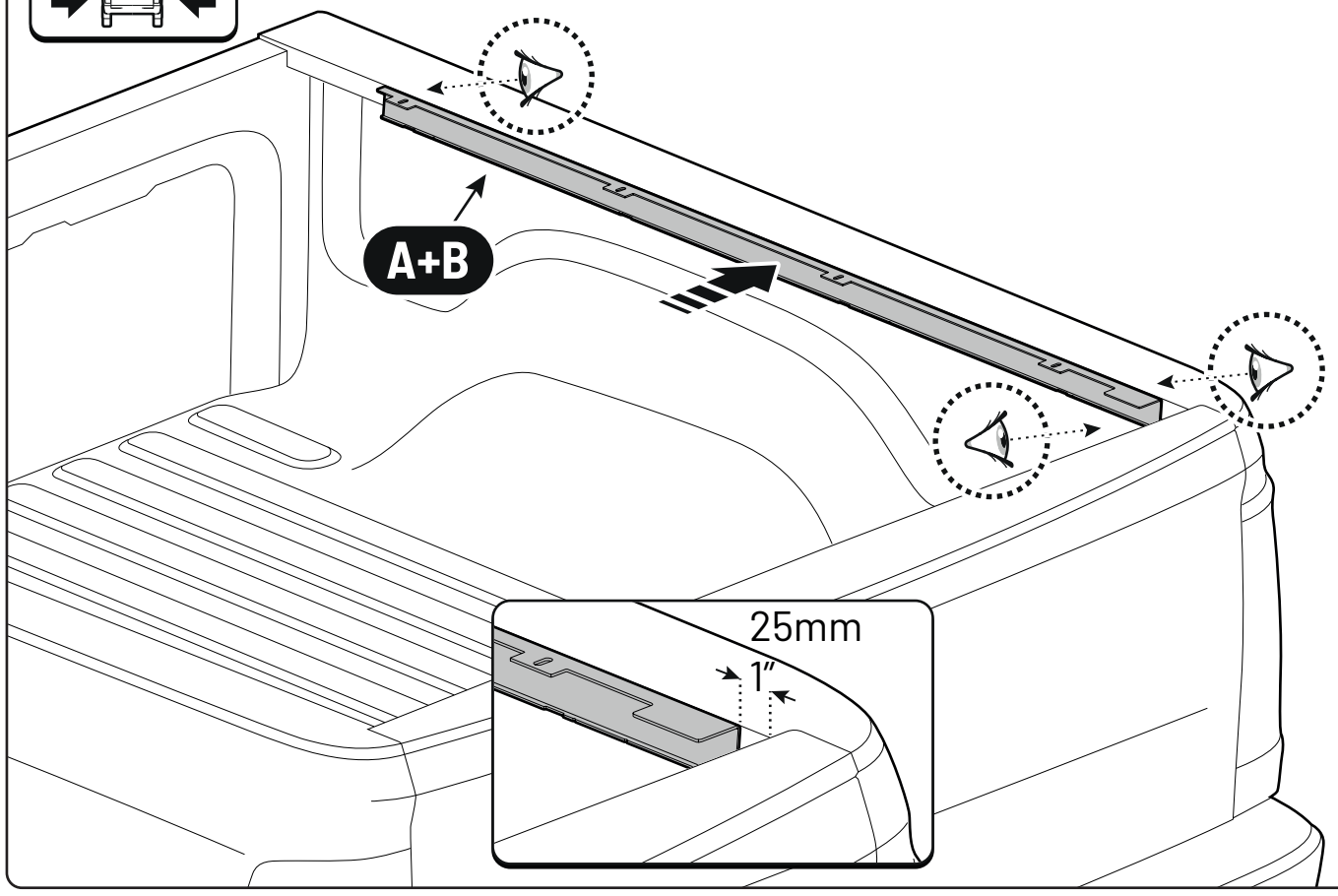
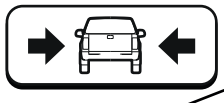
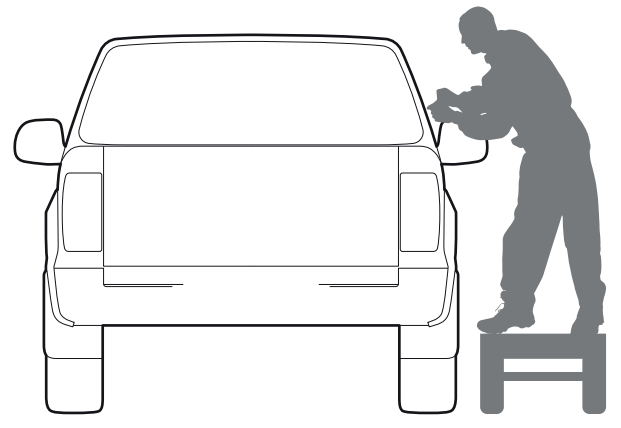
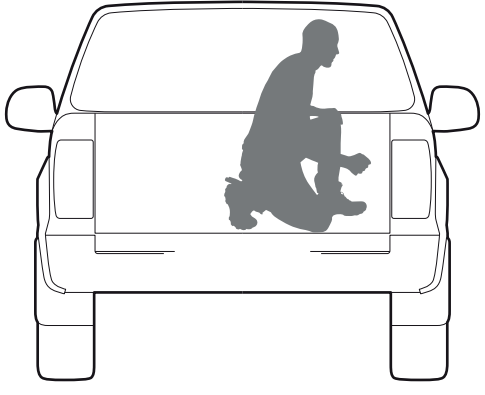


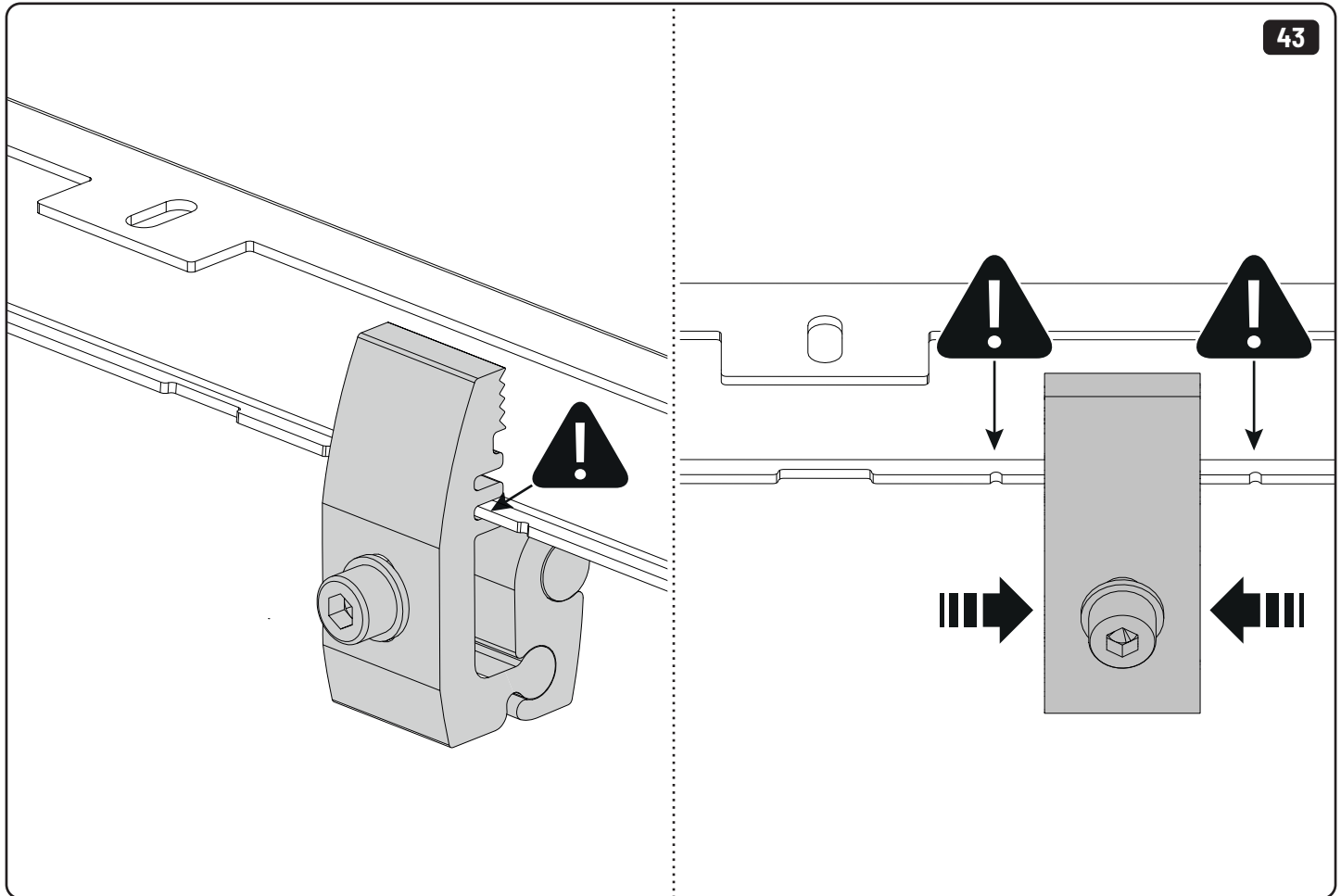
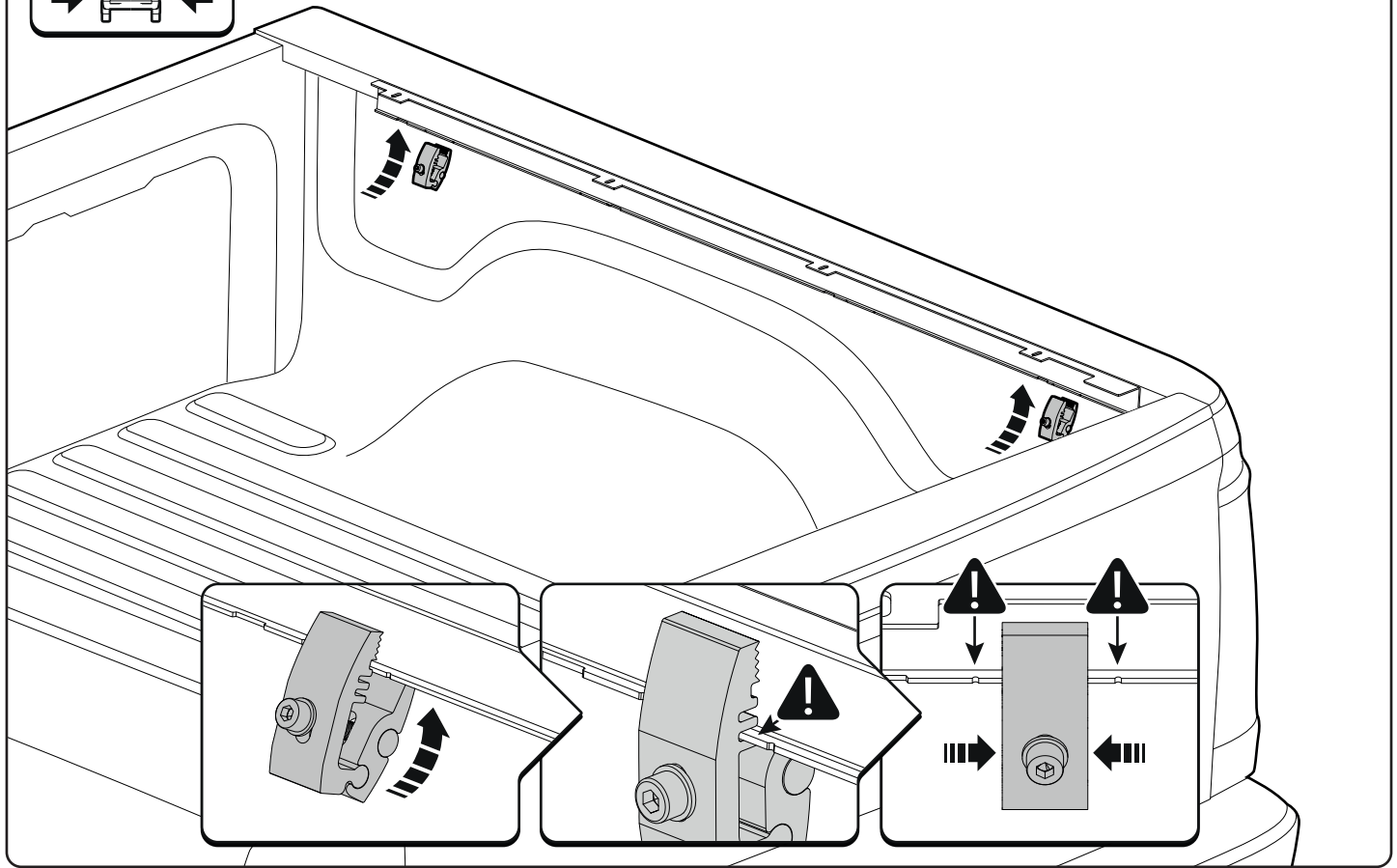
  $\varnothing 2,4\text{mm } \varnothing 3/32''$

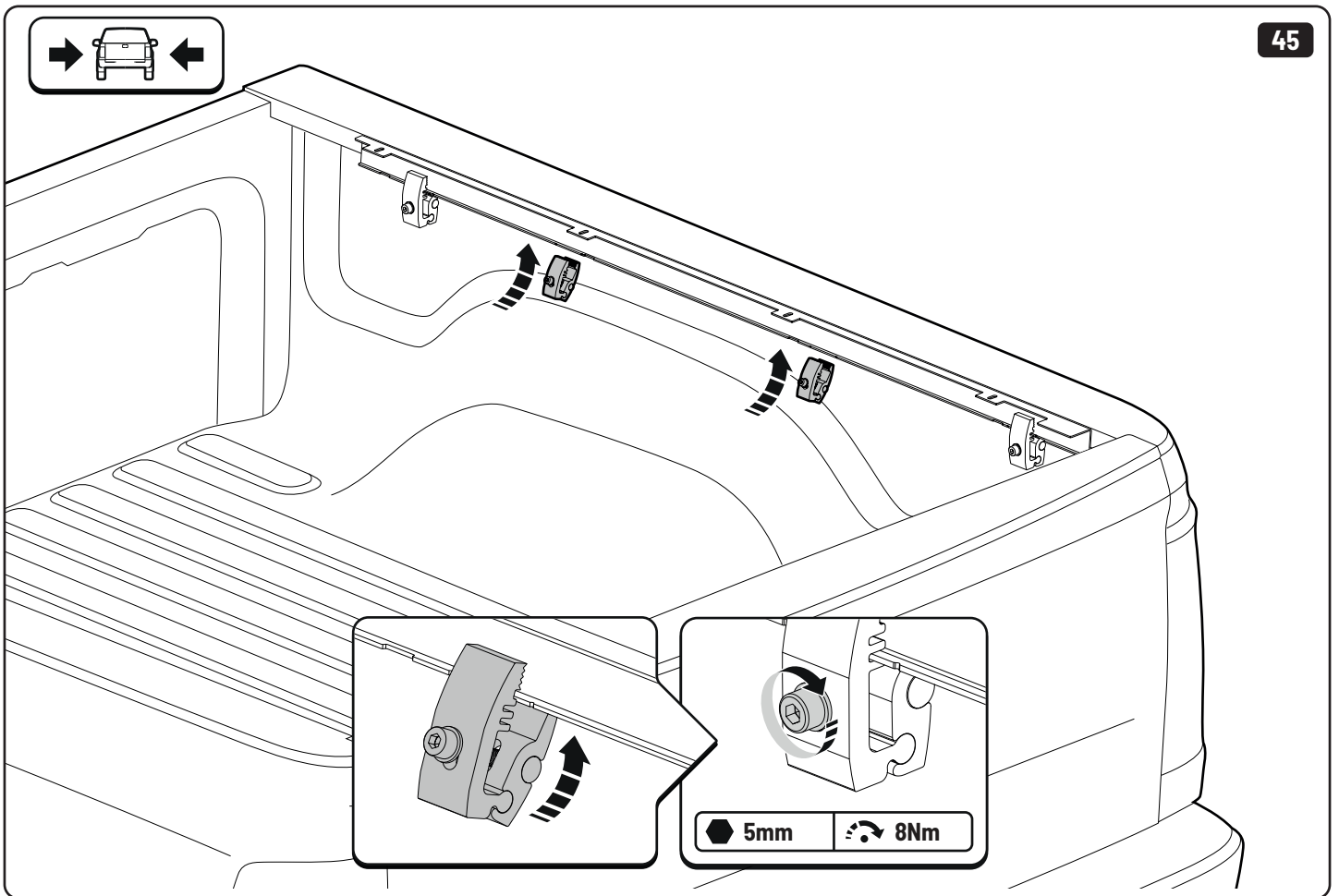
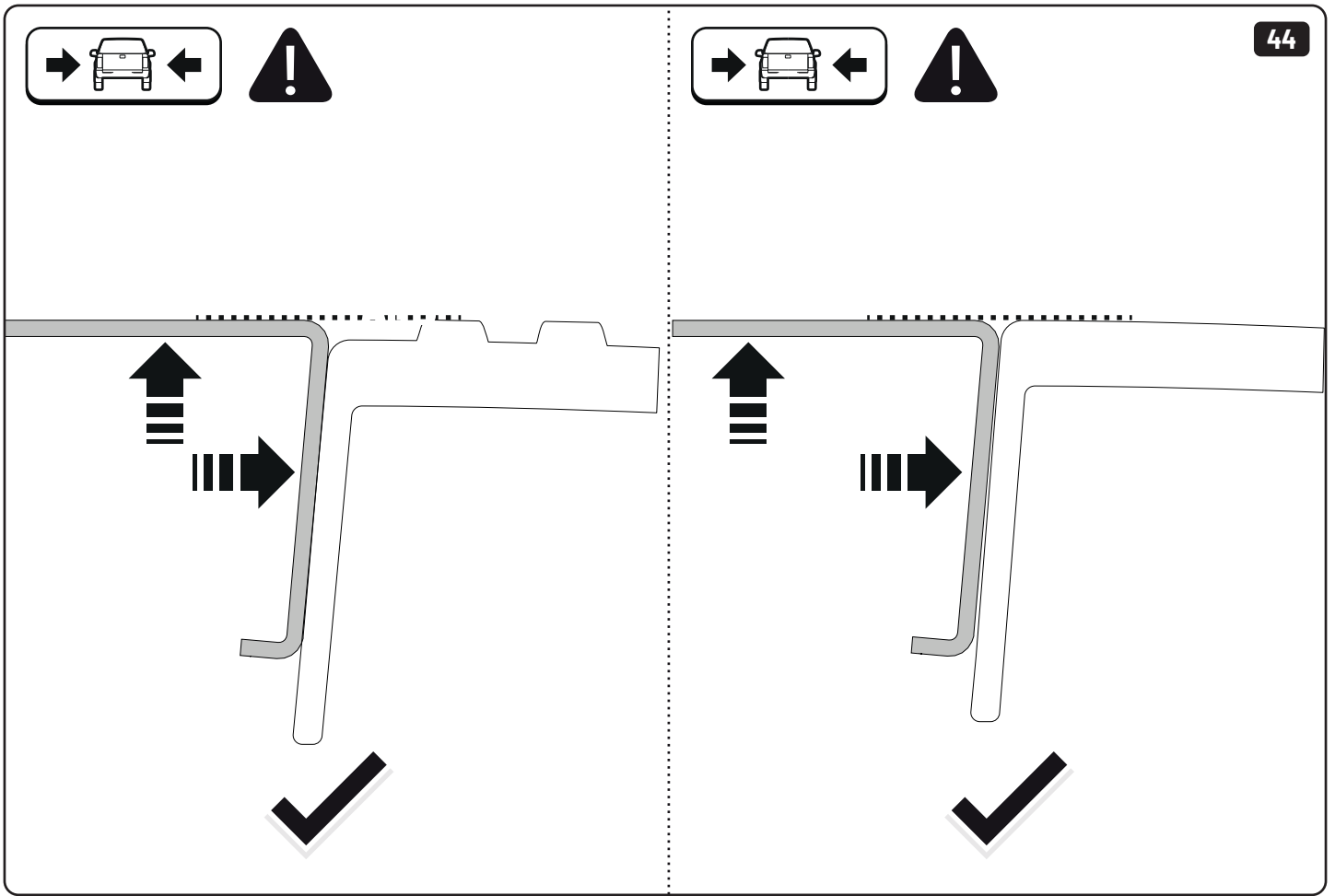
  $\varnothing 32\text{mm } \varnothing 1\ 1/4''$

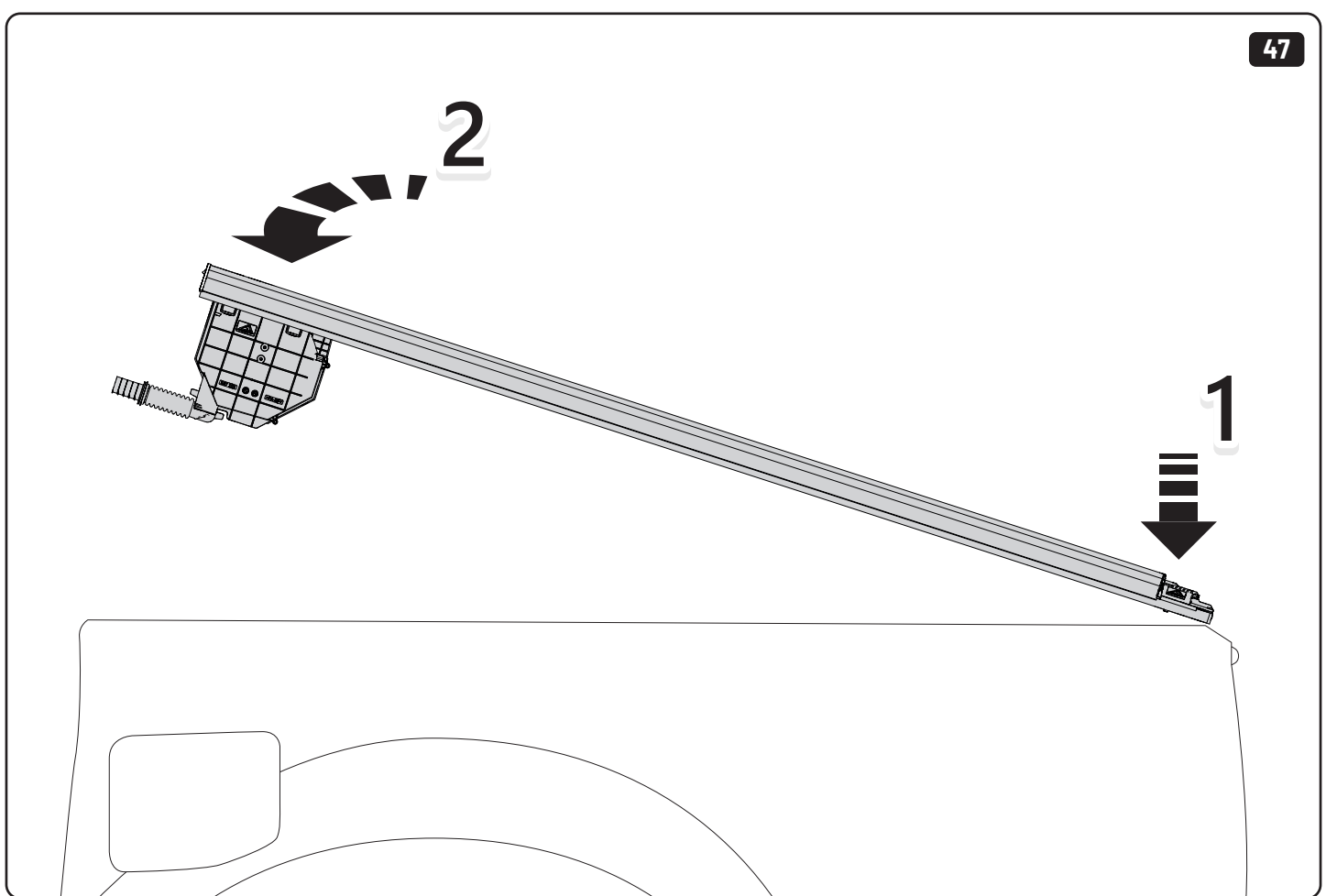
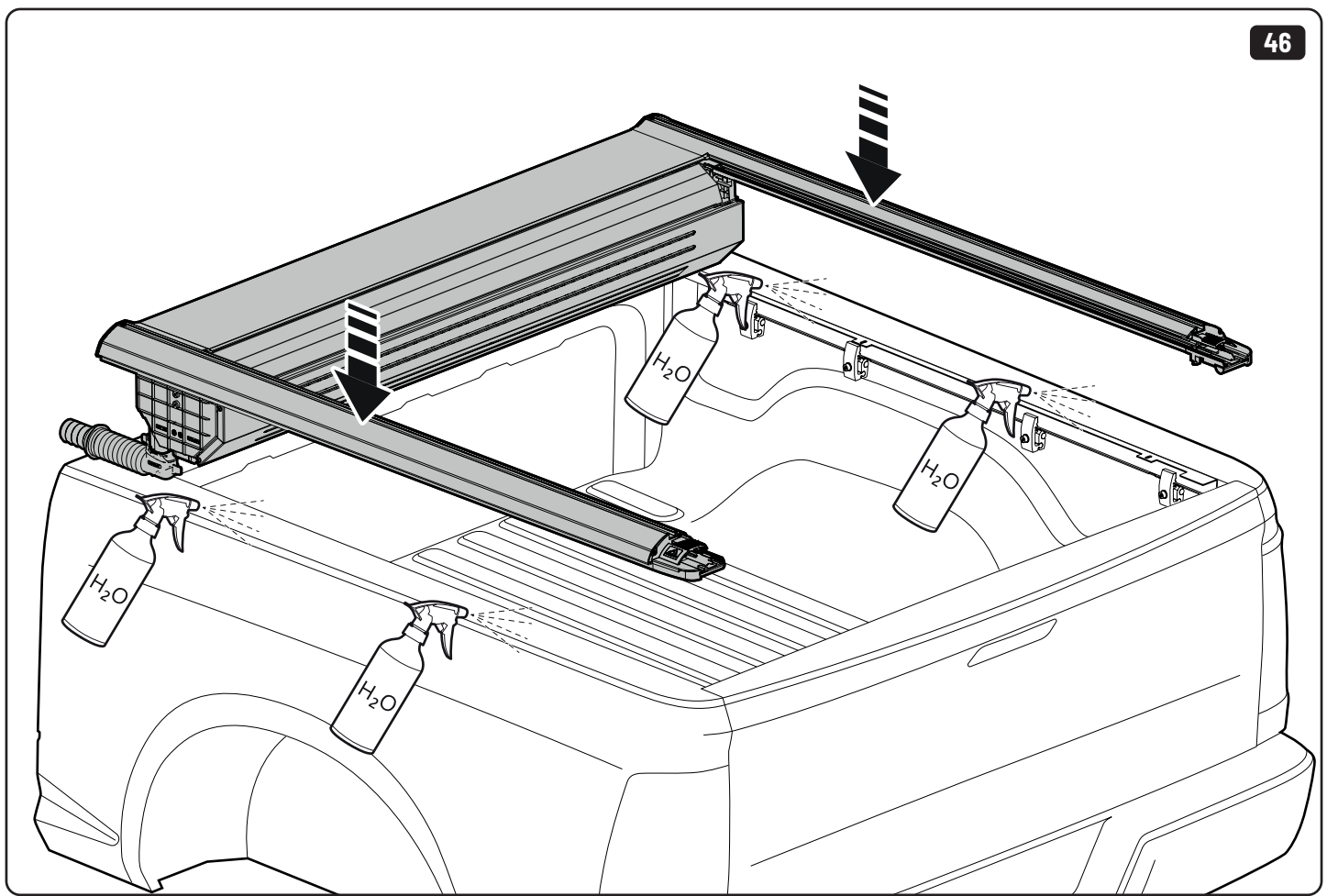
 **Rust Protection**

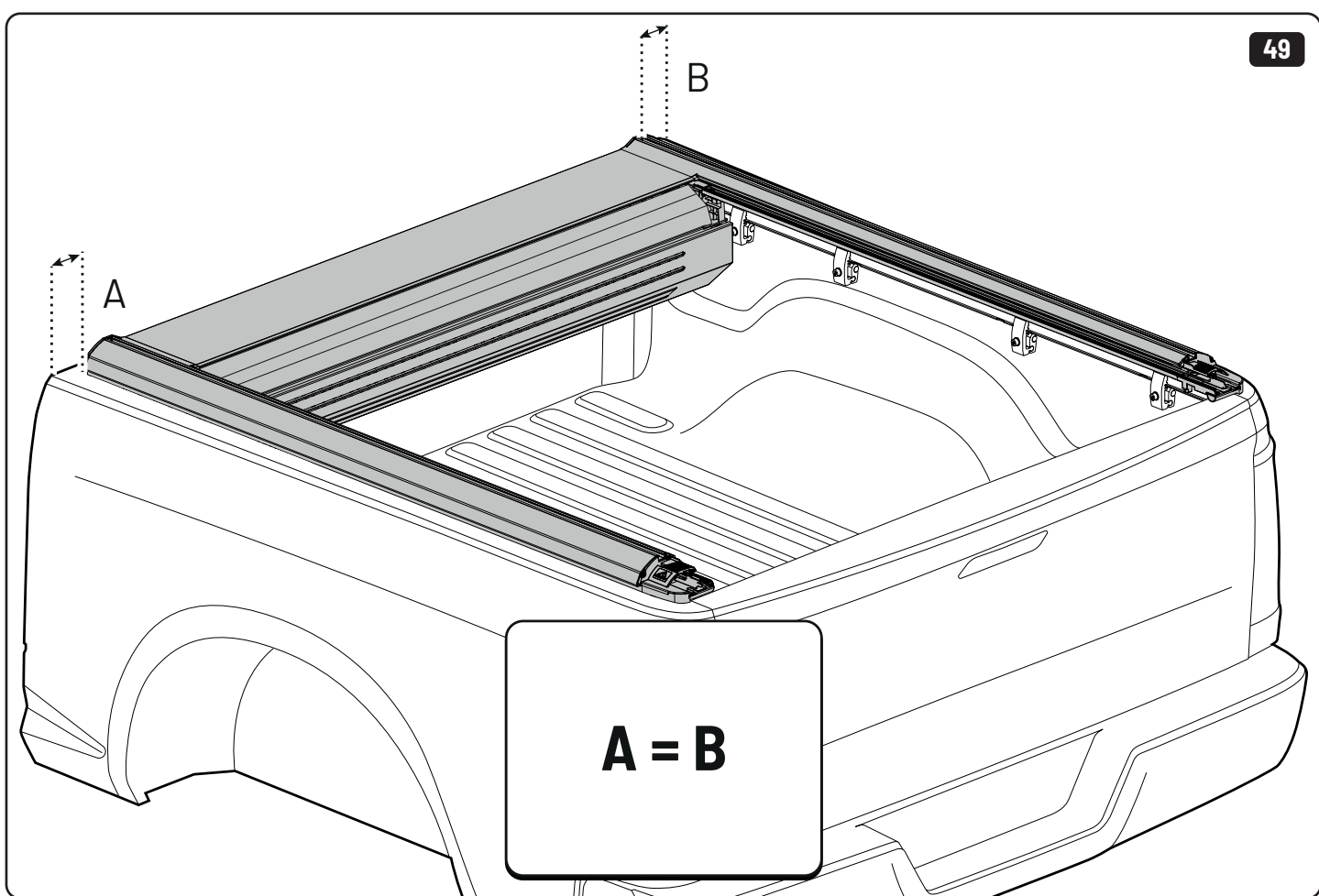
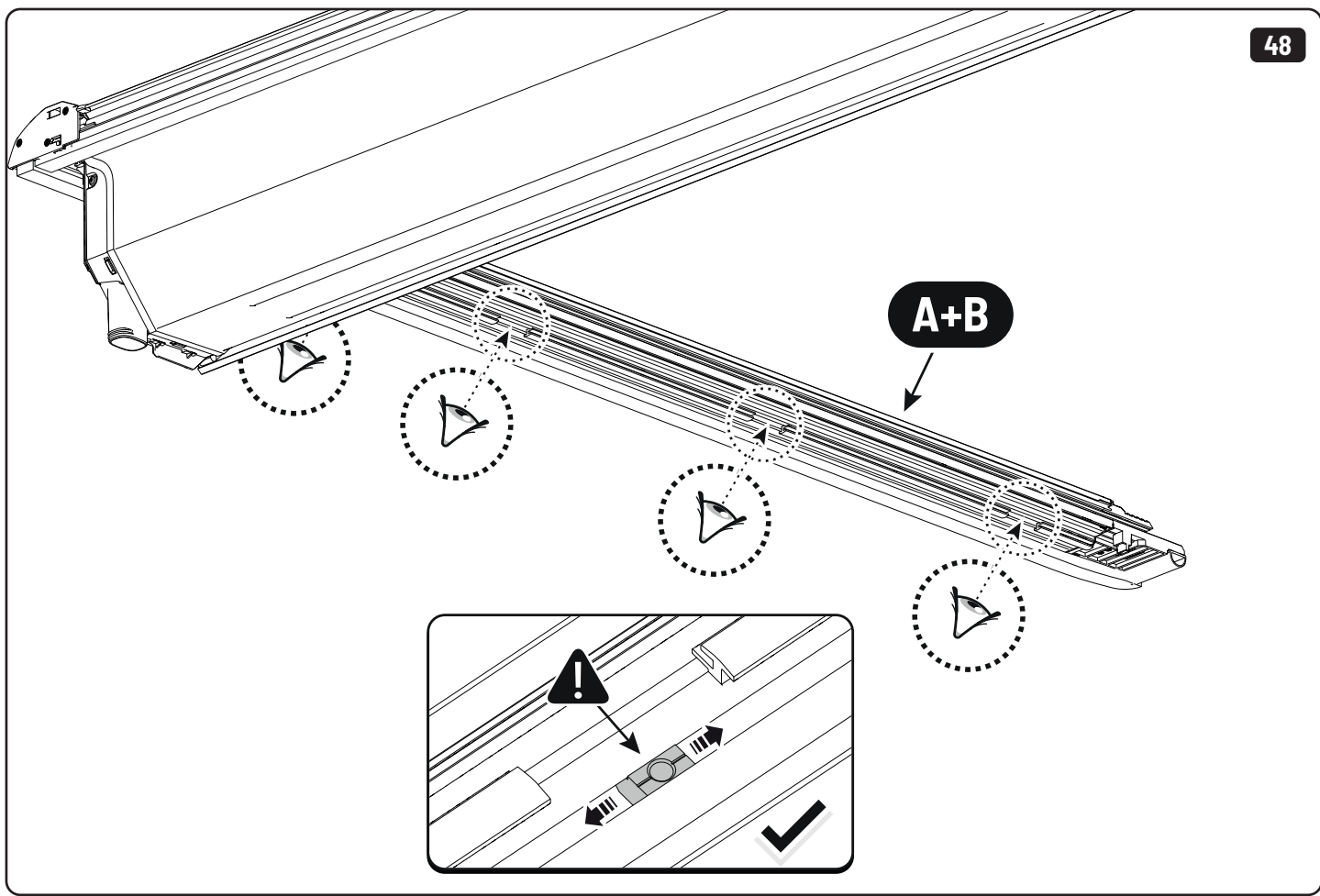


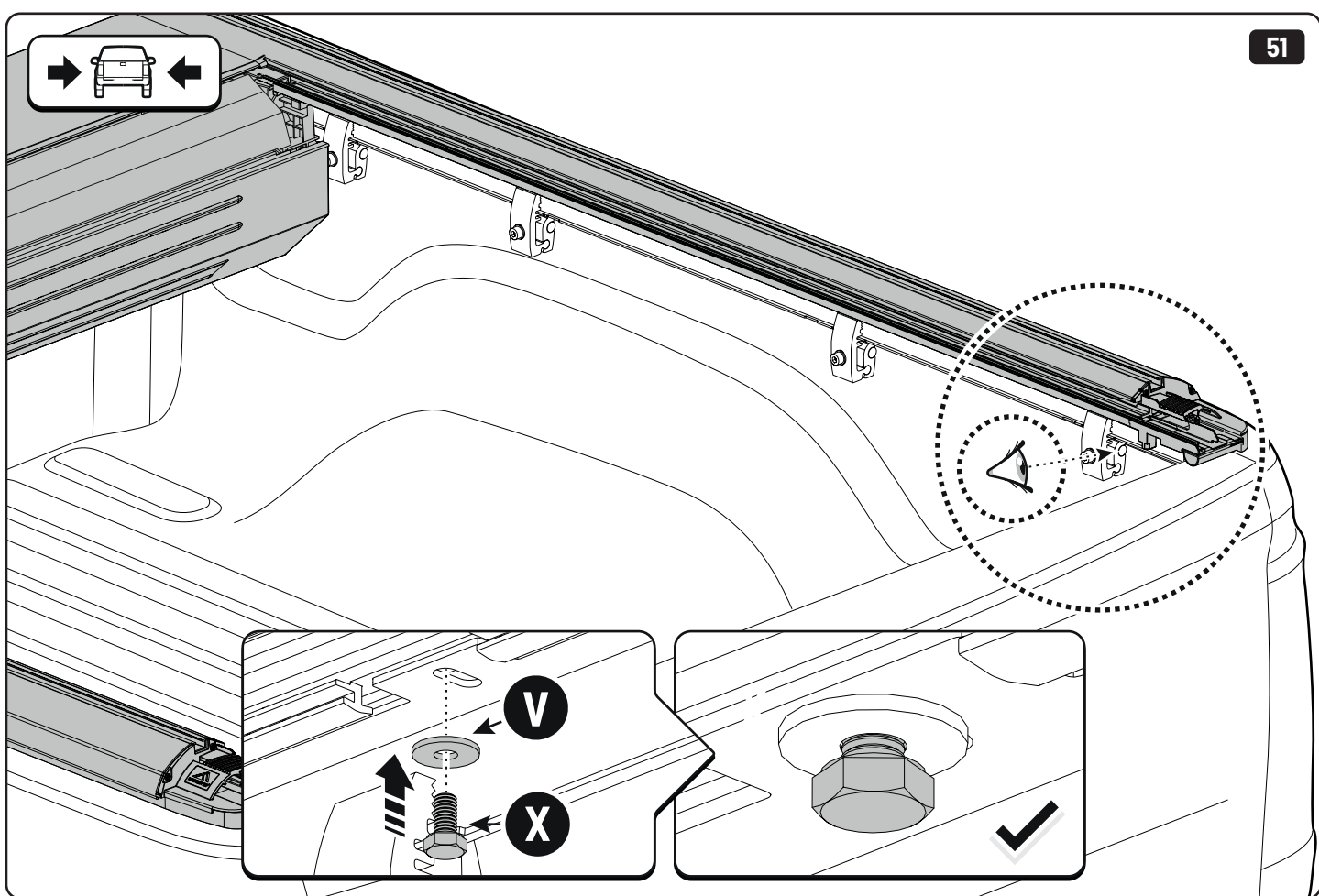
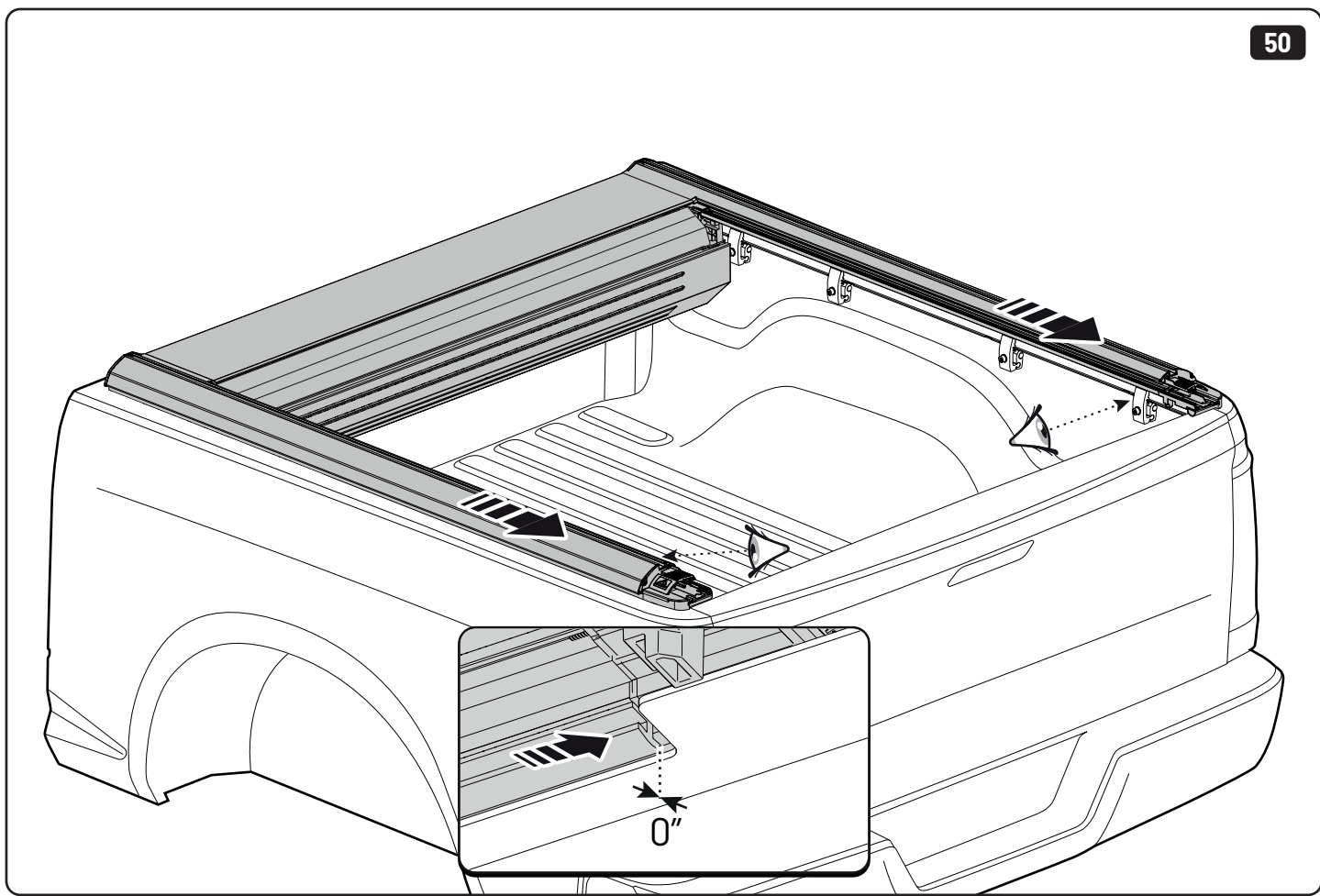


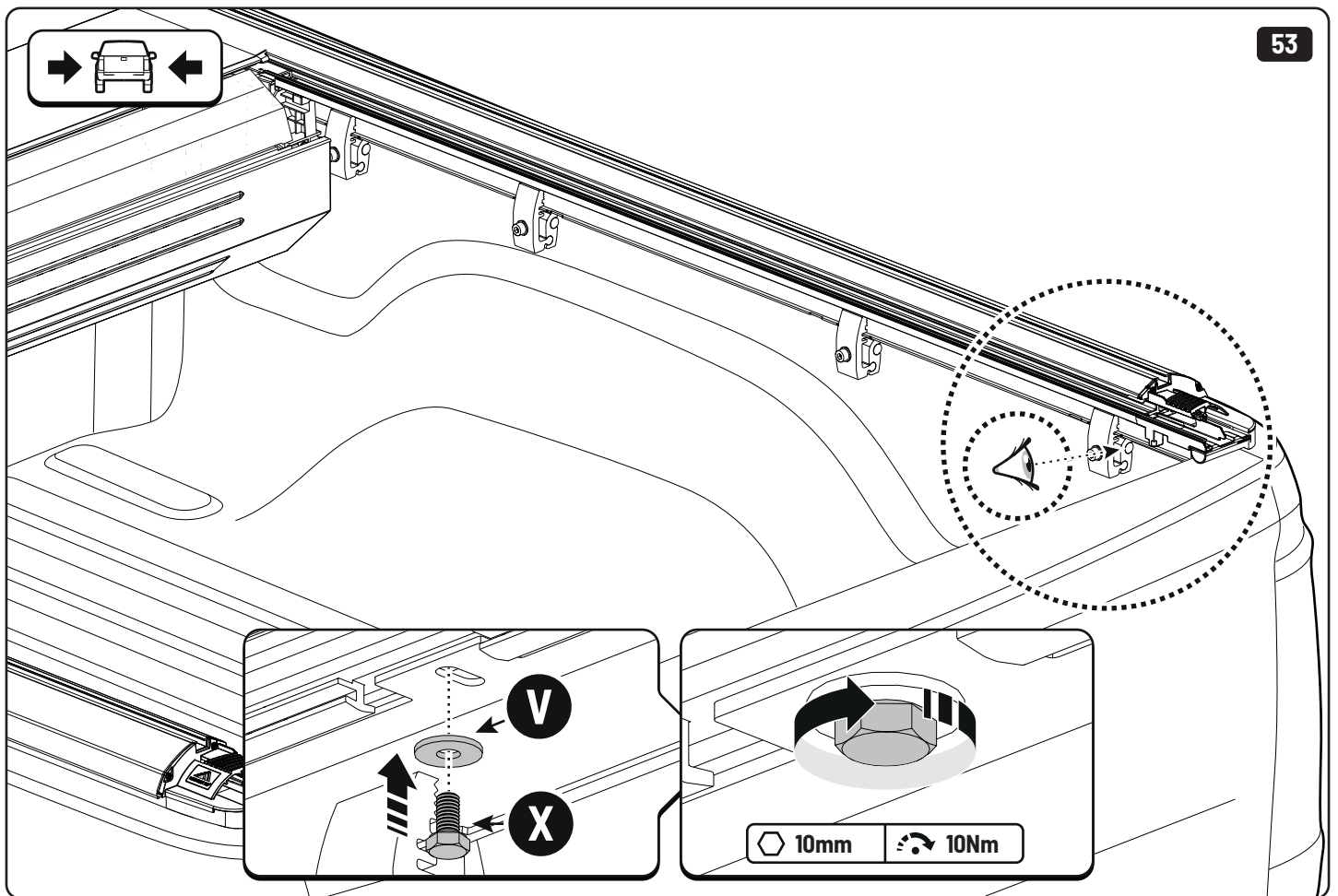
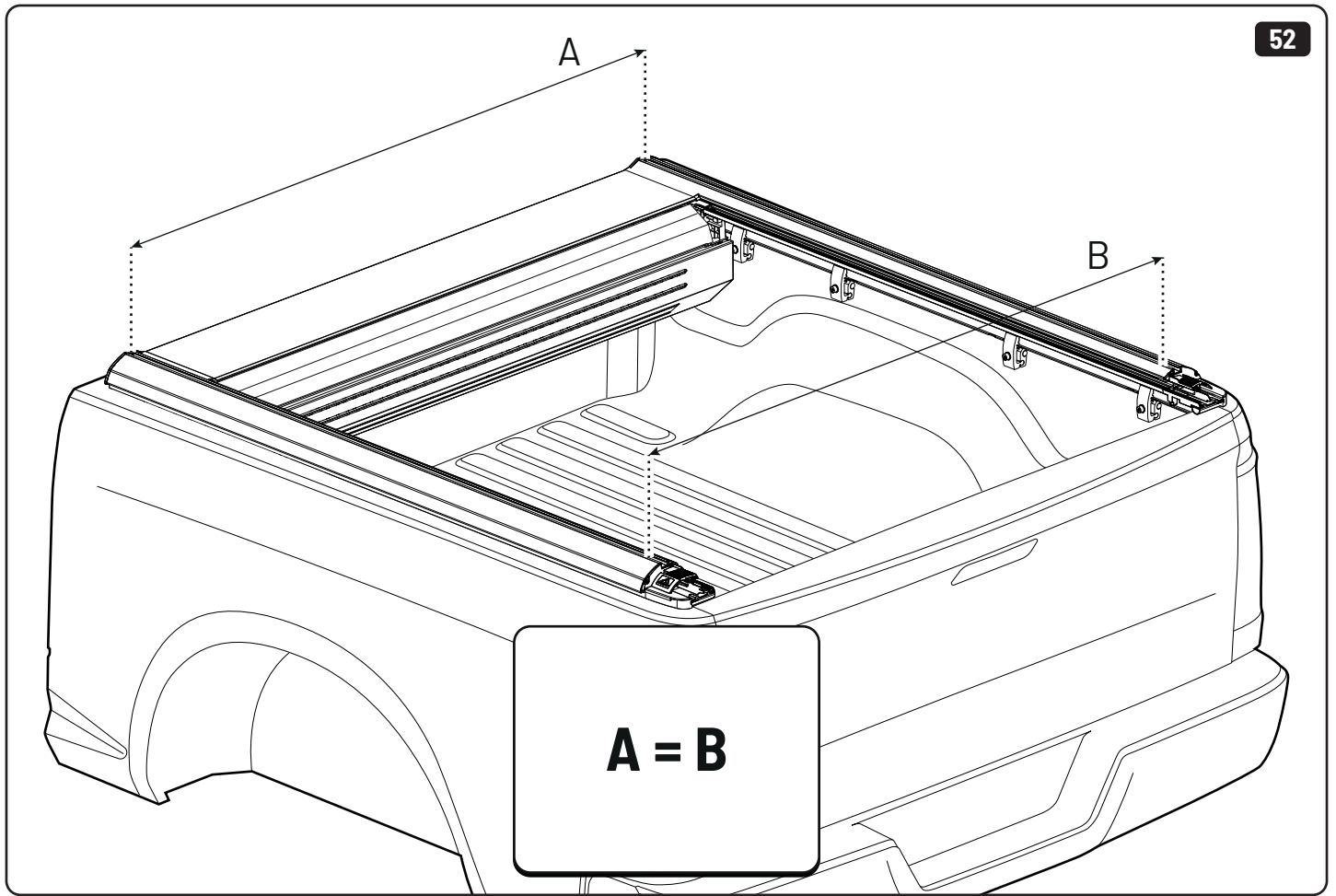




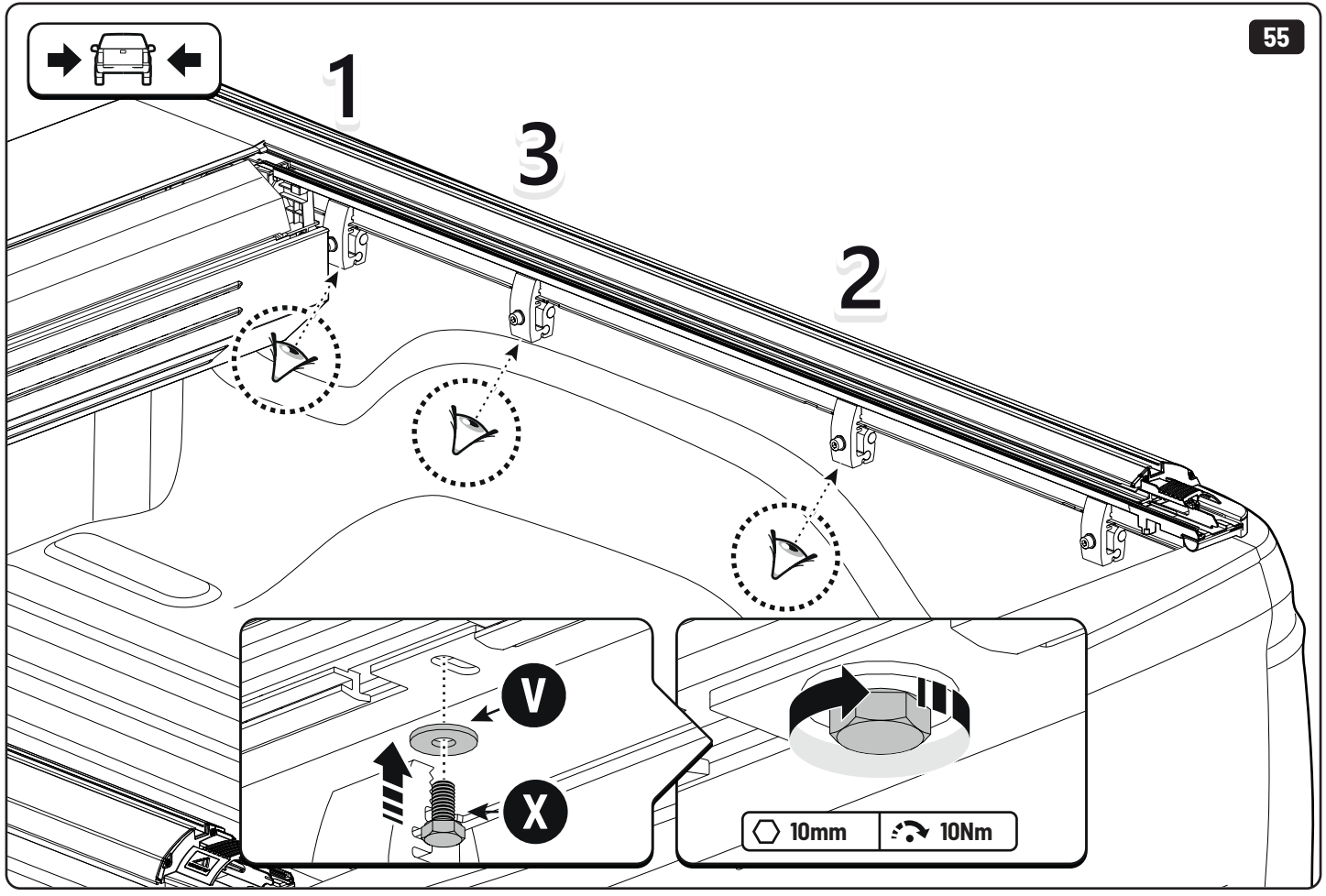
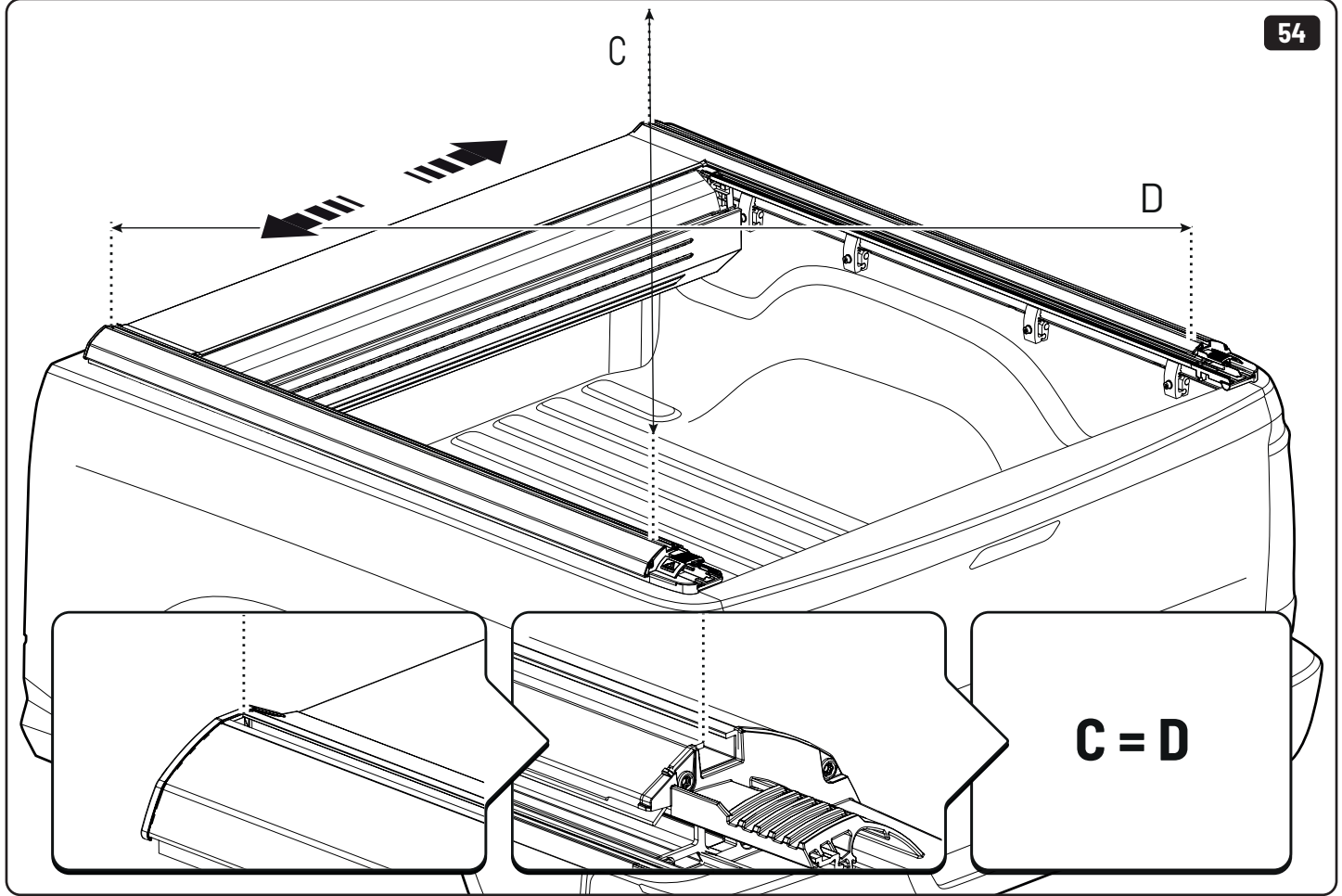


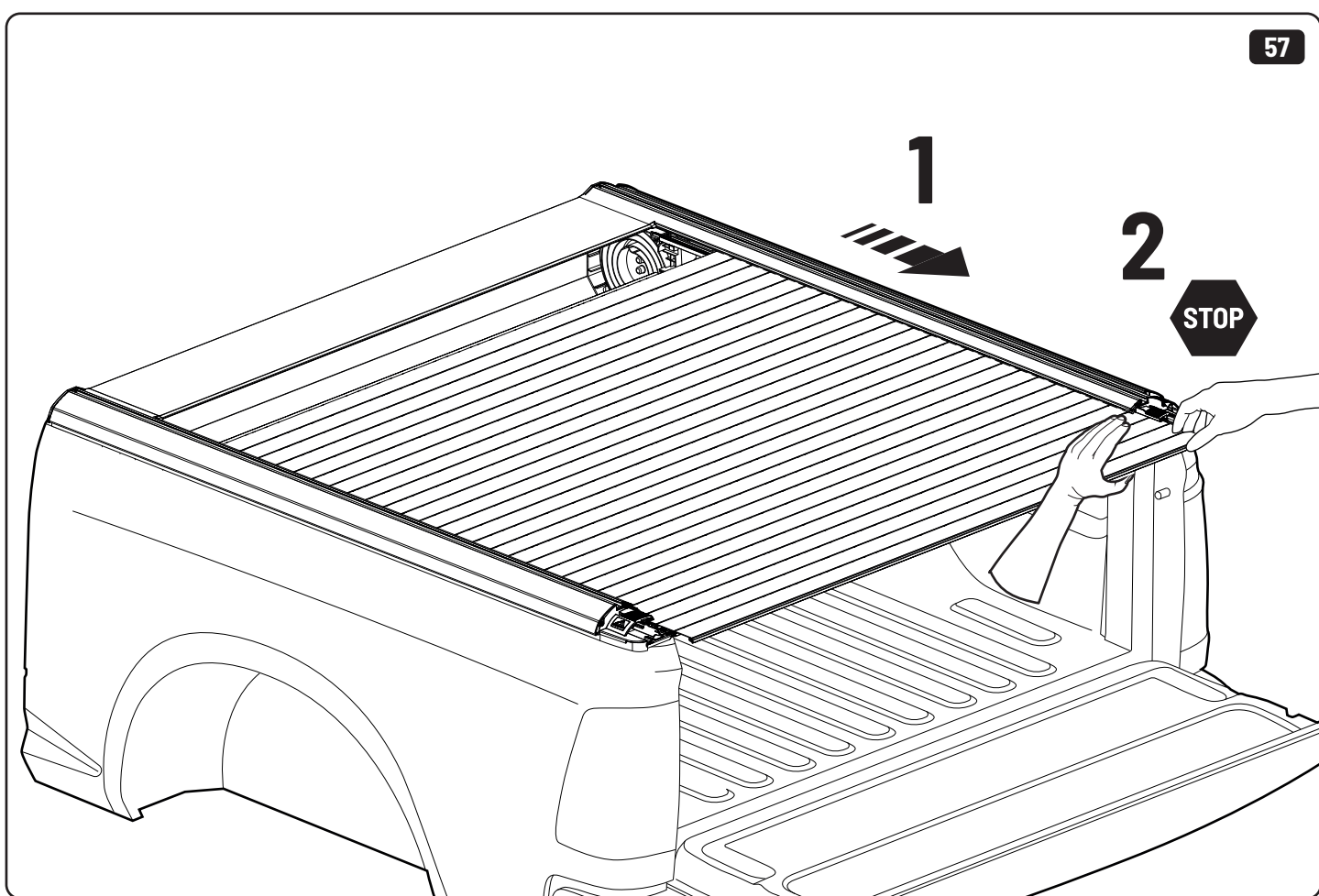
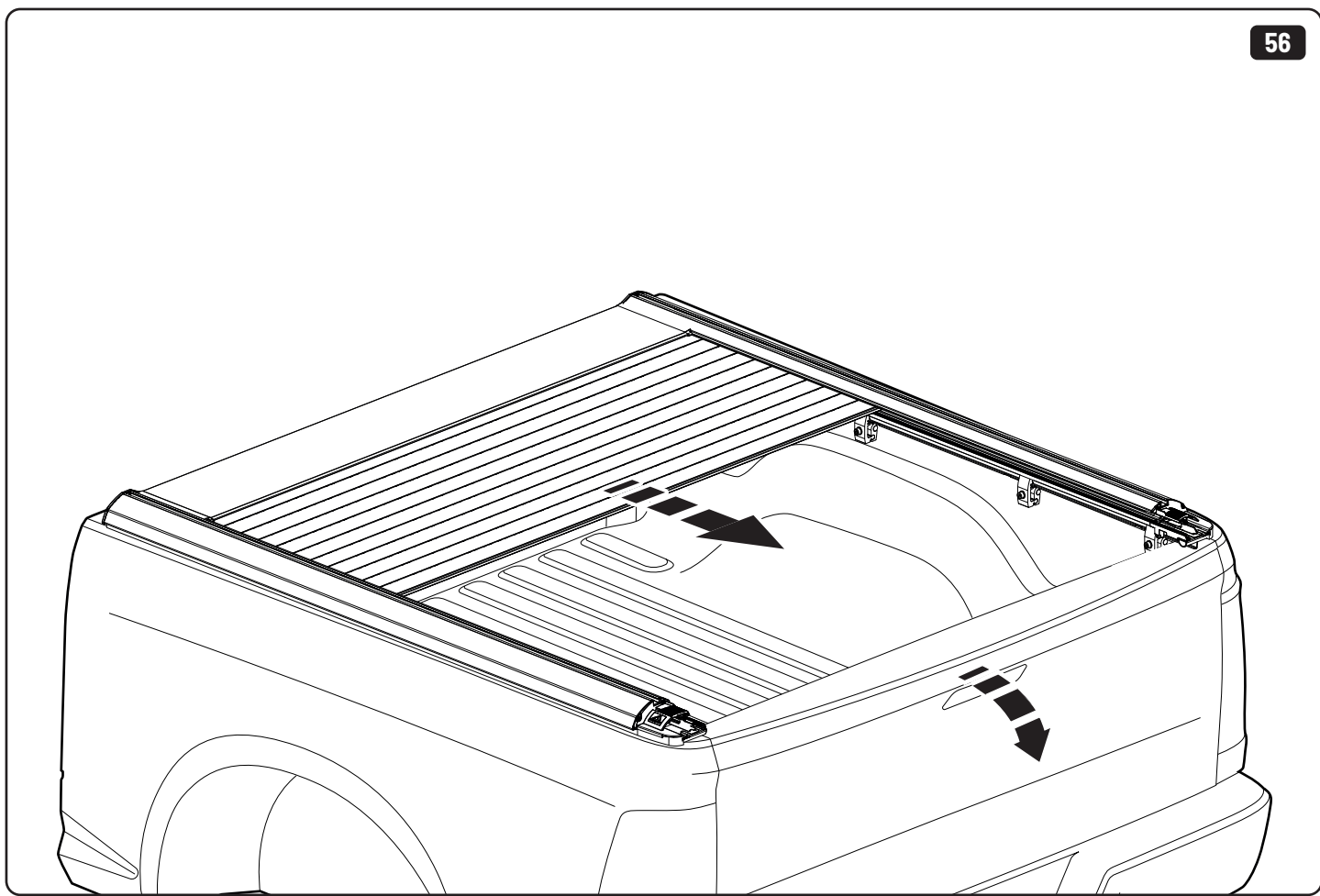


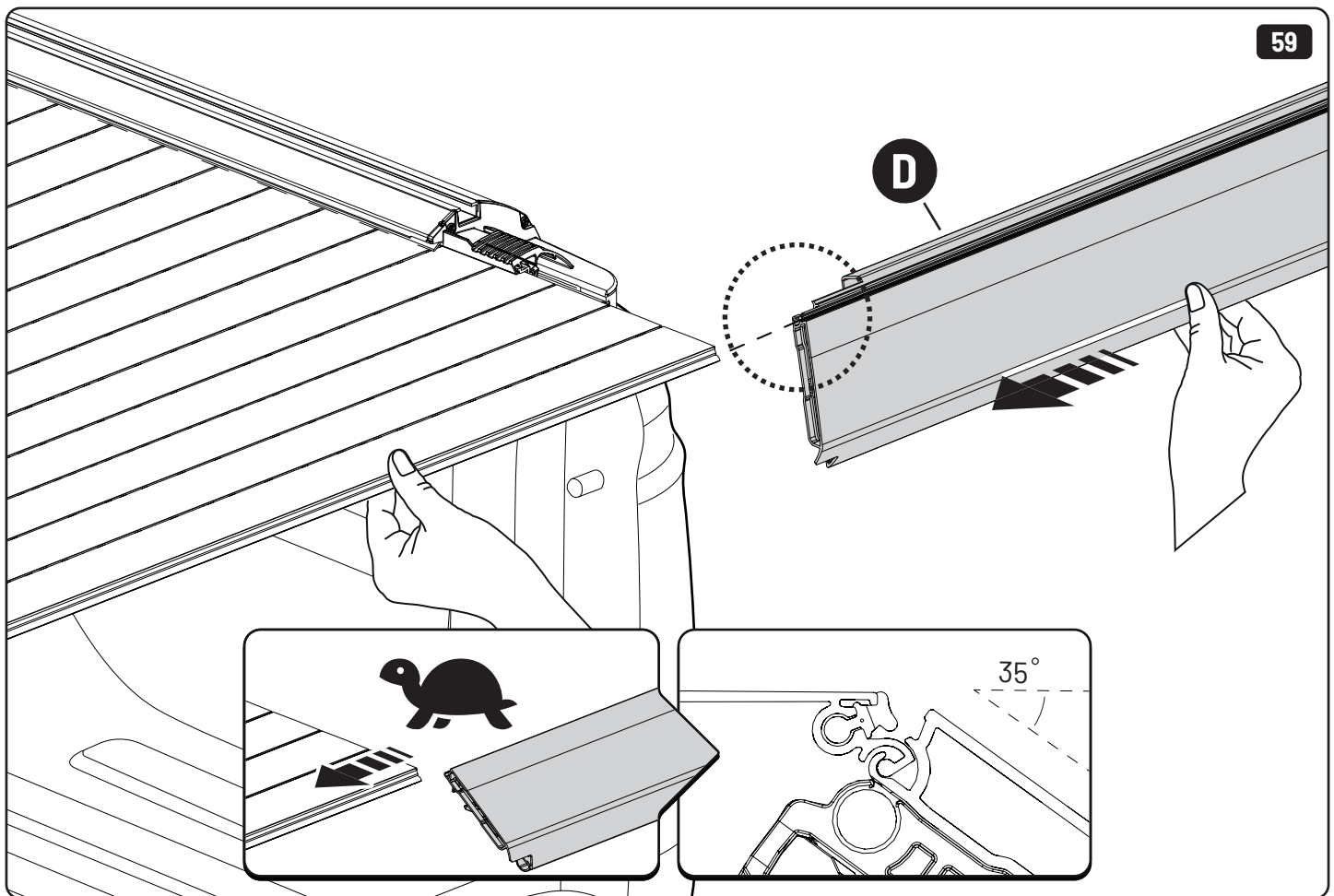
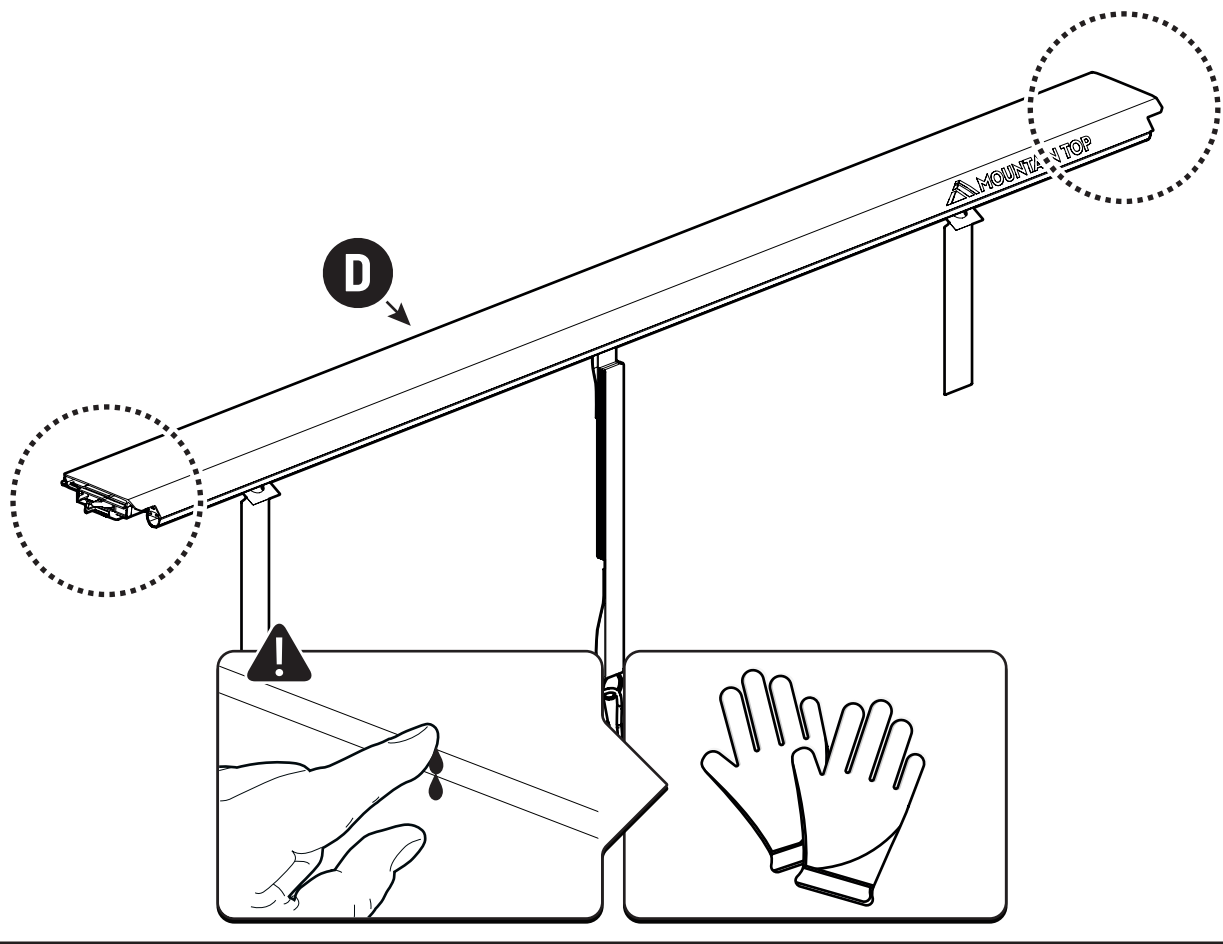


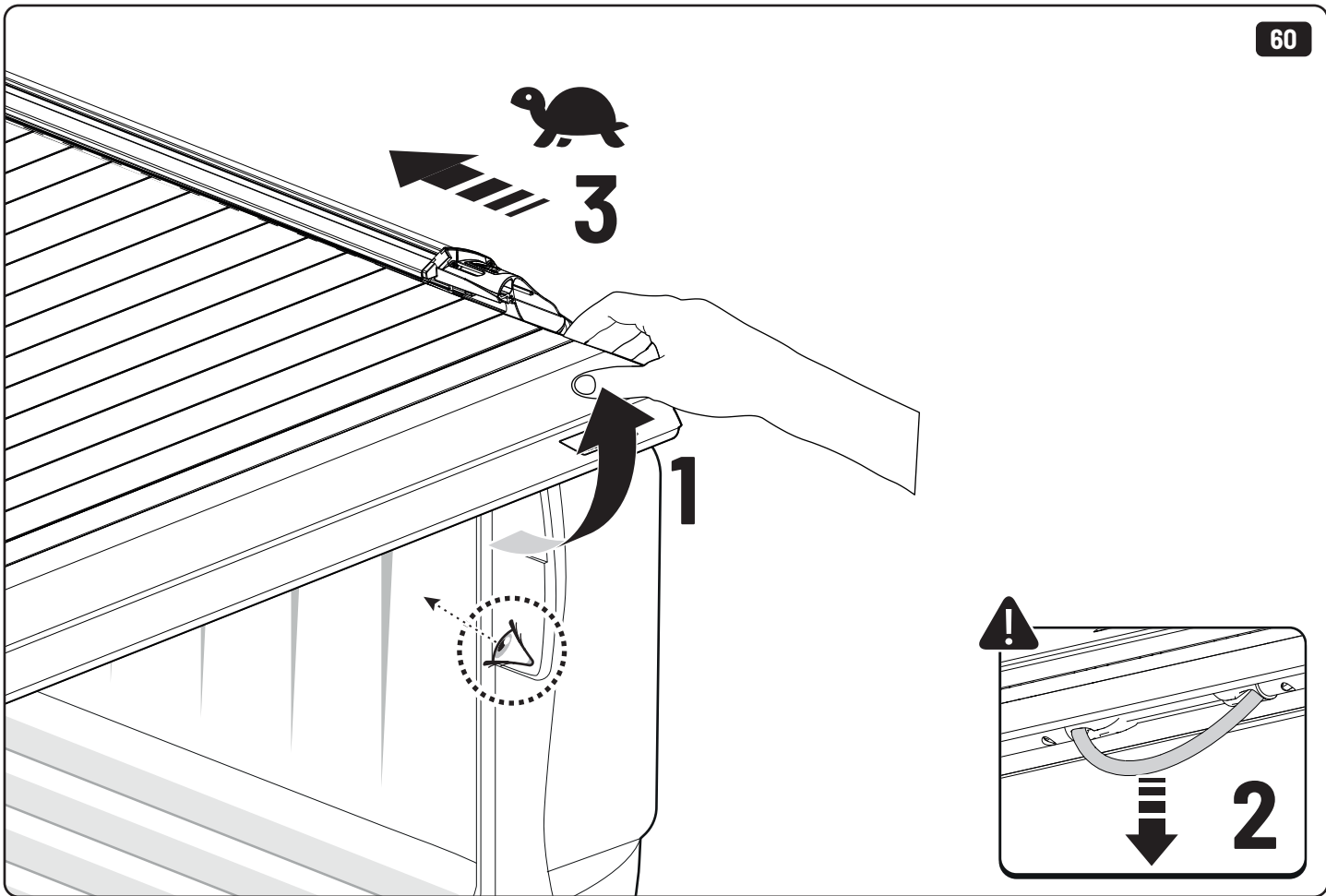


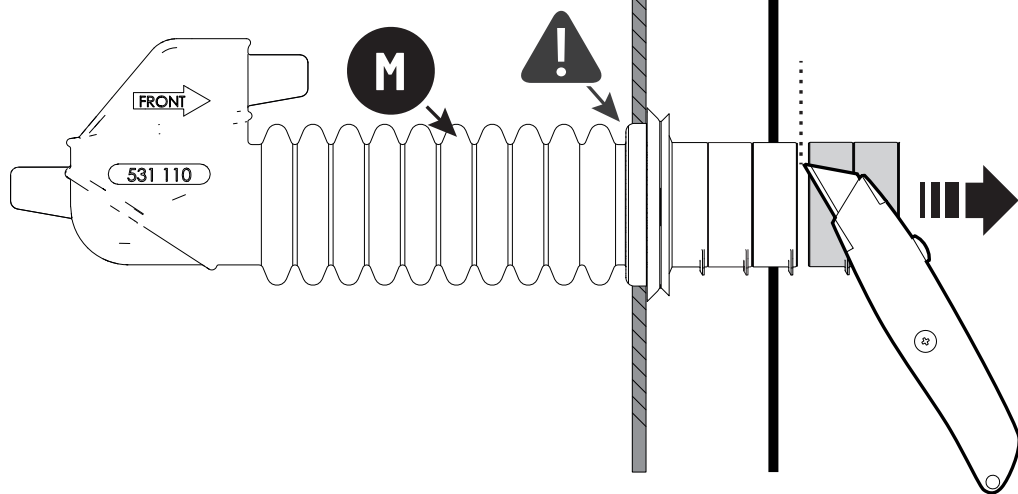
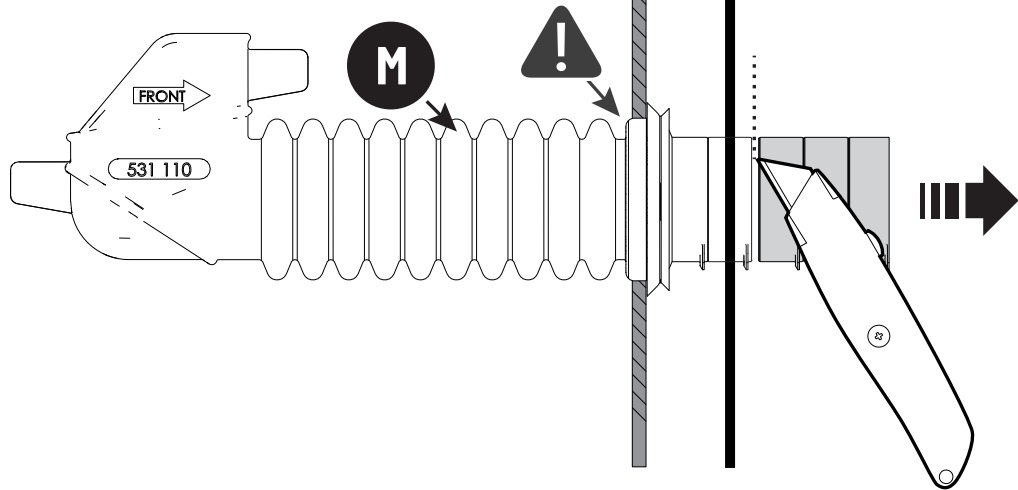
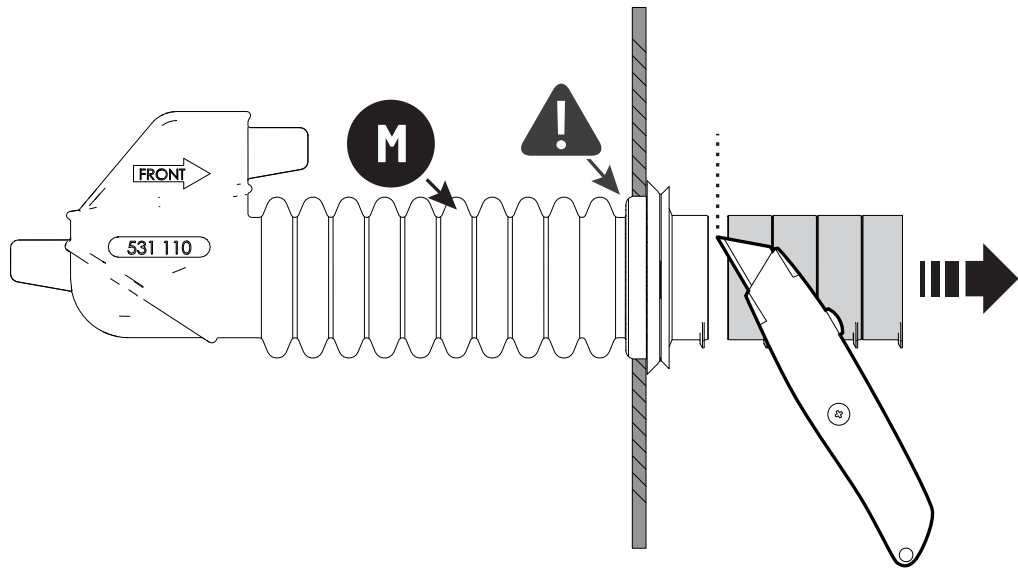


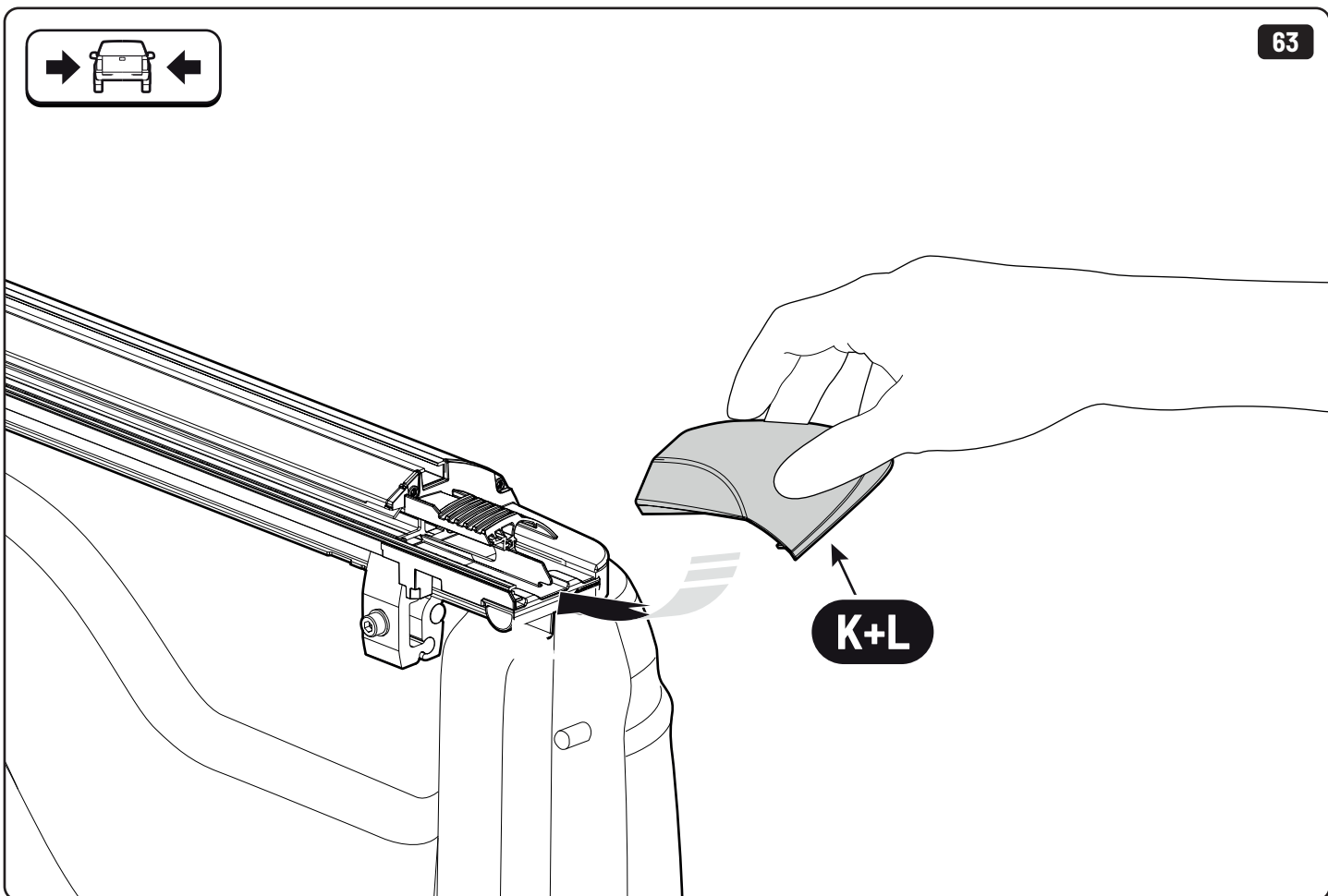
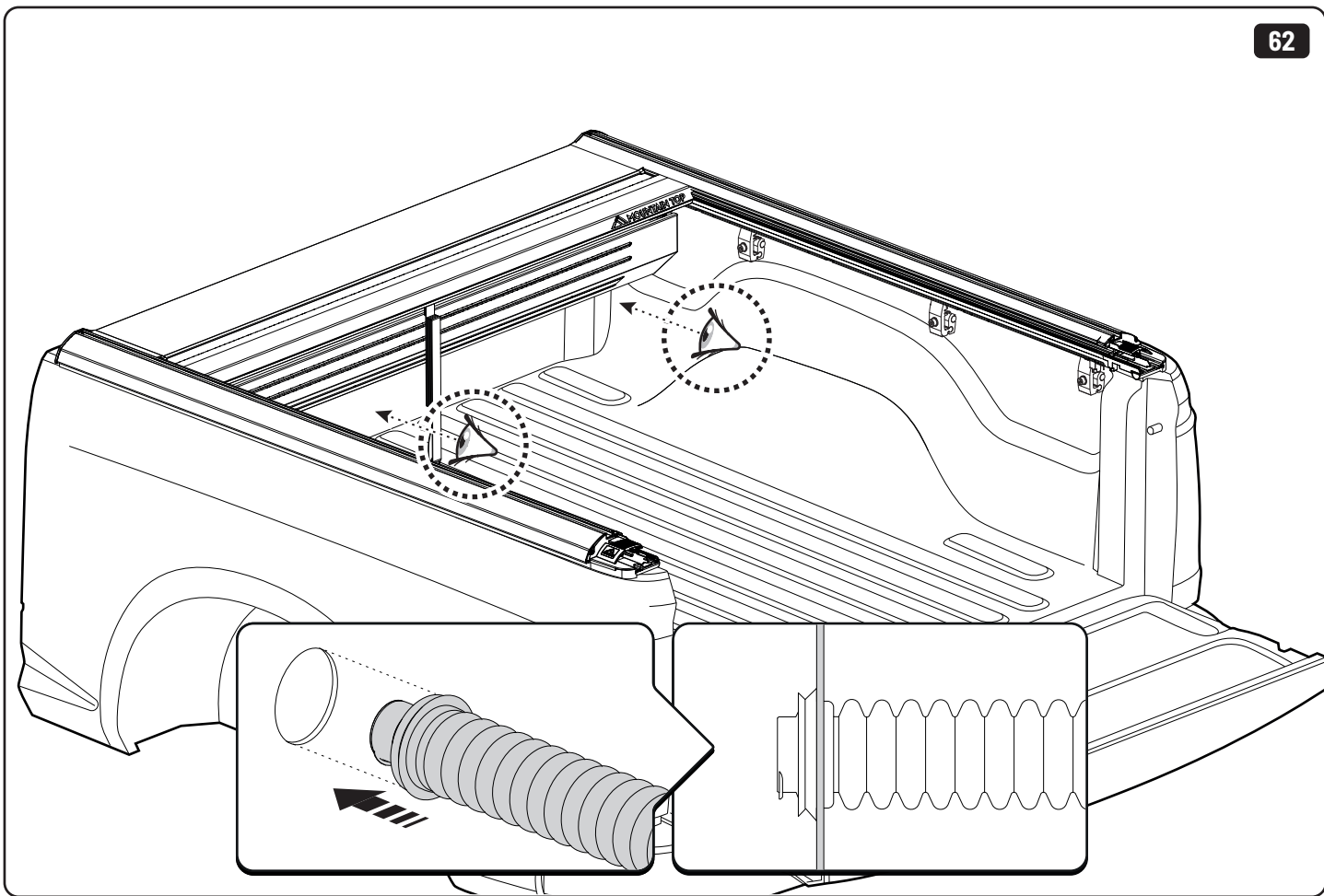


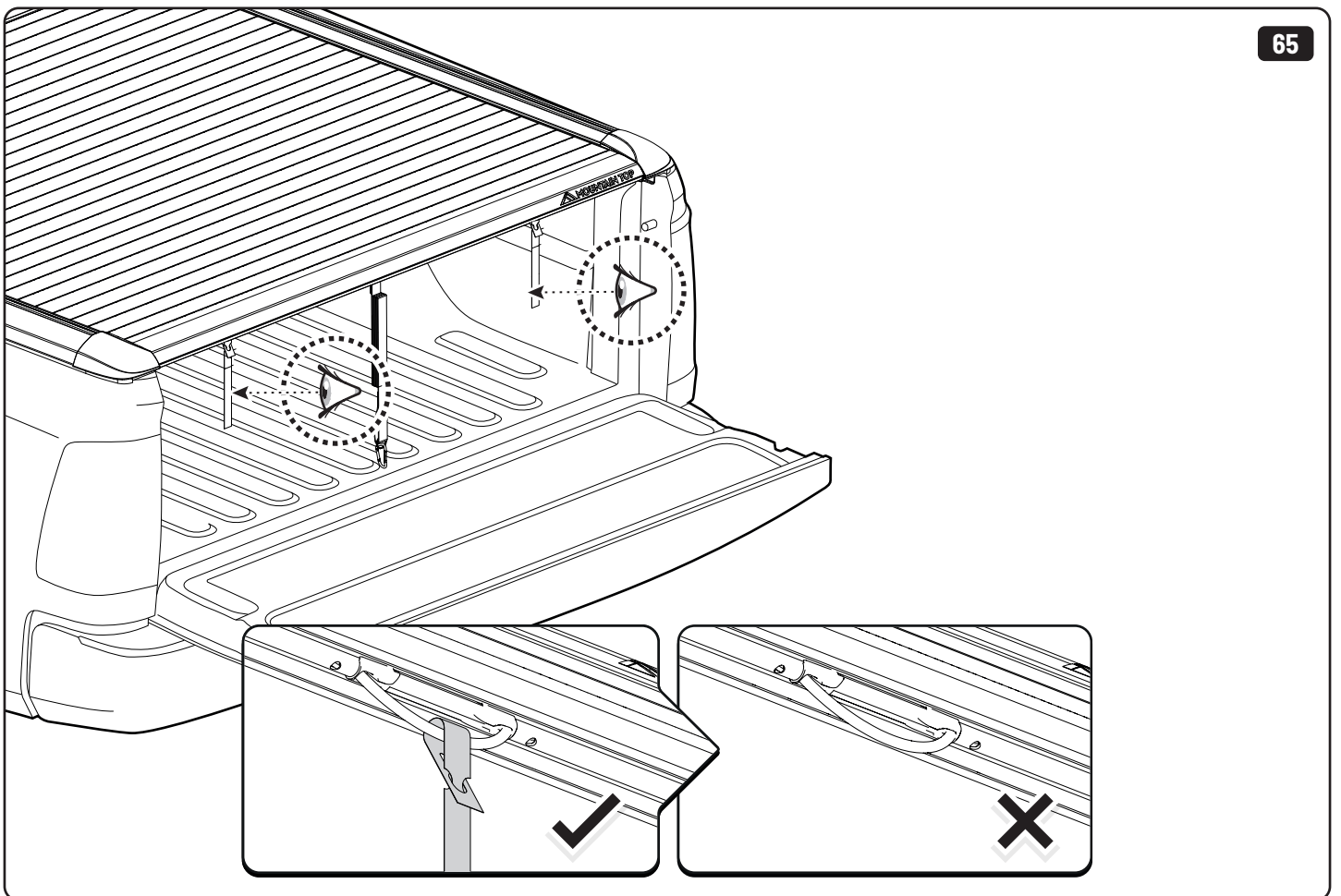
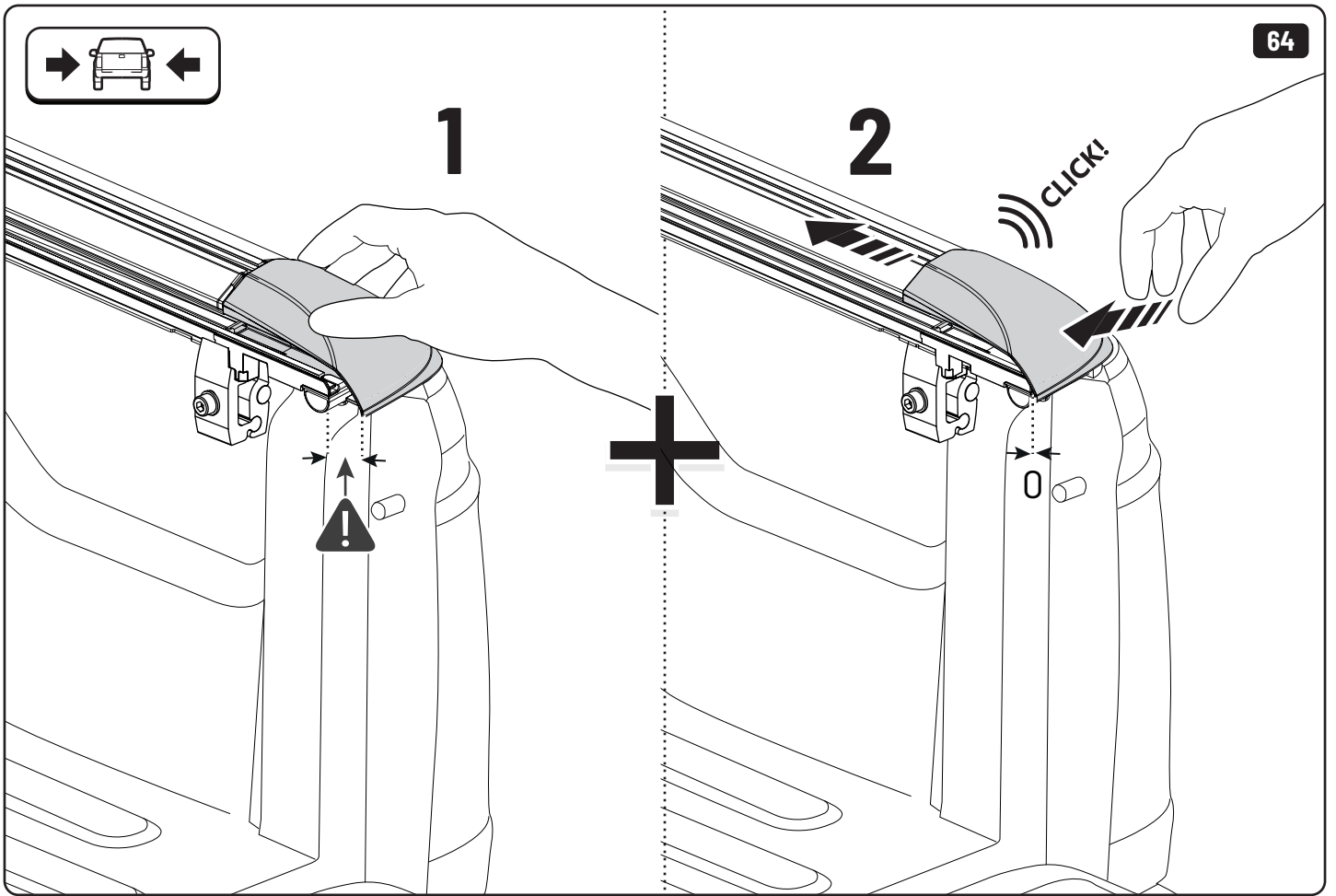












## EV0m Installation checklist



Type of Maintenance	Page	Done by
Mounting gliding rail in canister	15-16	
Holes for drain	24-25	
Placement of bracket	26-27	
With + Cross measurement	32-33	
Tightening the clamp screw	28+33	











Customer Service +45 4810 2950 (08:00 - 16:00 CET)  
Support info@mountaintop.dk  
Website www.mountaintop.dk  
Address Pedersholmparken 10, 3600 Frederikssund, Denmark

Part number (s)	Model / Year	Cab length	Installation time	Weight
Chevrolet Silverado	Model / 2019 - TD	5,5 FT / 6,5 FT	1 hour (s)	44 Kg/48 Kg
Ford F-150	Model / 2015 - TD	5,5 FT / 6,5 FT	1 hour (s)	42 Kg/48 Kg
RAM 1500	Model / 2019 - TD	5,5 FT / 6,5 FT	1 hour (s)	43 Kg/48 Kg
Toyota Tundra	Model / 2007 - TD	5,5 FT	1 hour (s)	42 Kg

<b>GB</b> Installation manual	<b>S</b> Monteringsanvisning	<b>D</b> Einbauanleitung
<b>SF</b> Asennusohje	<b>E</b> Instrucciones de montaje	<b>CZ</b> Návod k instalaci
<b>F</b> Notice de montage	<b>H</b> Szerelési utasítás	<b>I</b> Istruzioni de montaggio
<b>PL</b> Instrukcja montażu	<b>P</b> Instruções de instalação	<b>GR</b> Οδηγίες Εγκατάστασης
<b>NL</b> Installatie-instructies	<b>RUS</b> Инструкция по установке	<b>DK</b> Monteringsvejledning
<b>TR</b> Montaj Talimatı	<b>N</b> Monteringsveiledning	<b>RO</b> Instructiuni de instalare