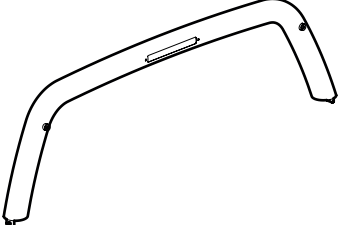
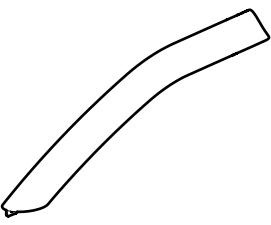
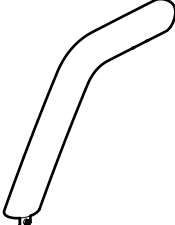

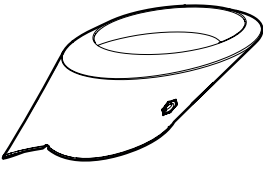
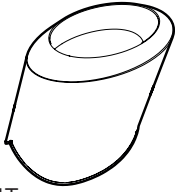


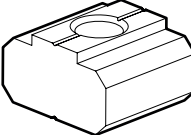
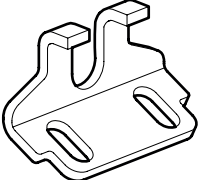
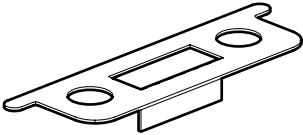
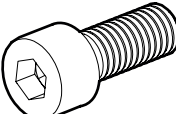
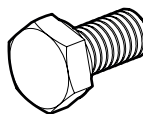
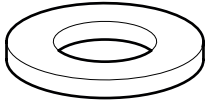
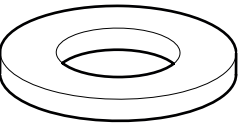
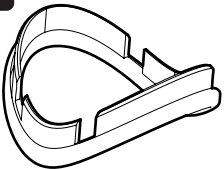


MOUNTAIN TOP® SPORTS BAR

Installation manual

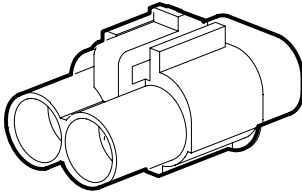
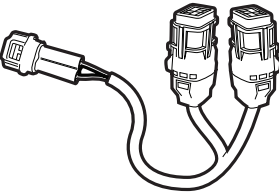
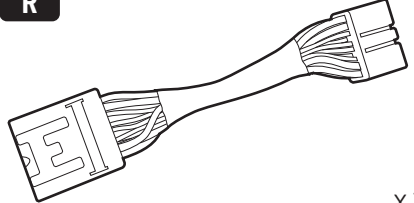
Parts

<p>A</p>  <p>x1</p>	<p>B</p>  <p>LEFT x1</p>	<p>C</p>  <p>RIGHT x1</p>
<p>D</p>  <p>FRONT x2</p>	<p>E</p>  <p>REAR LEFT x1</p>	<p>F</p>  <p>REAR RIGHT x1</p>

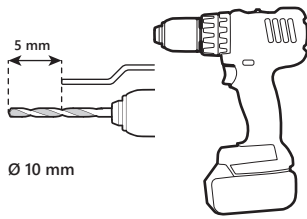
Parts

<p>G</p>  <p>x8</p>	<p>H</p>  <p>x4</p>	<p>I</p>  <p>x4</p>	
<p>J</p>  <p>x6</p>	<p>K</p>  <p>x8</p>	<p>L</p>  <p>x8</p>	
<p>M</p>  <p>x6</p>	<p>N</p>  <p>x2</p>	<p>O</p>  <p>x2</p>	<p></p> <p>Installation manual x1</p>

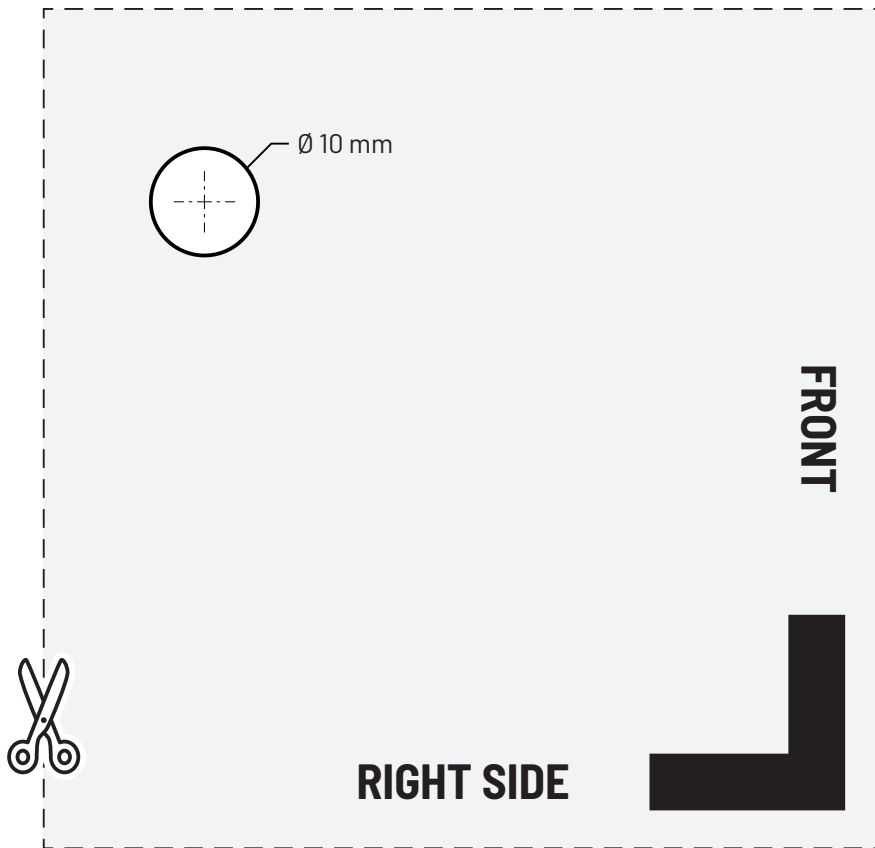
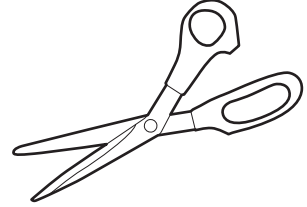
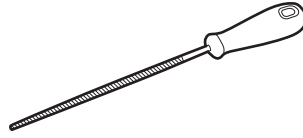
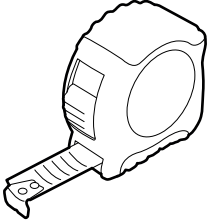
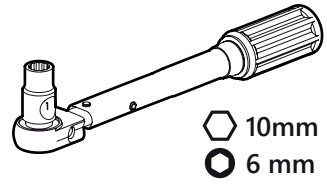
Parts

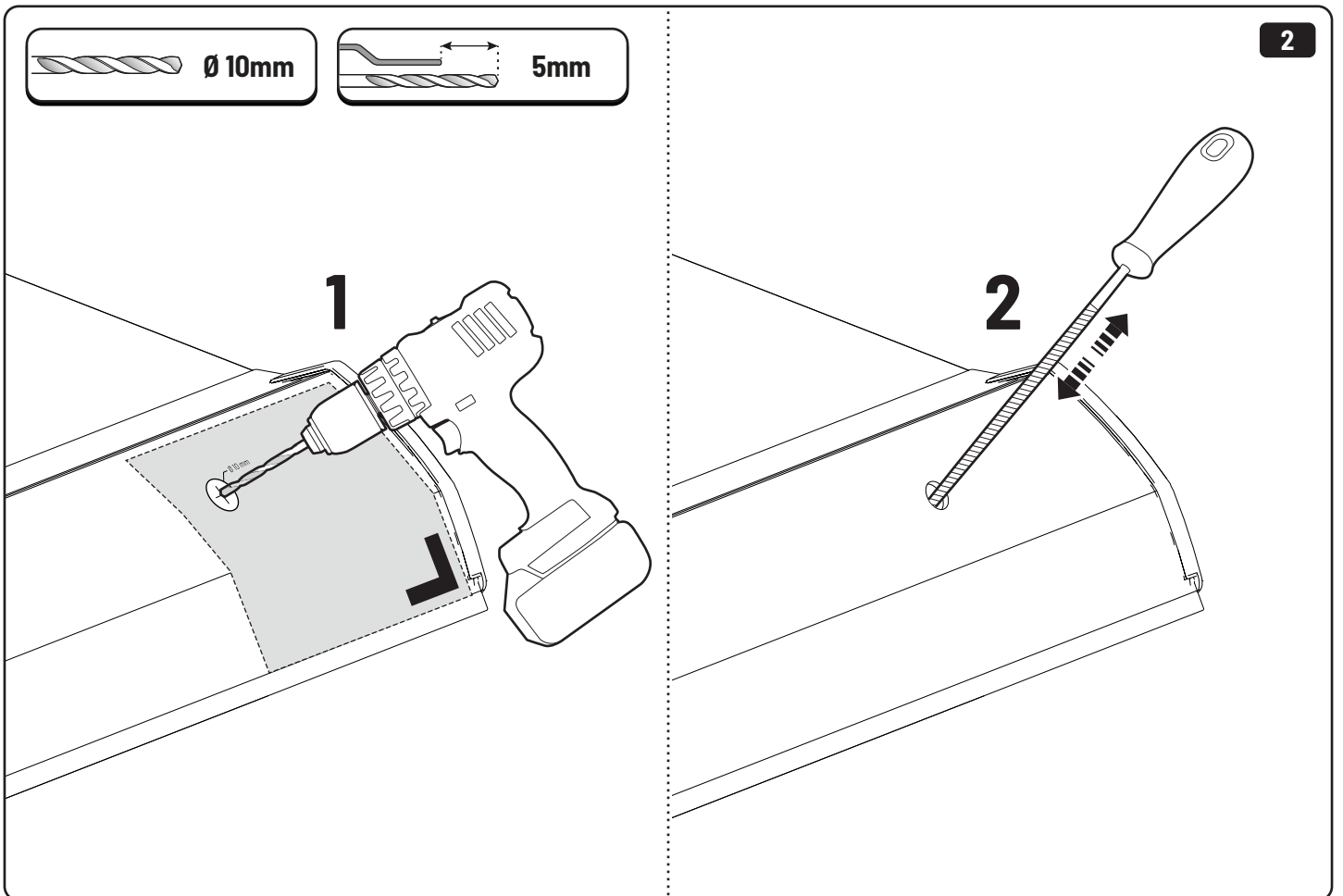
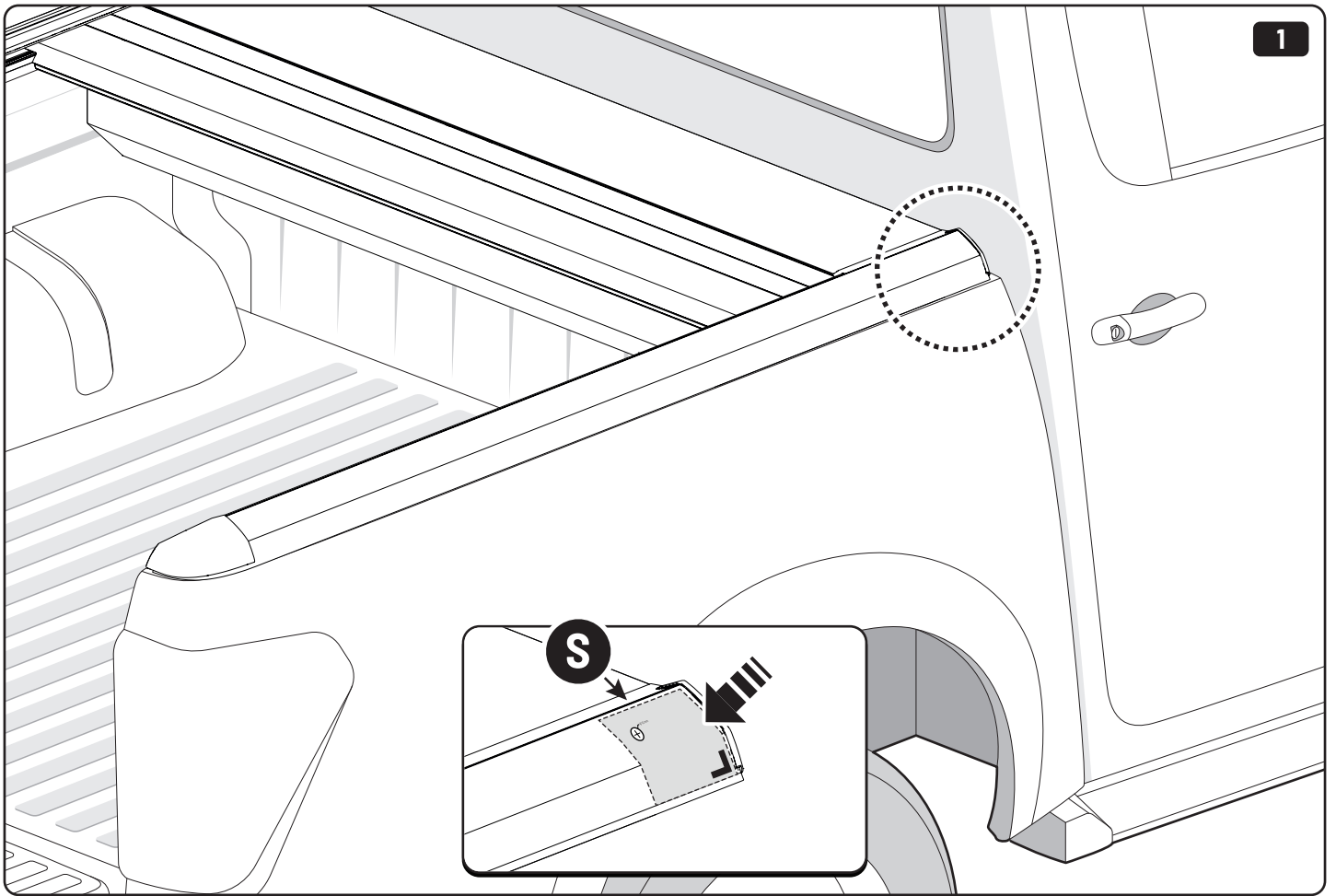
<p>P</p>  <p>x1</p>	<p>Q</p>  <p>x1</p>	<p>R</p>  <p>x1</p>
---	---	---

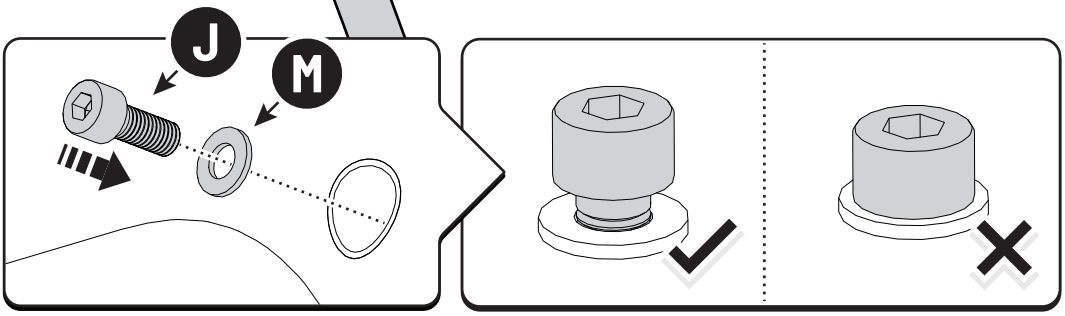
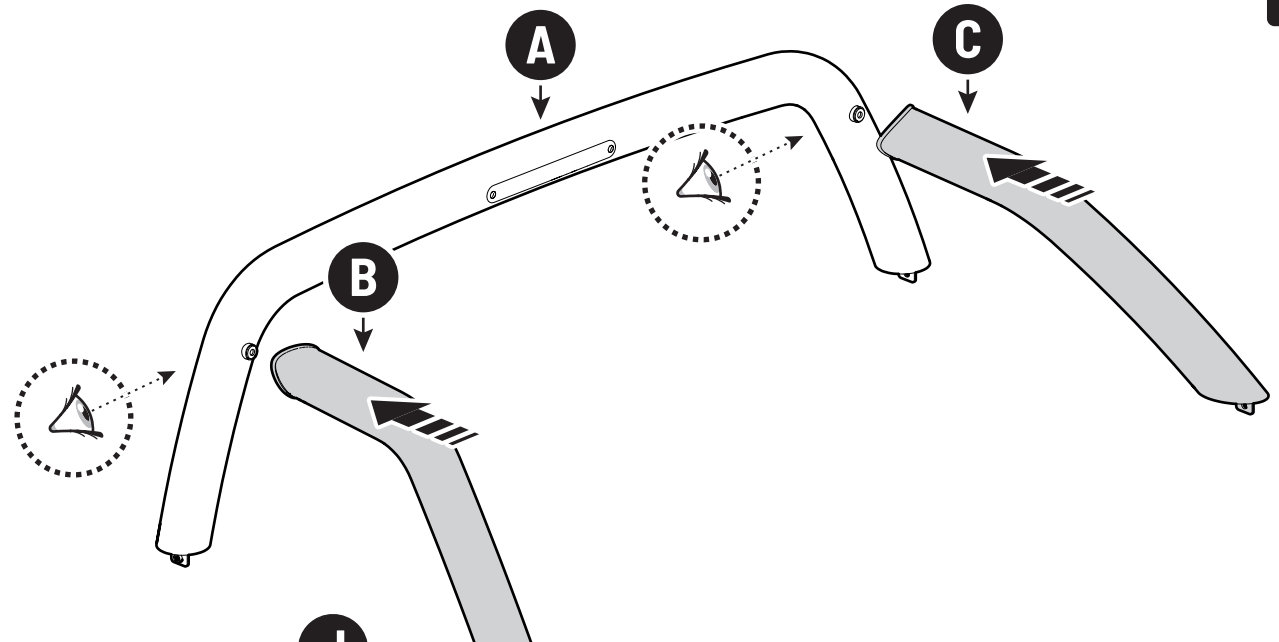
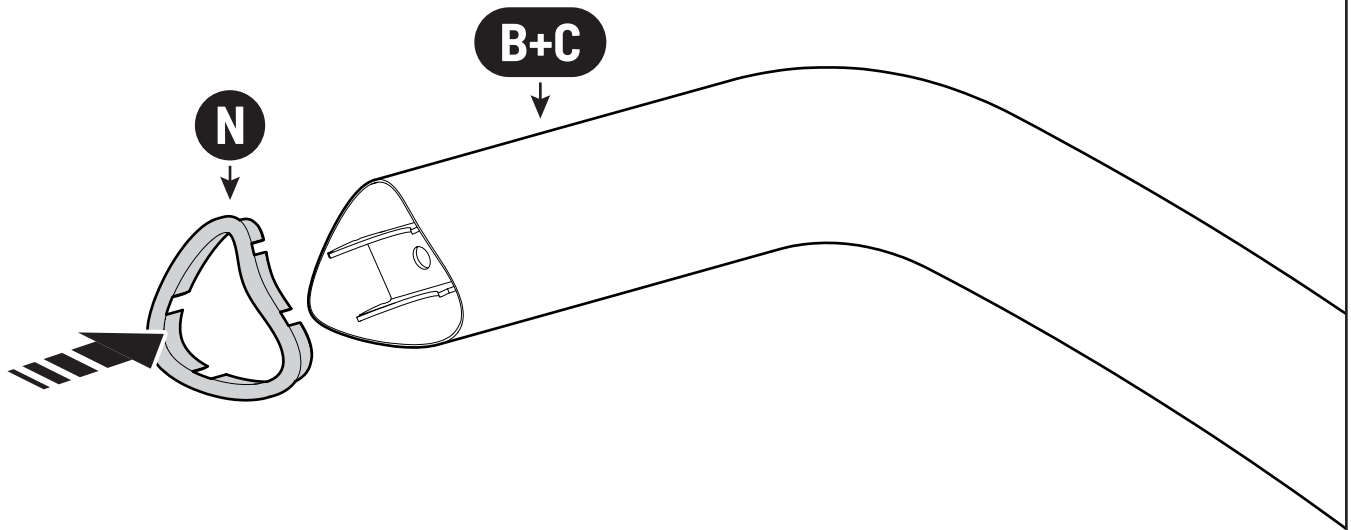
Tools and materials needed



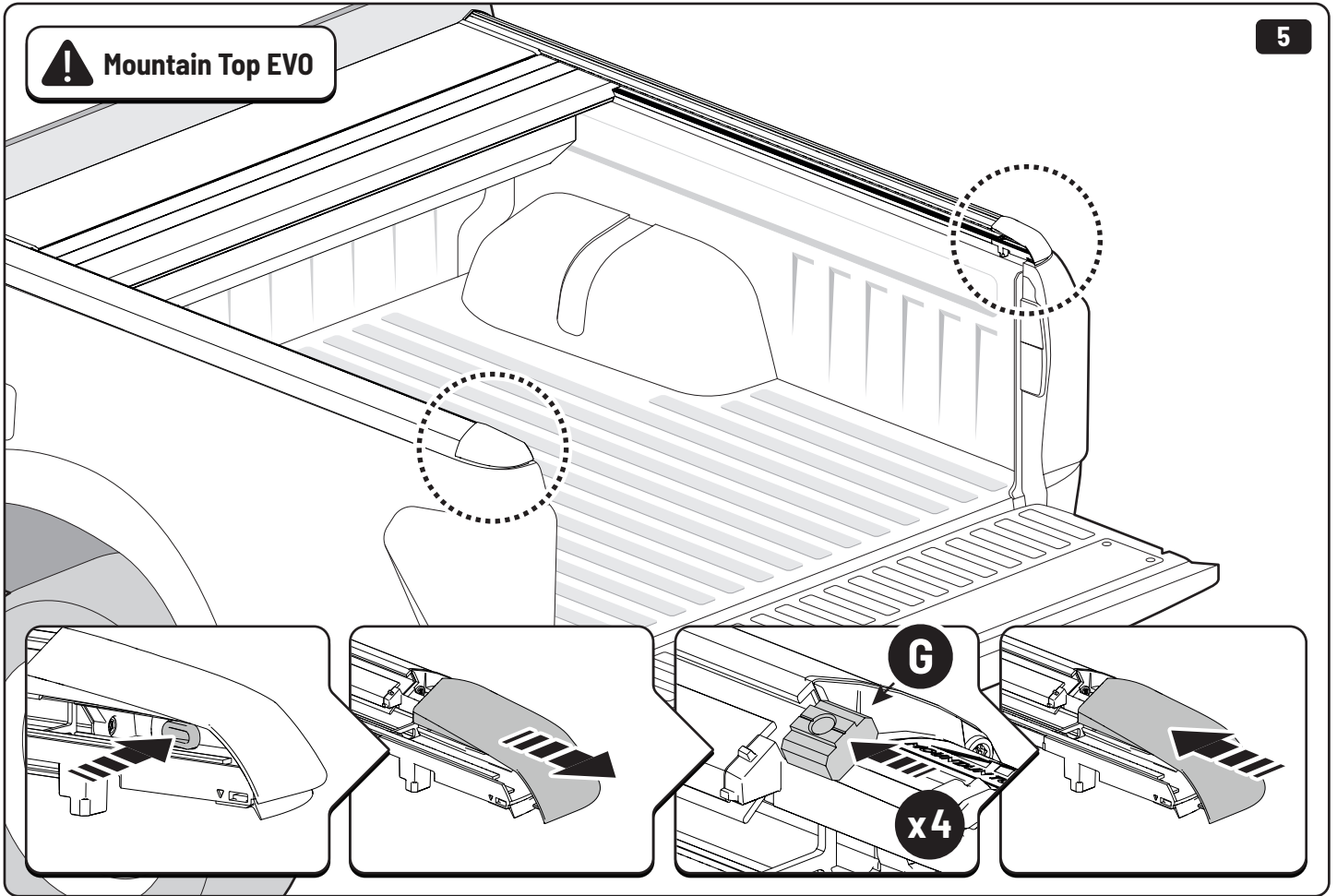
1 - 25 Nm



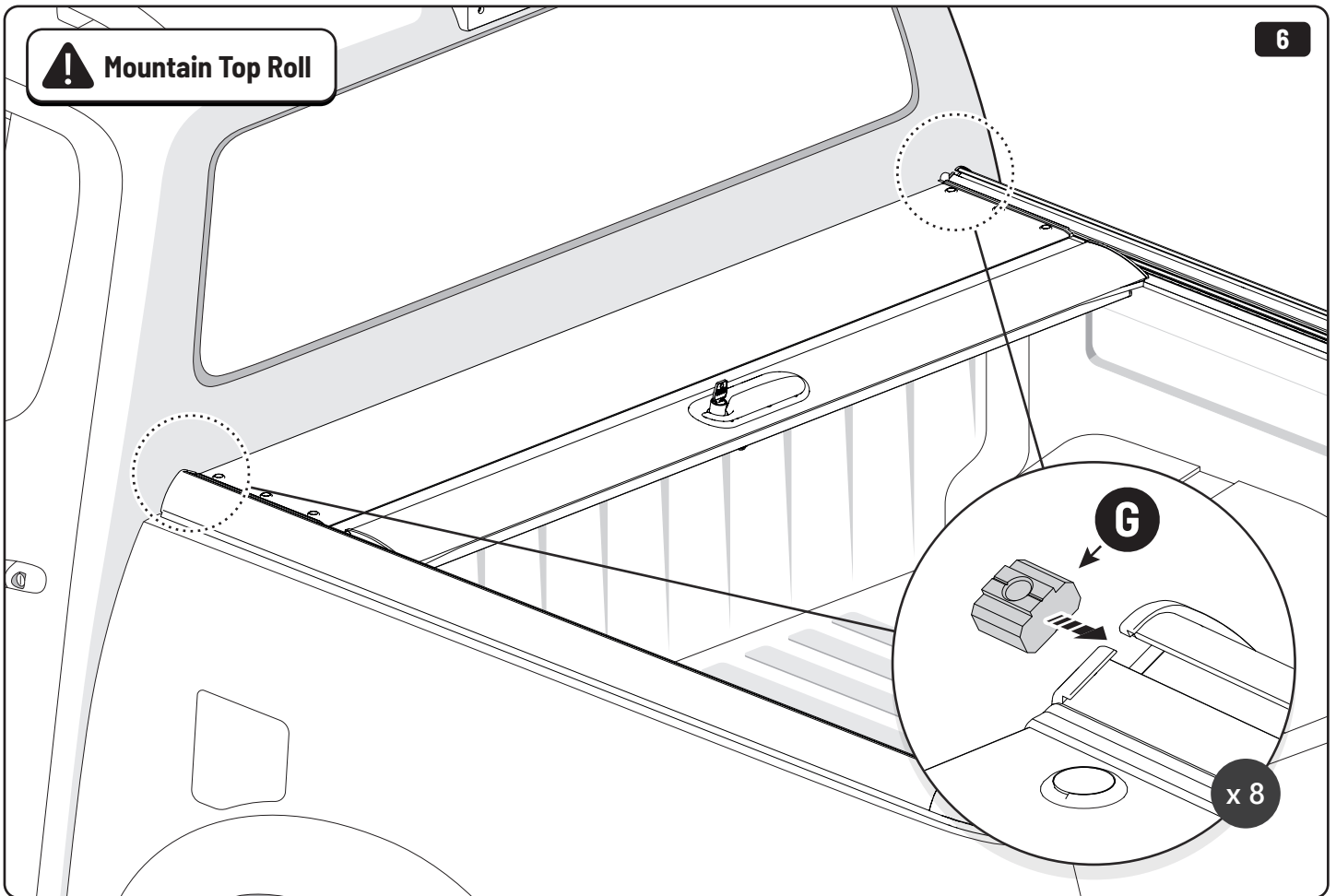




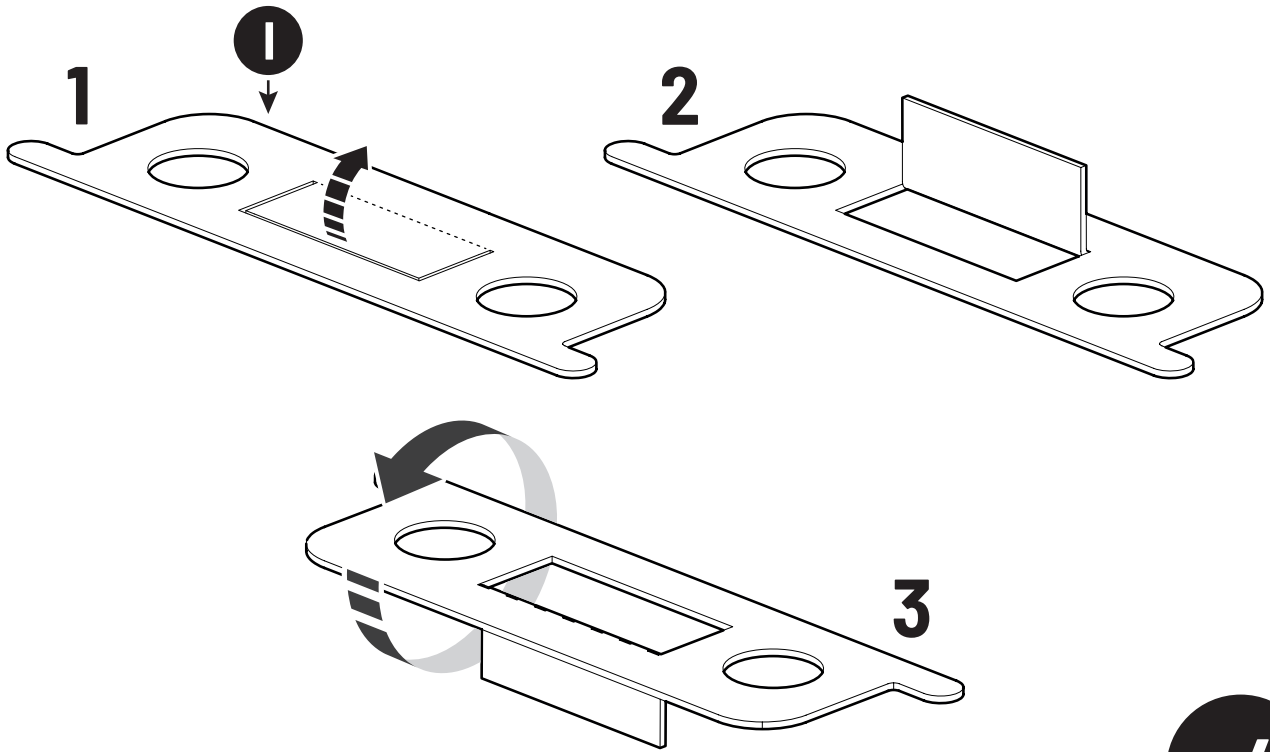
! Mountain Top EVO



! Mountain Top Roll

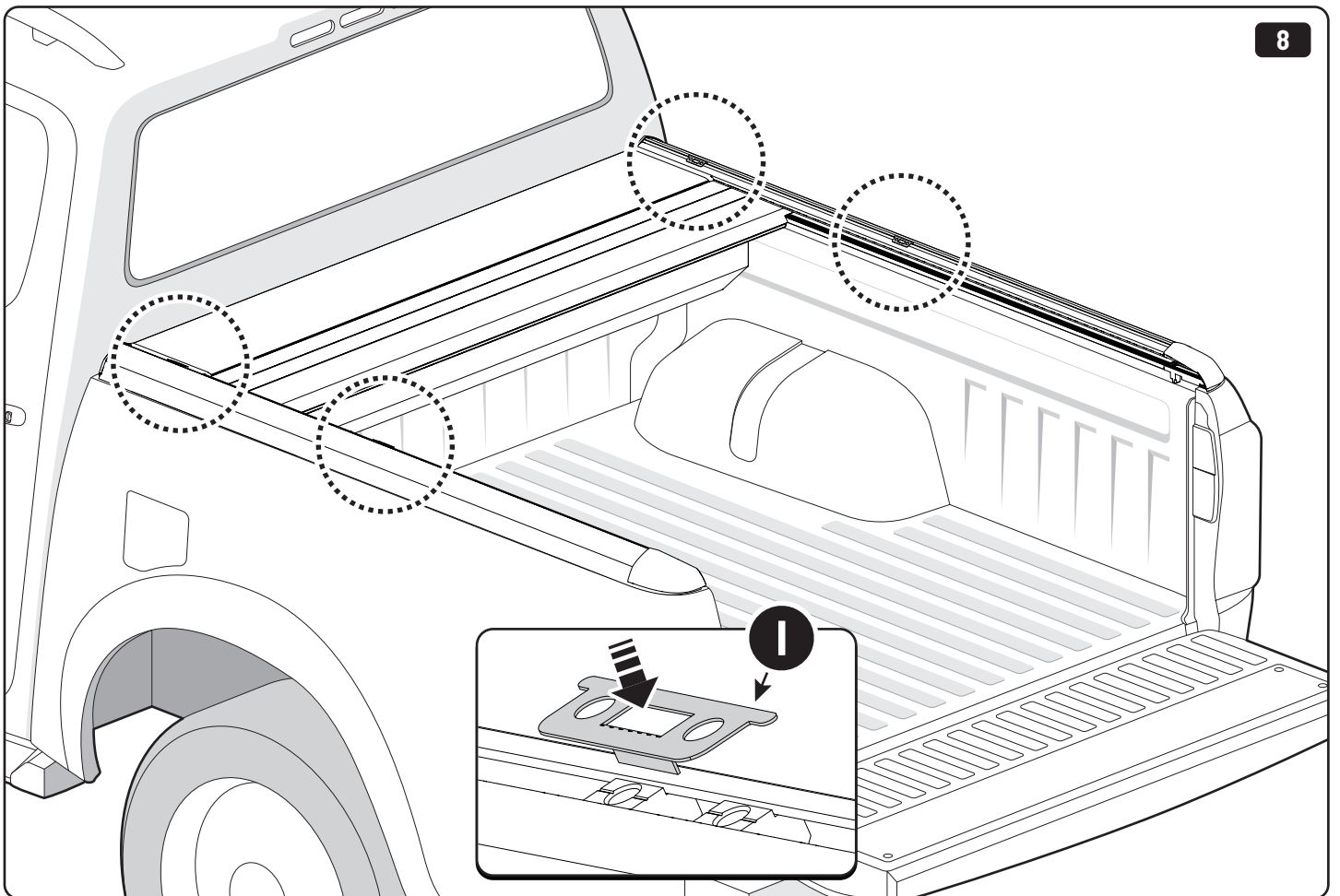


7

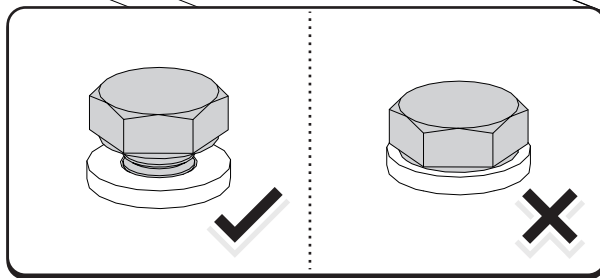
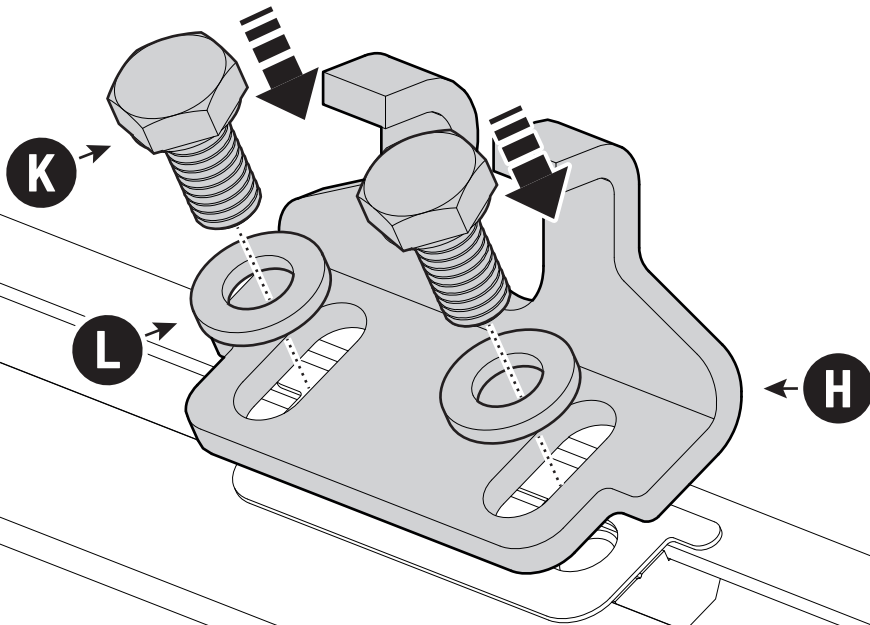


x4

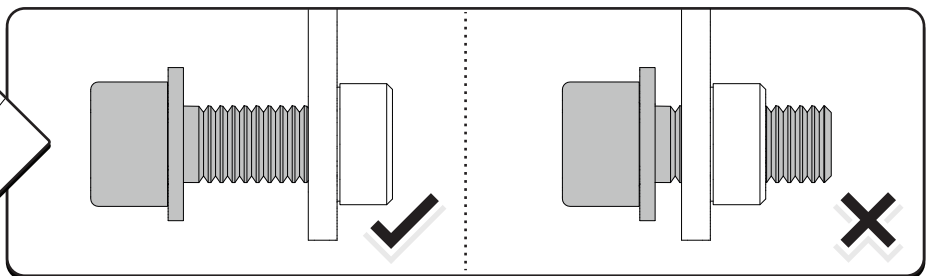
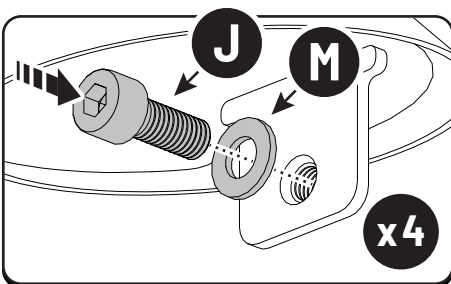
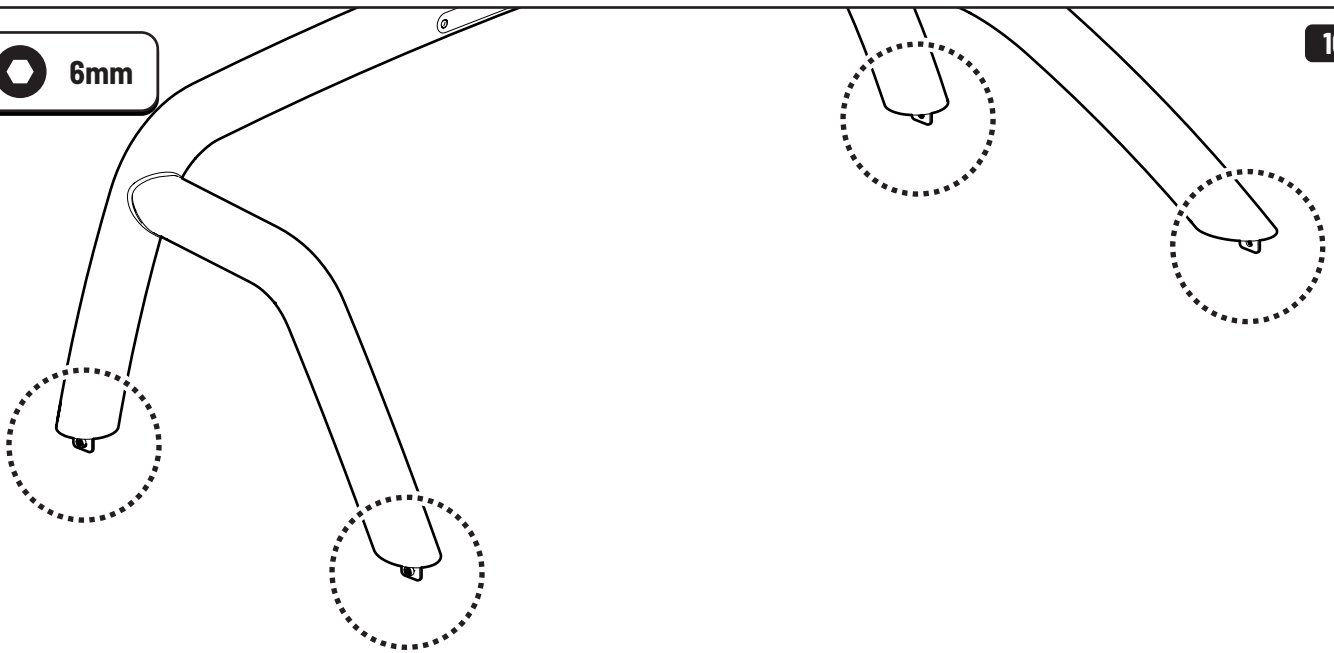
8

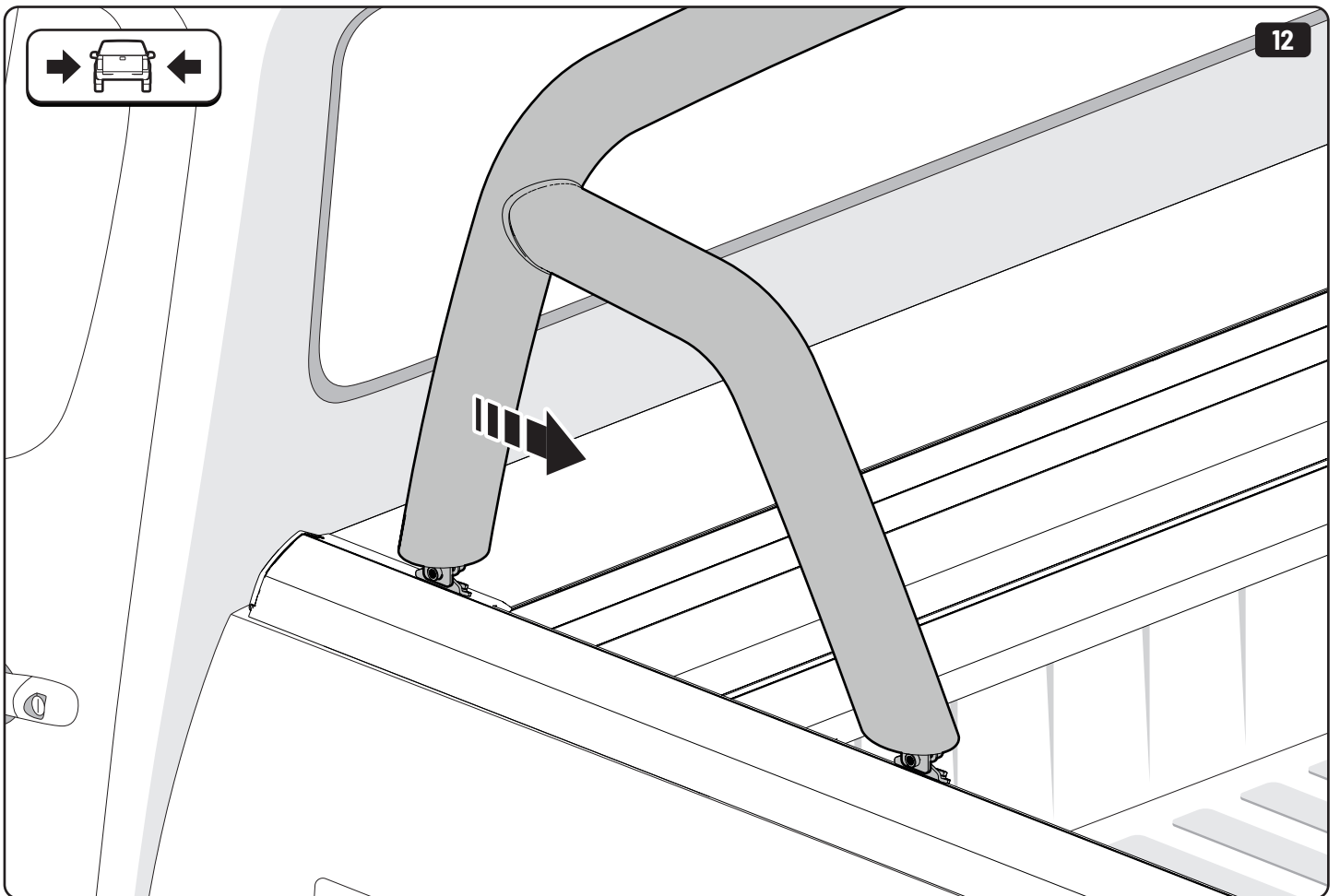
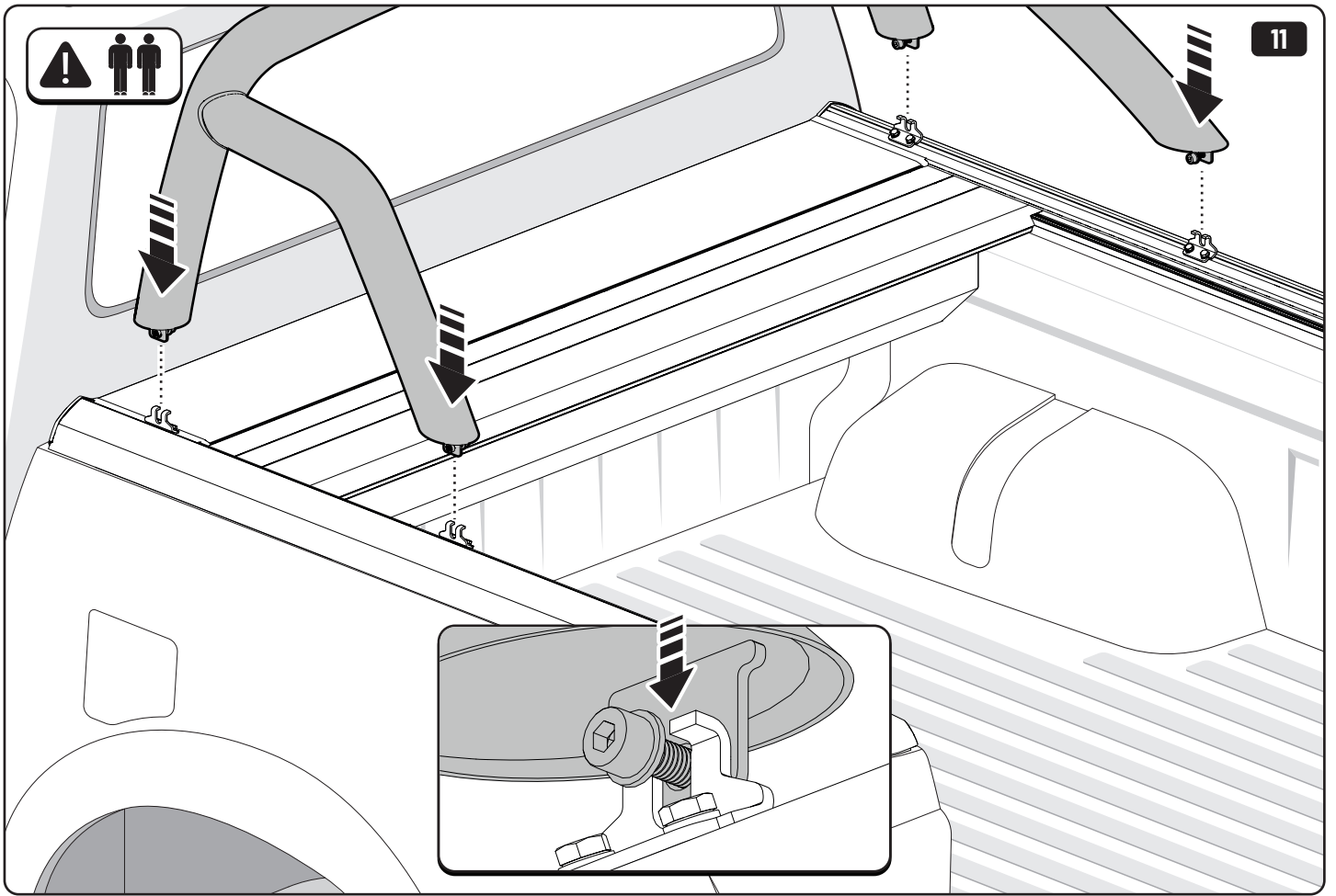


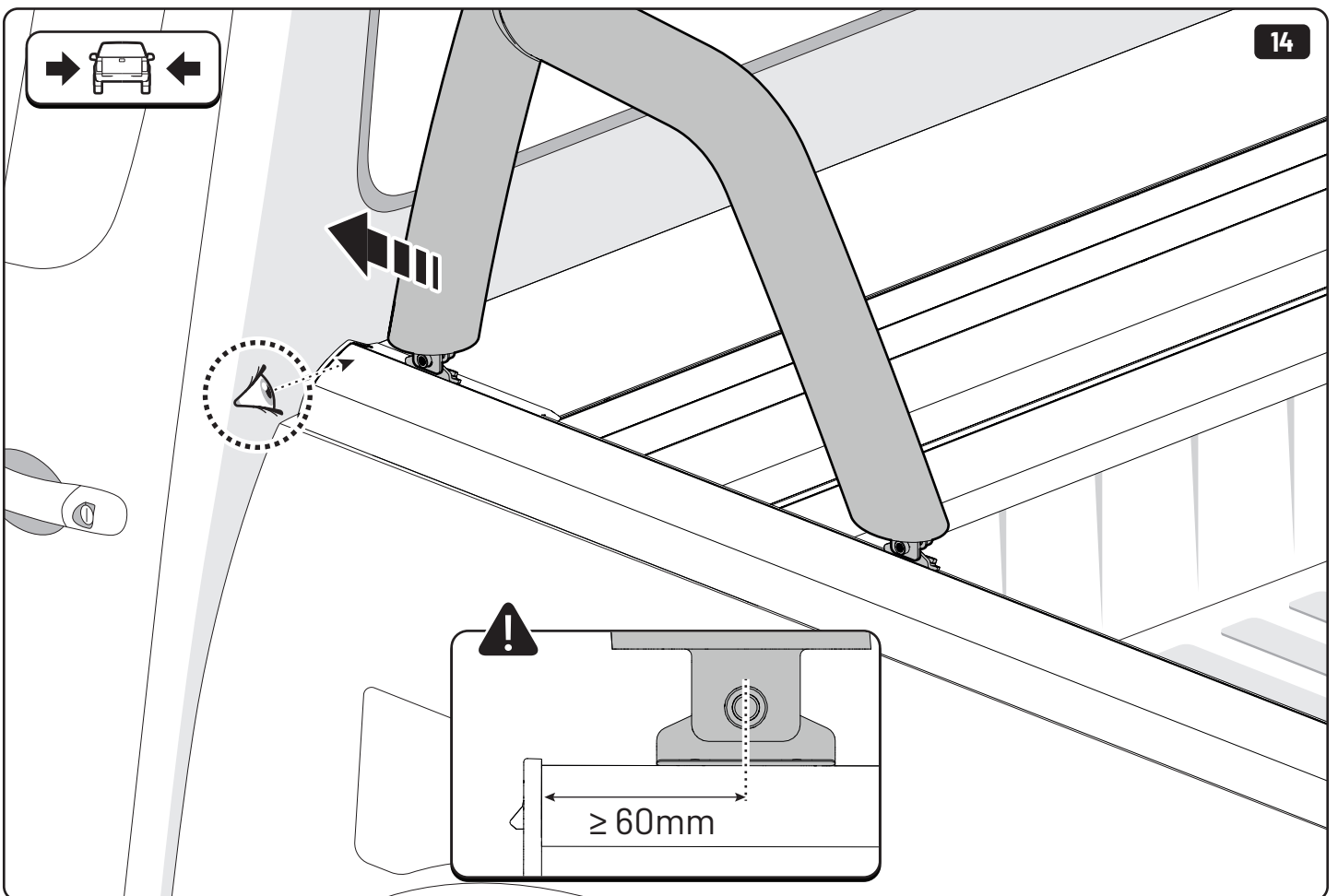
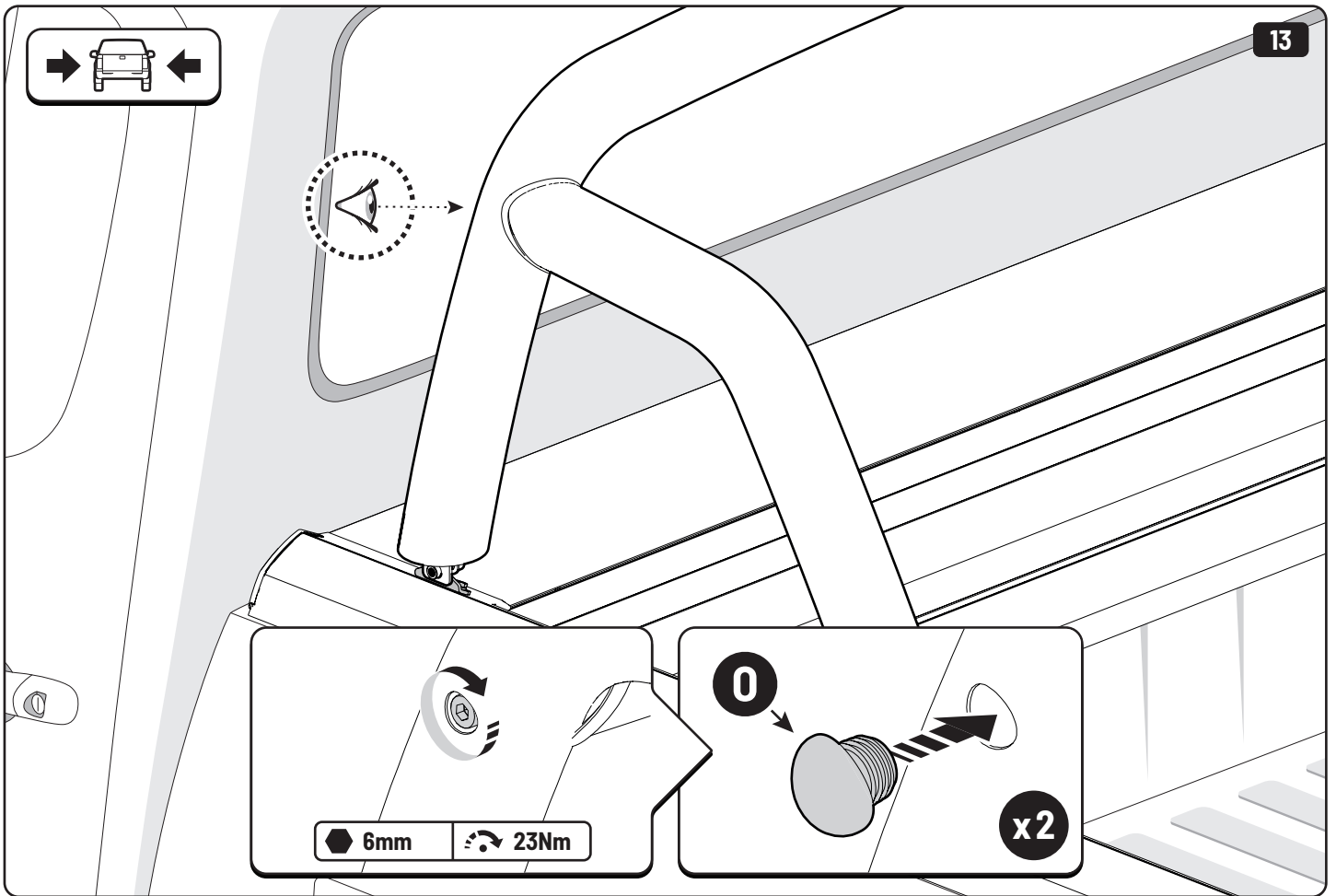
10mm

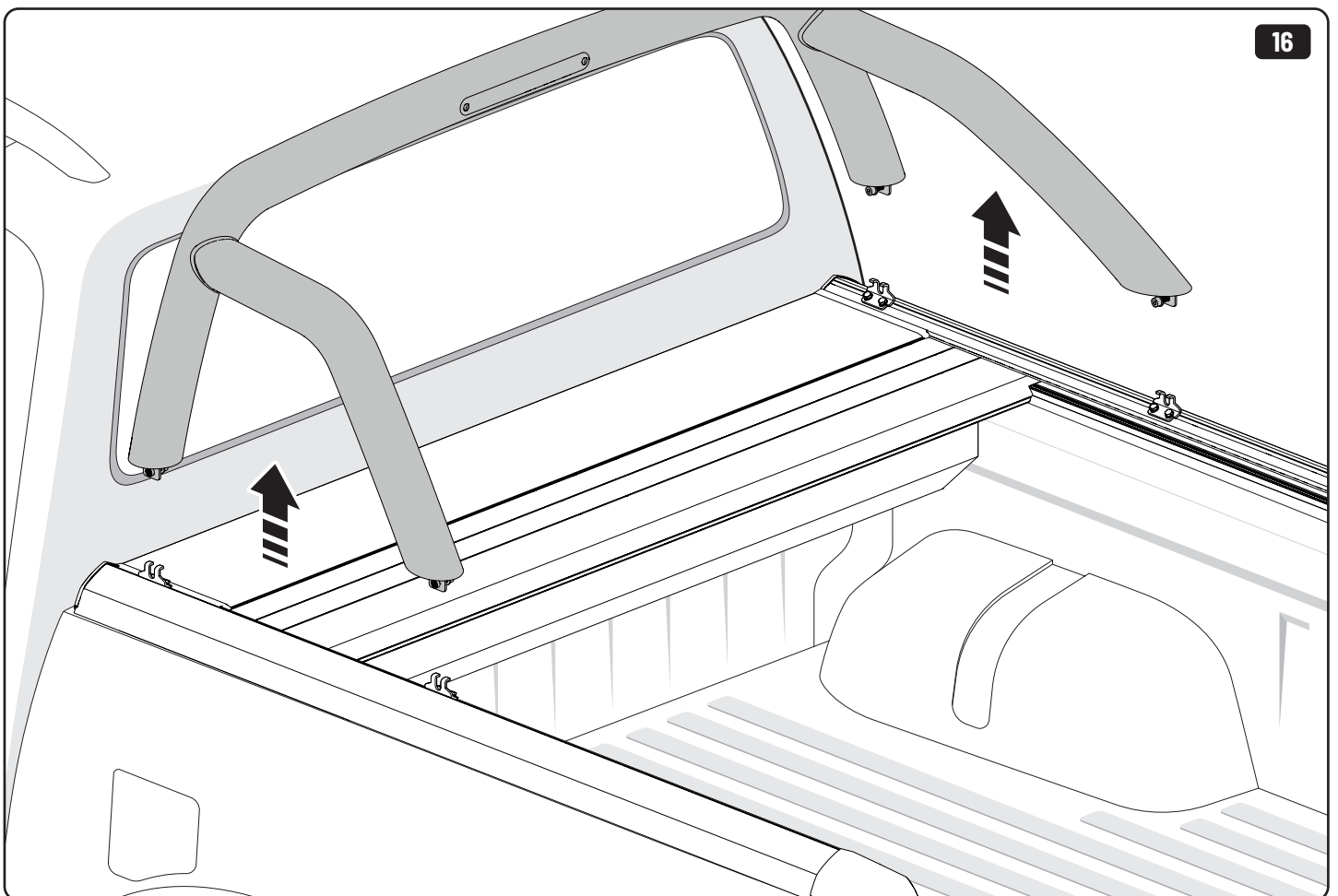
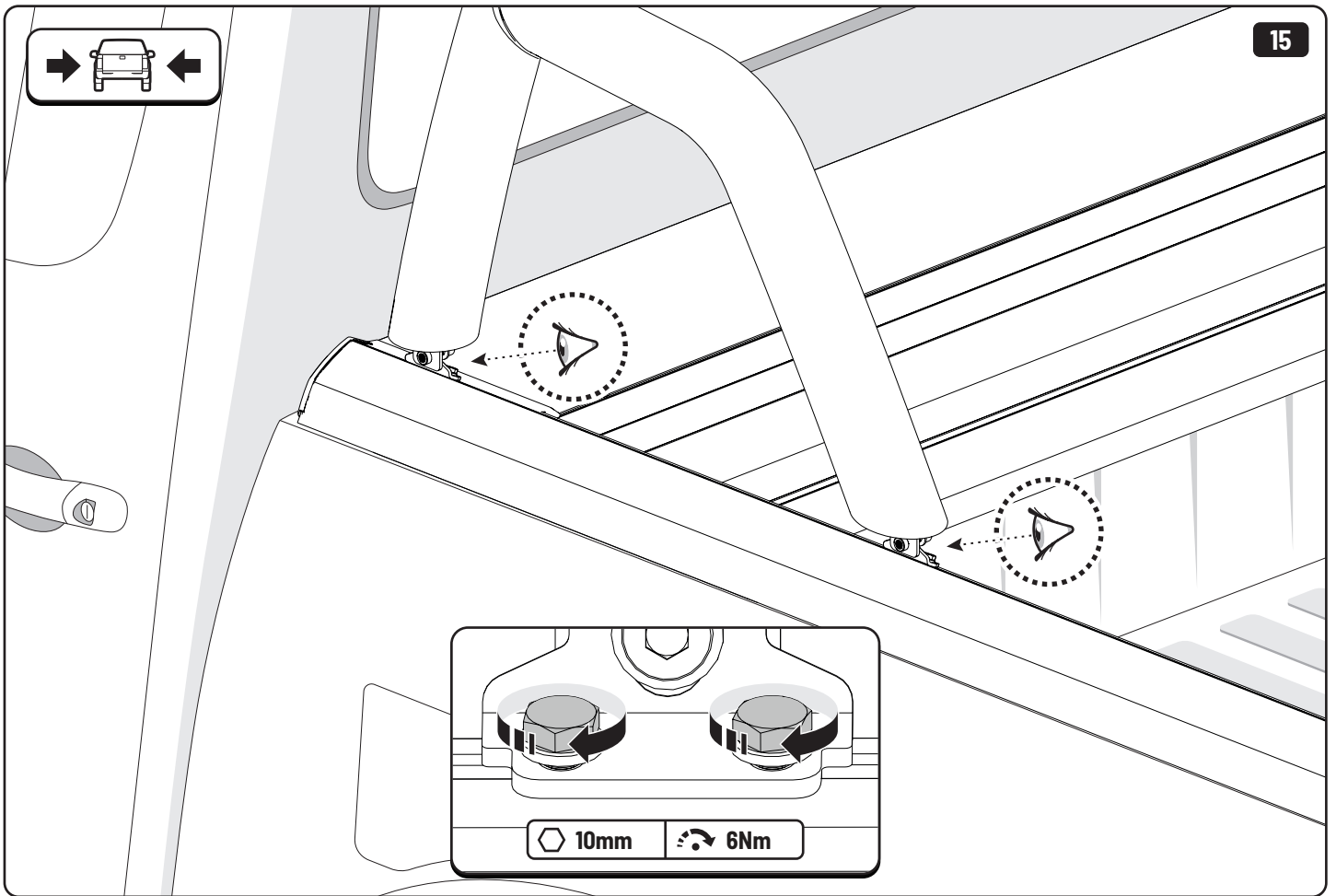


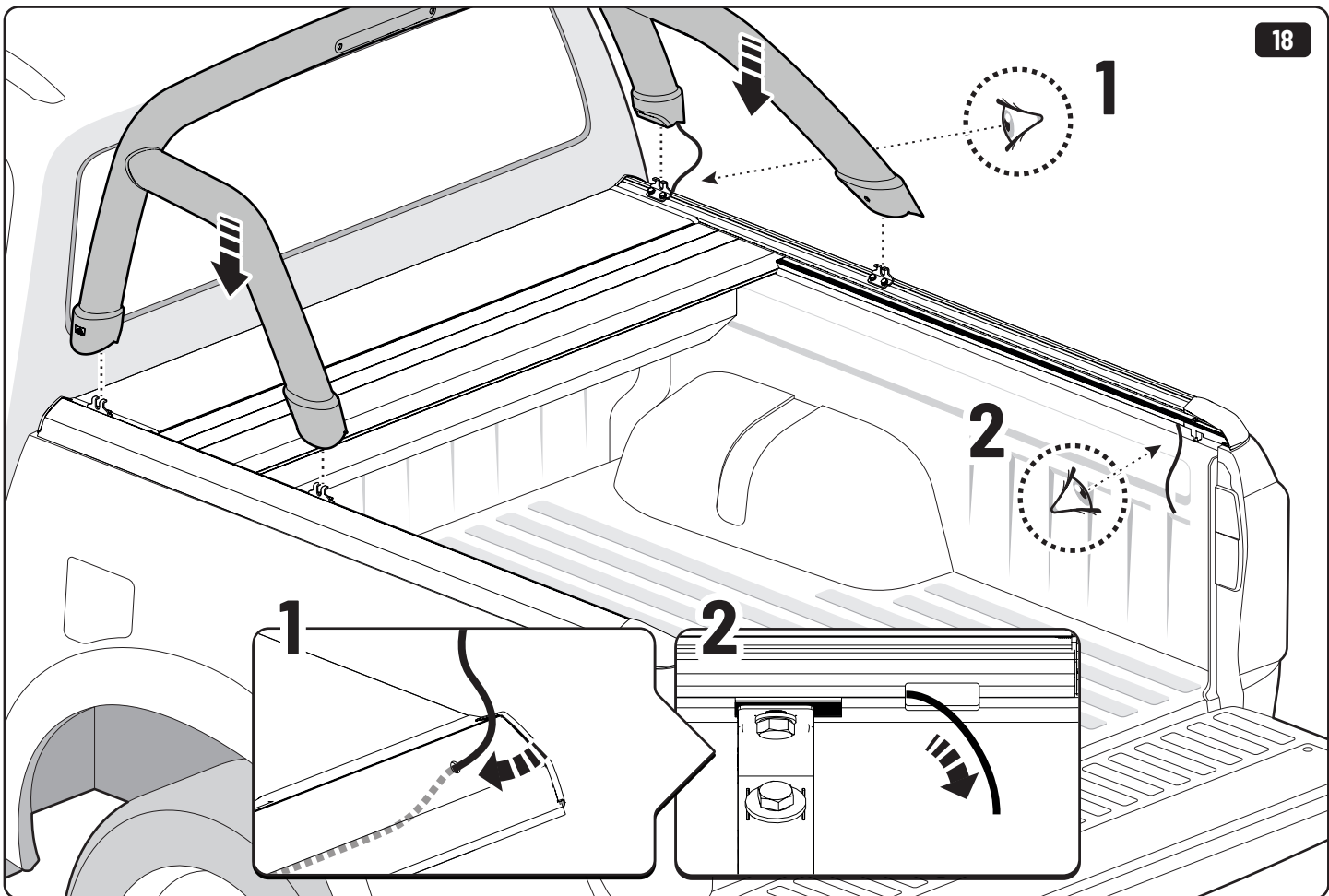
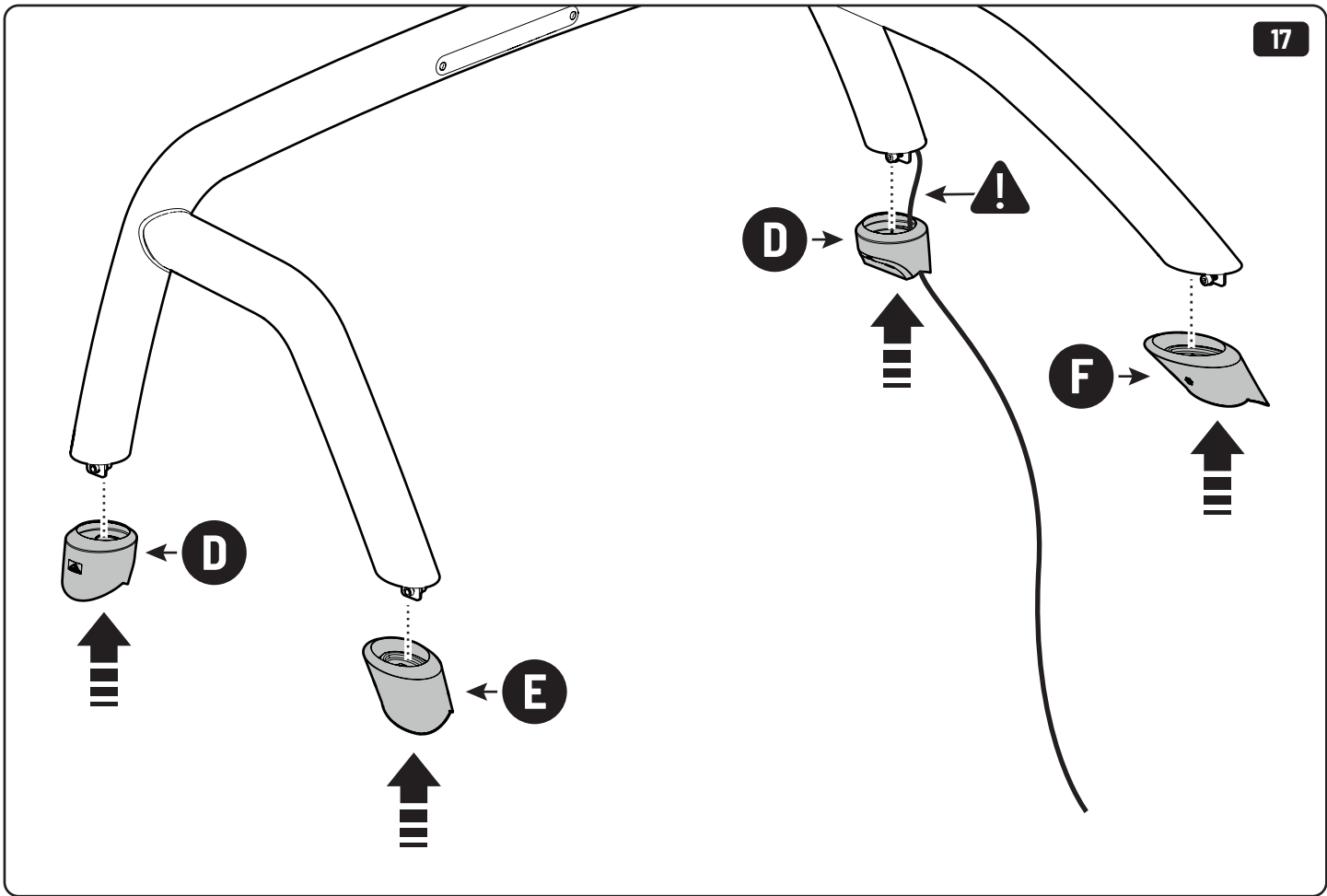
6mm

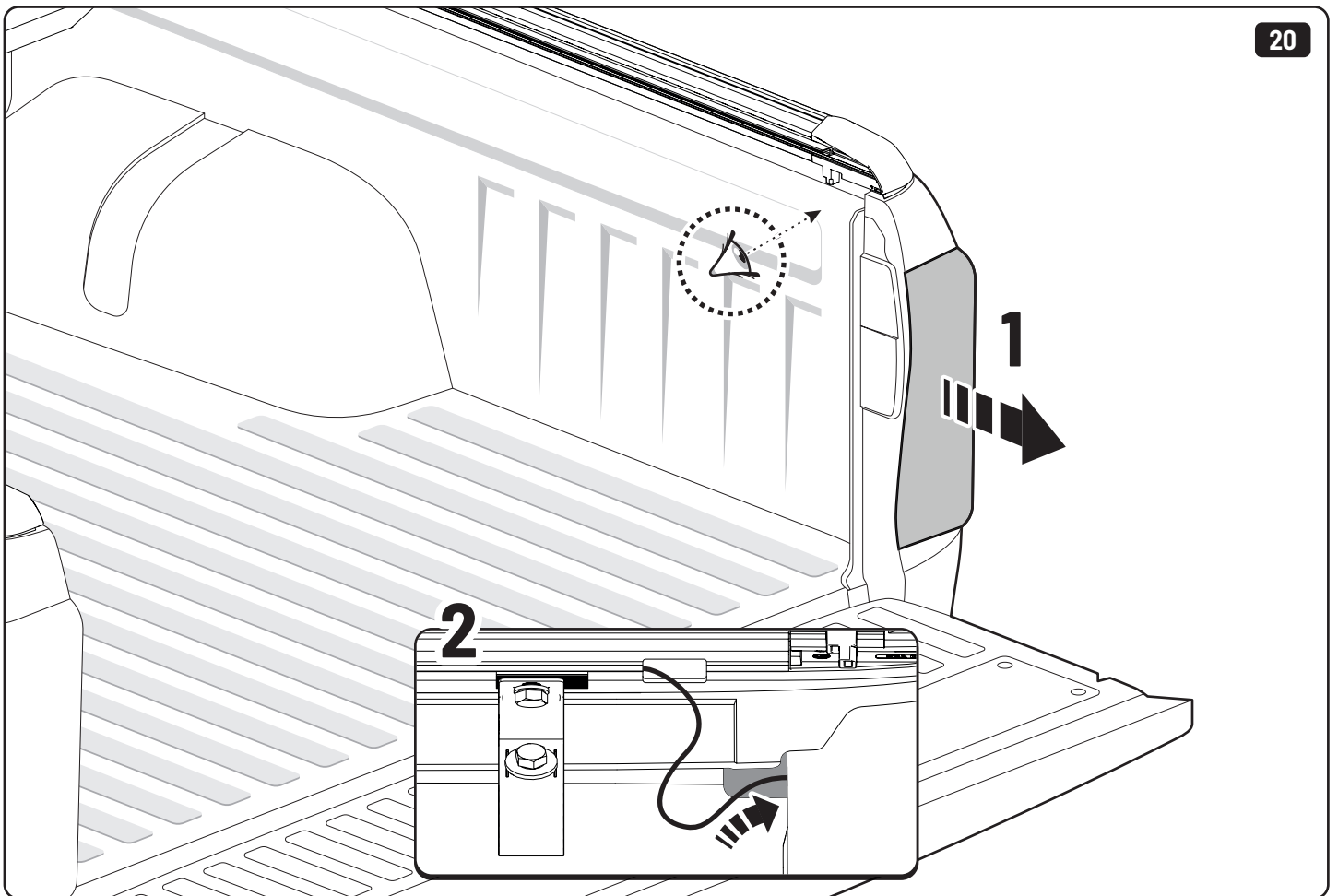
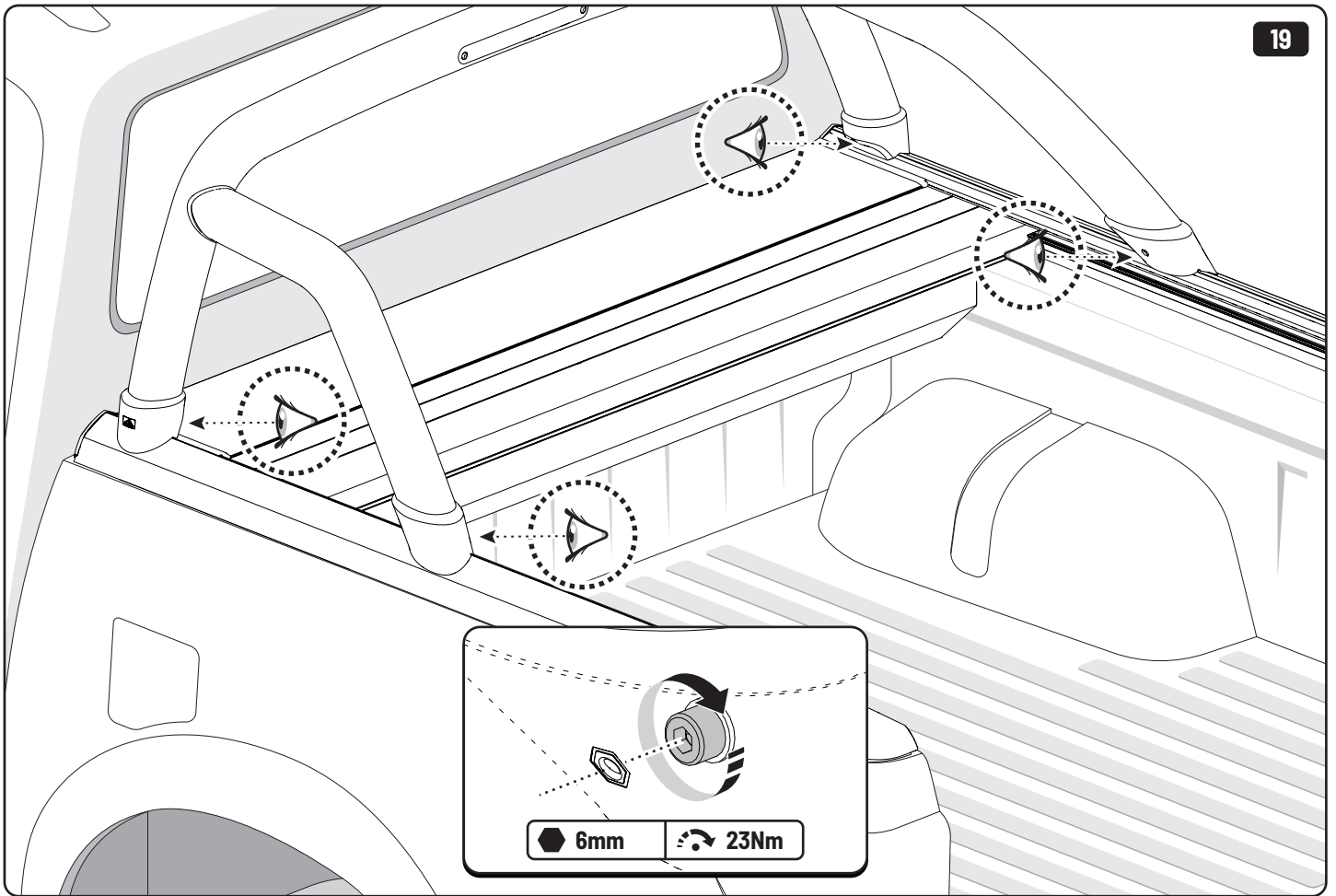


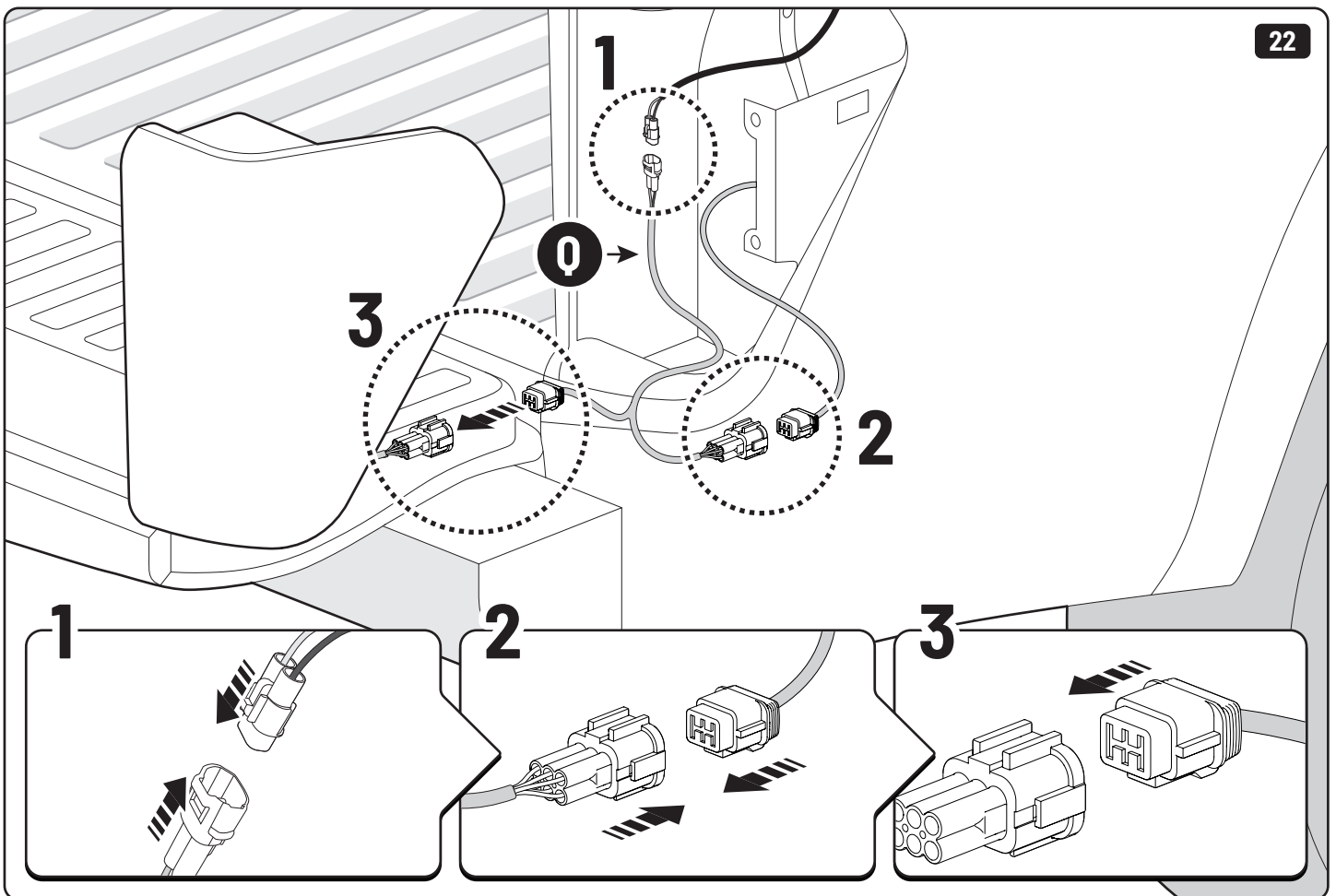
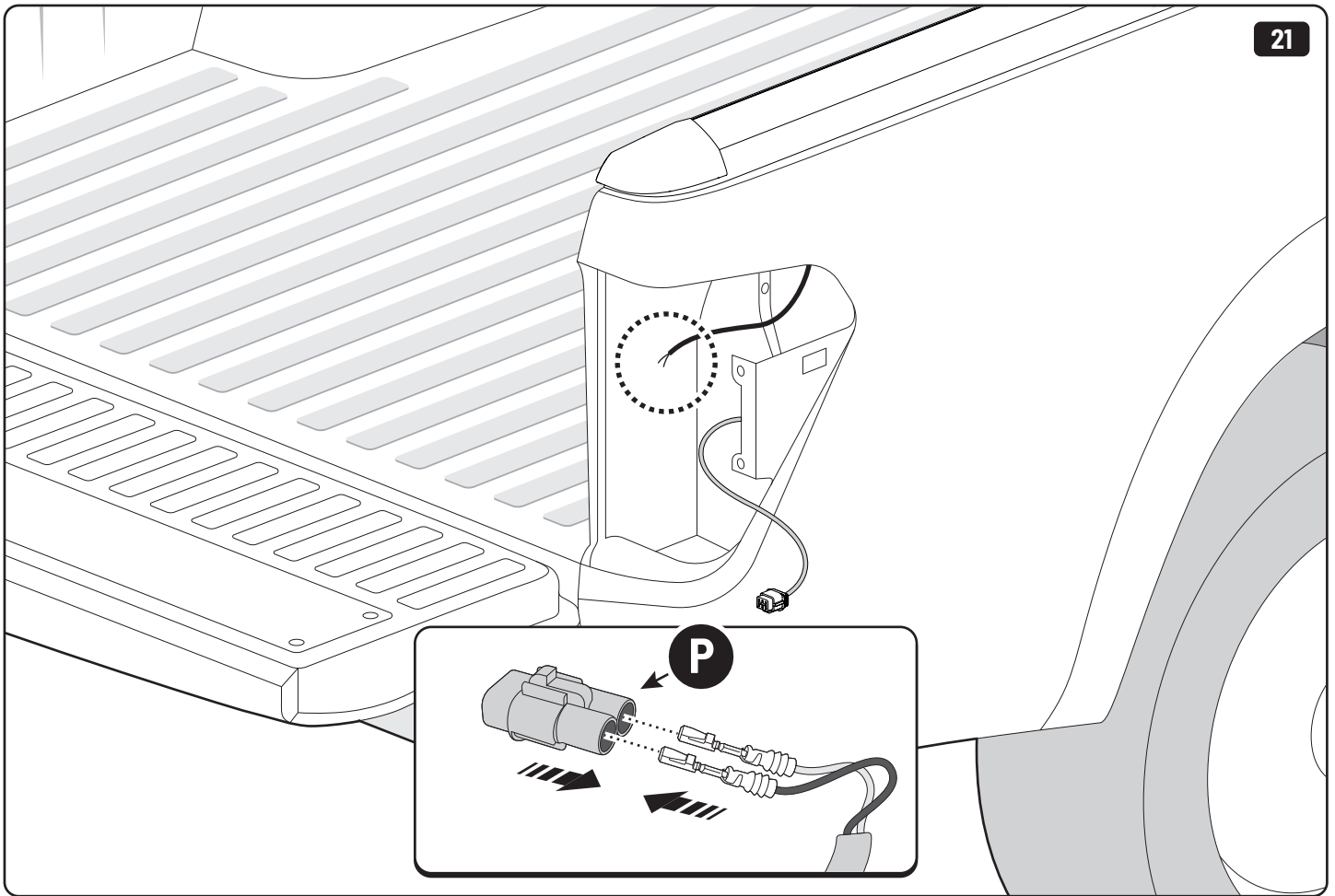


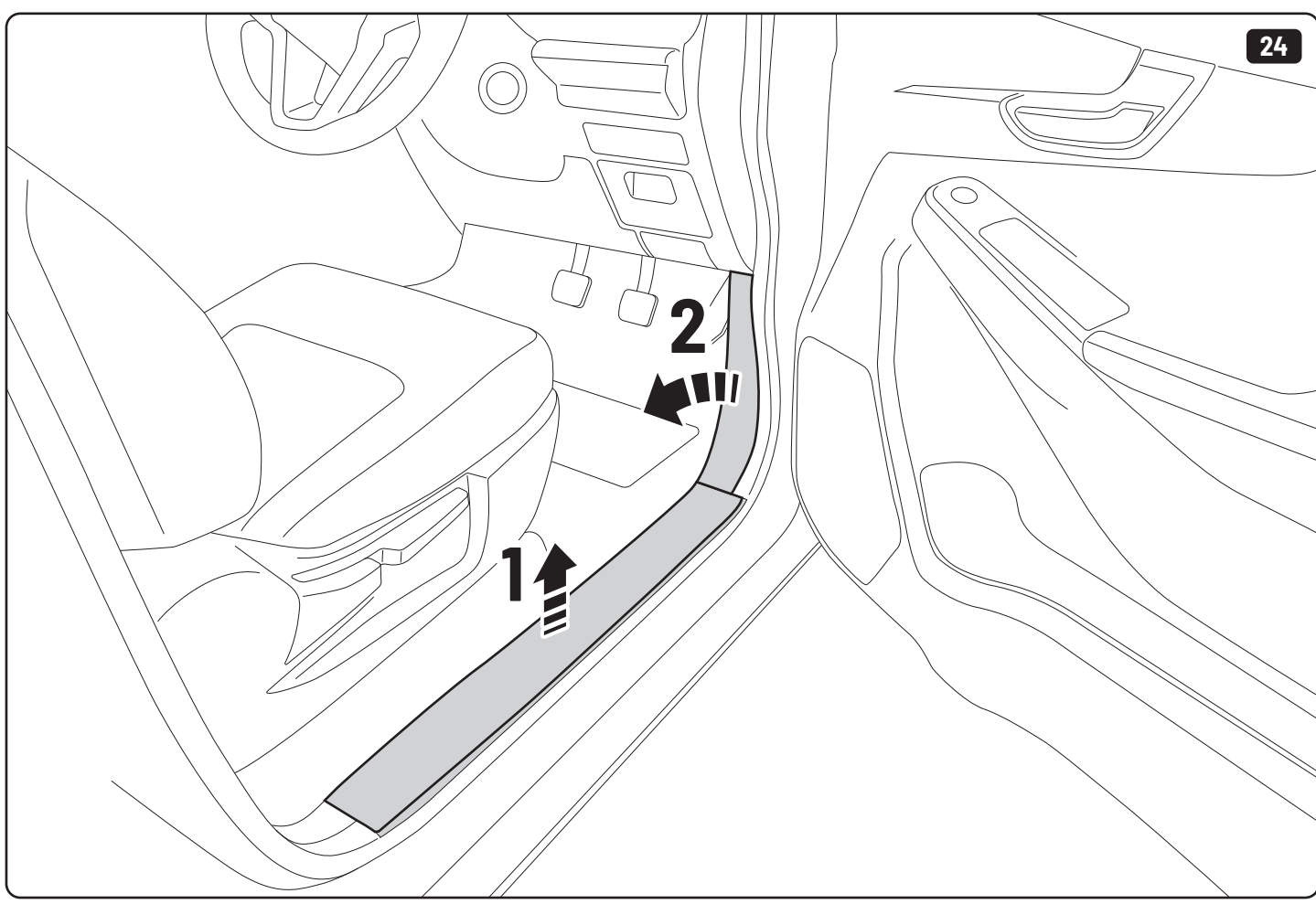
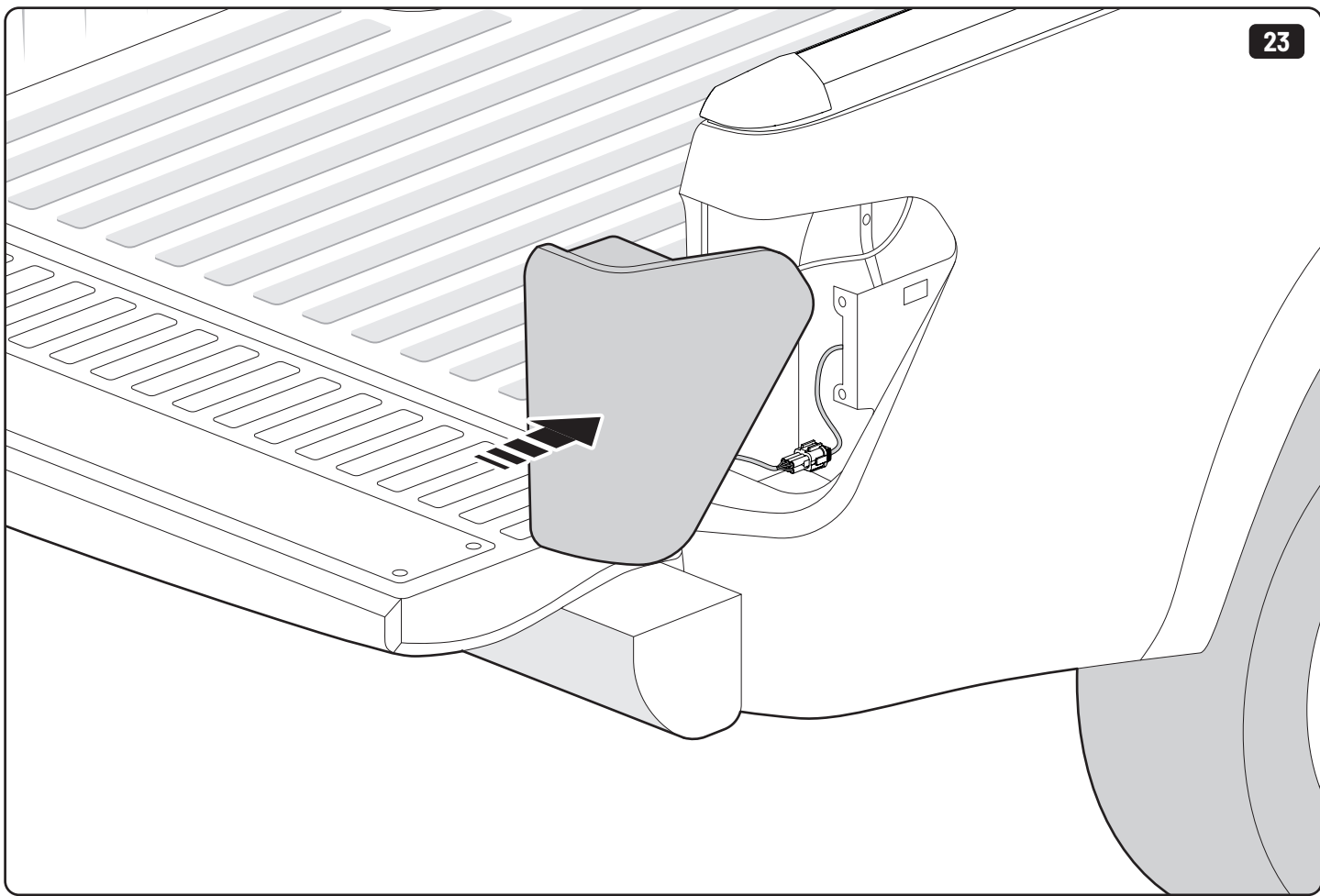


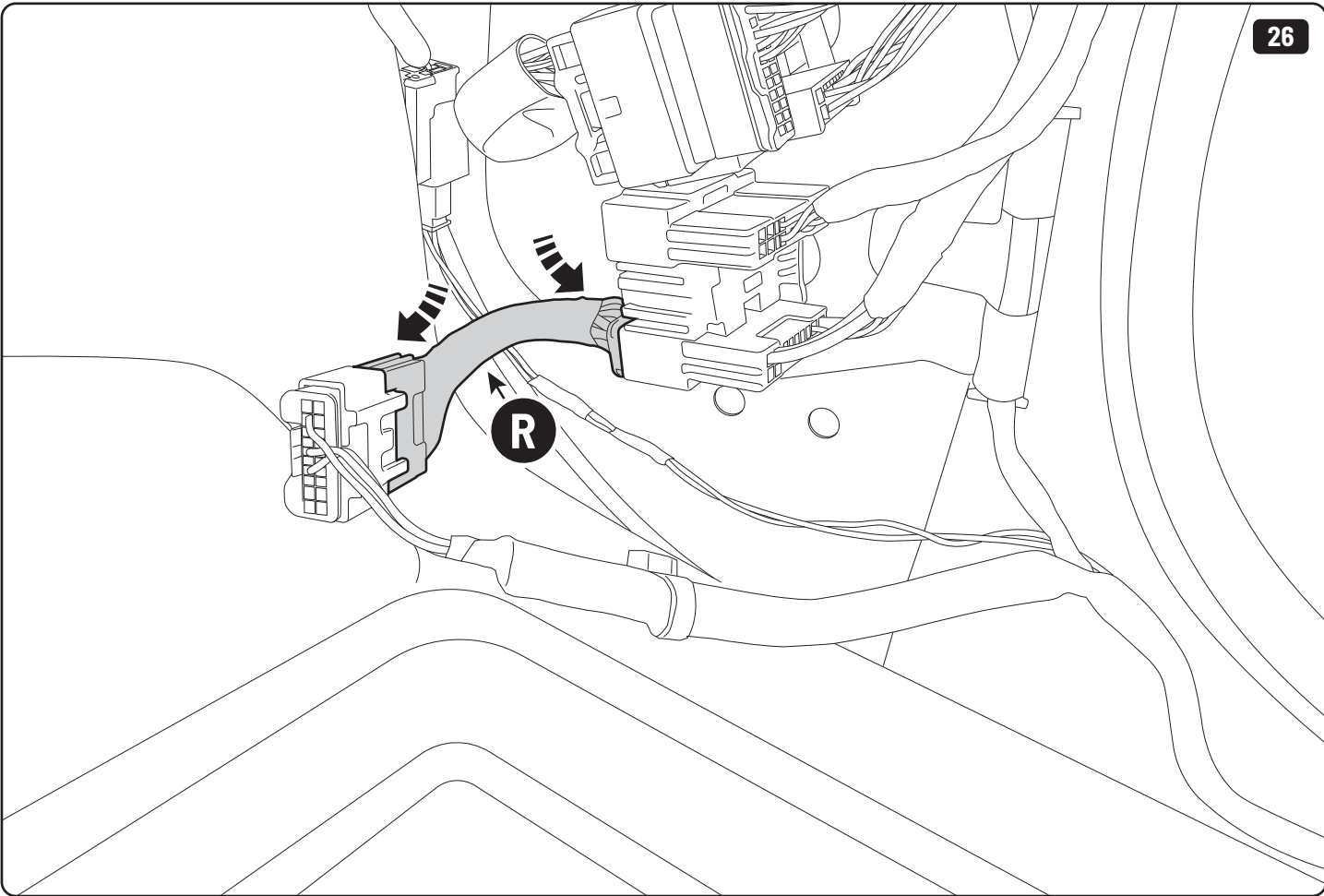
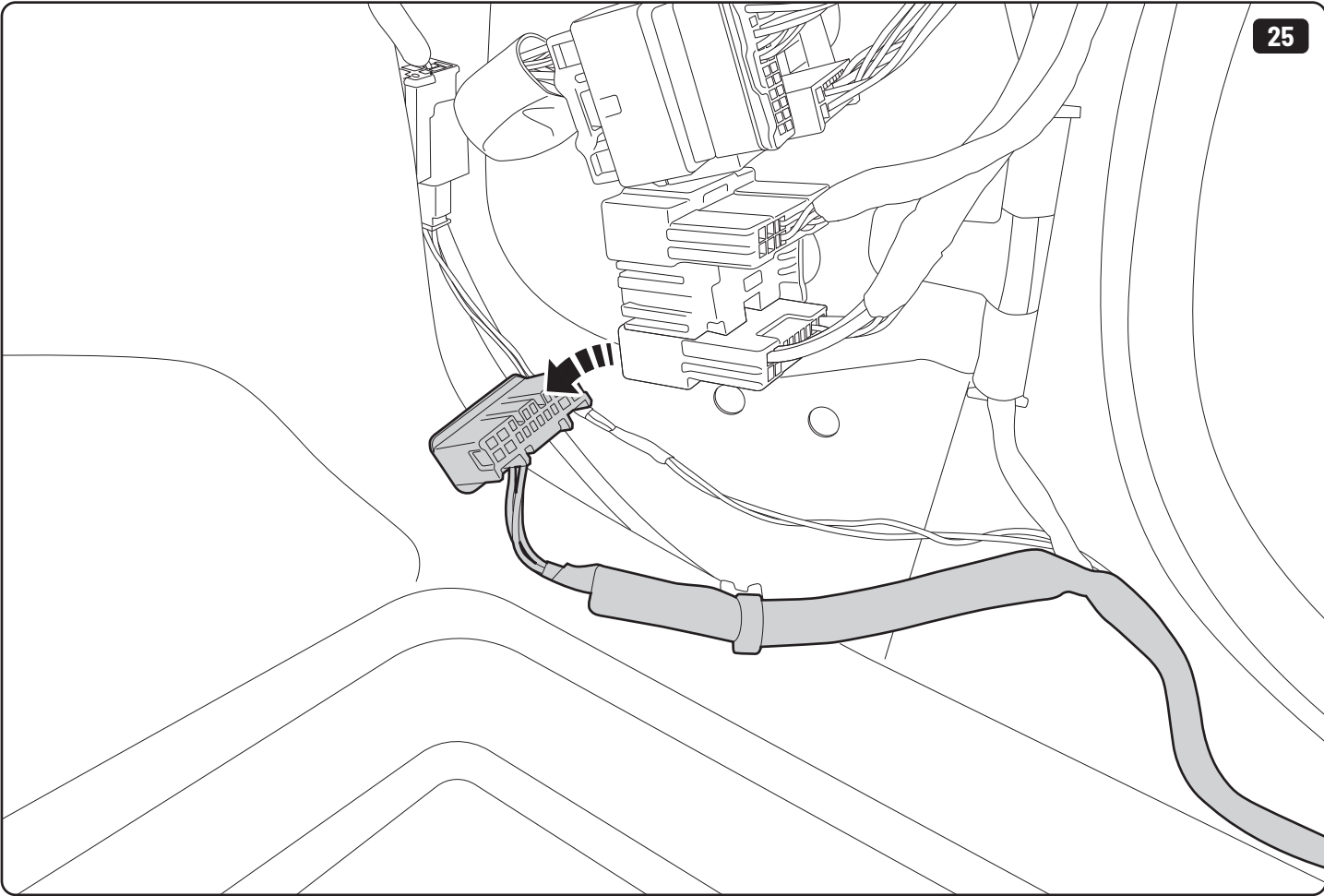


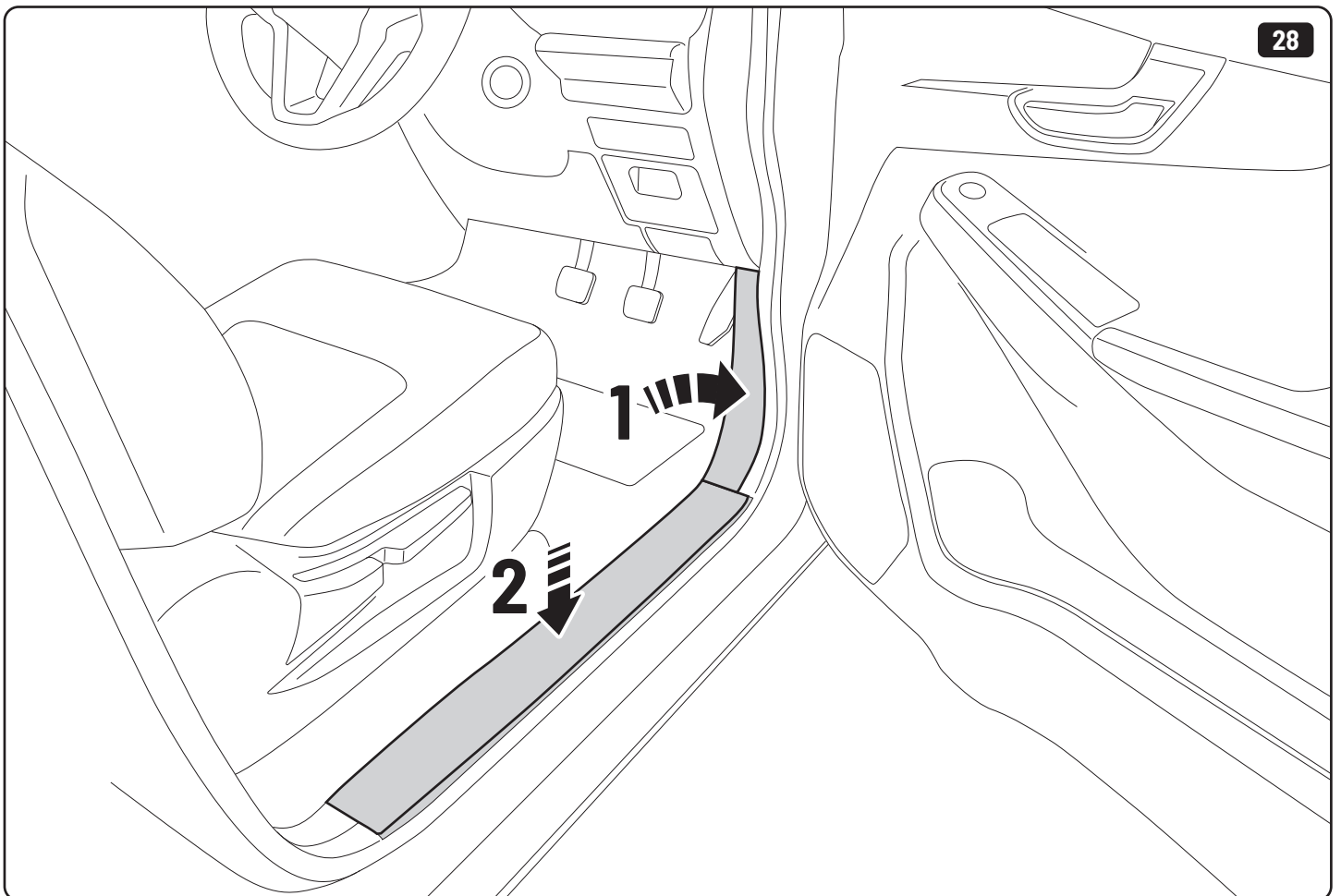
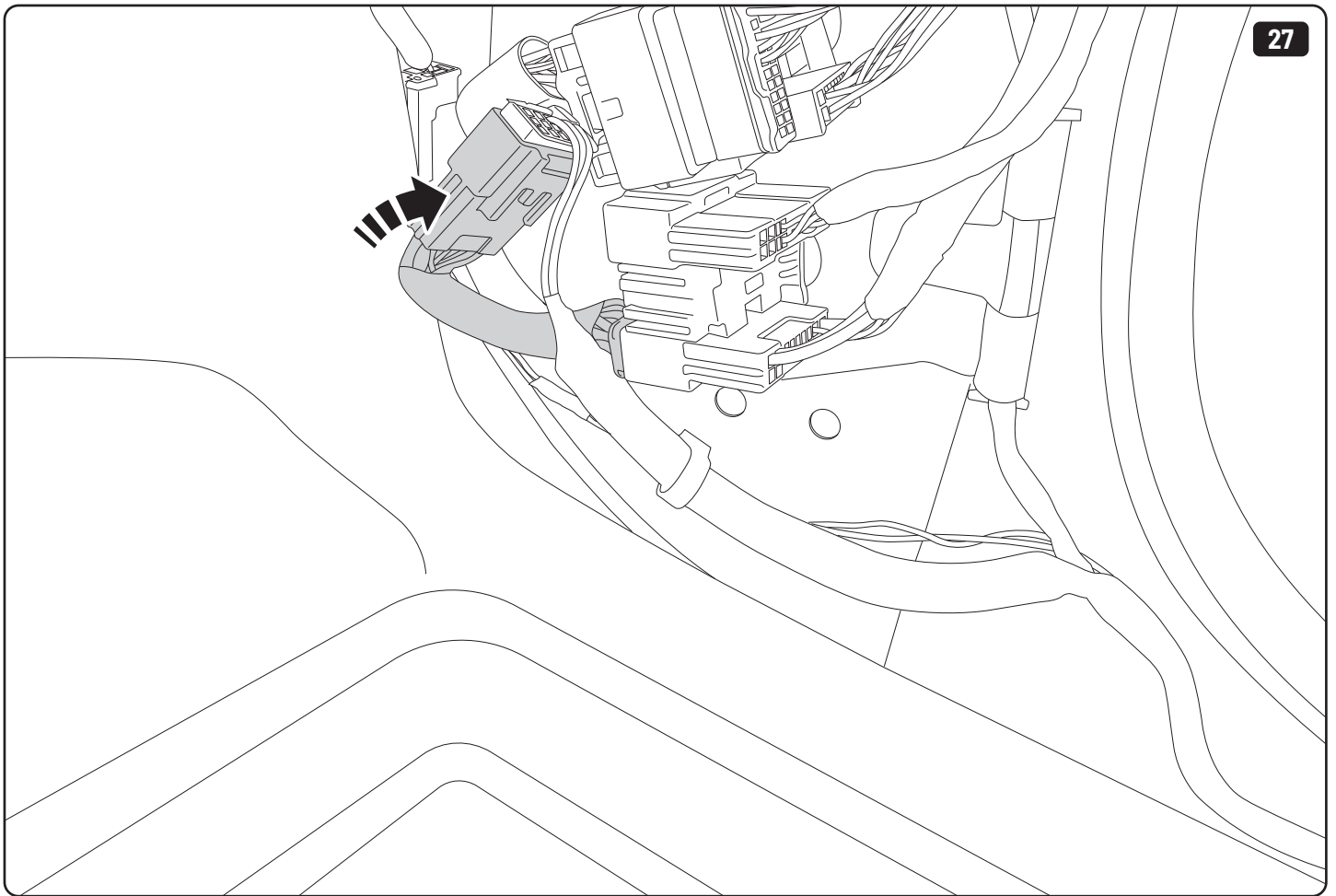














Customer Service +45 4810 2950 (08:00 - 16:00 CET)
Support info@mountaintop.dk
Website www.mountaintop.dk
Address Pedersholmparken 10, 3600 Frederikssund, Denmark

Part number (s)	Model / Year	Cab type (s)	Installation time	Weight
SBE IS10	Isuzu D-MAX / 2020 →	Double / Extra	1 hour	10 Kg
SB IS10	Isuzu D-MAX / 2020 →	Double / Extra	1 hour	10 Kg
SBE F090	Ford Ranger / 2011 →	Double / Extra	1 hour	10 Kg
SB F090	Ford Ranger / 2011 →	Double / Extra	1 hour	10 Kg

GB Installation manual	S Monteringsanvisning	D Einbauanleitung
SF Asennusohje	E Instrucciones de montaje	CZ Návod k instalaci
F Notice de montage	H Szerelési utasítás	I Istruzioni de montaggio
PL Instrukcja montażu	P Instruções de instalação	GR Οδηγίες Εγκατάστασης
NL Installatie-instructies	RUS Инструкция по установке	DK Monteringsvejledning
TR Montaj Talimatı	N Monteringsveiledning	RO Instructiuni de instalare