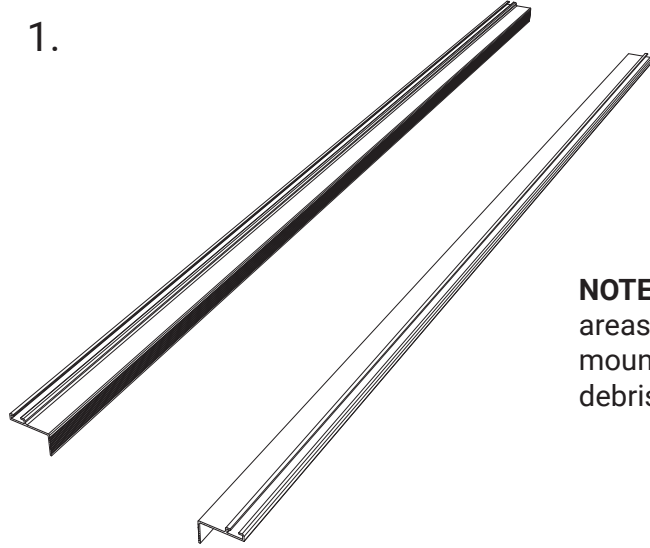


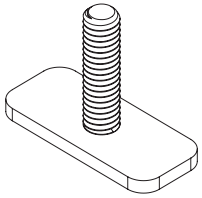
Components and Hardware:

1.

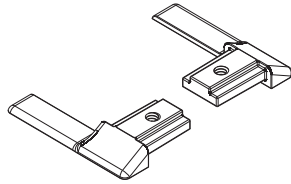


NOTE: It is important that all areas where the rail system mounts are clean and free of debris prior to installing.

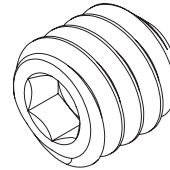
2.



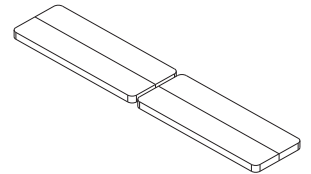
3.



4.



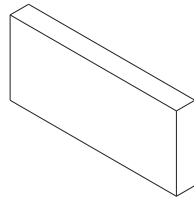
5.



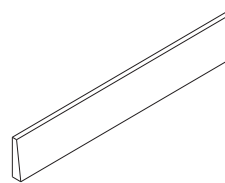
6.



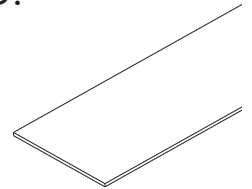
7.



8.



9.



Components and Hardware:

1. RealTruck Elevate TS Rails.....	(2)
2. T-bolts.....	(8)
3. End Plugs, Driver & Passenger.....	(4)
4. Set Screws, 1/4" - 20 x .25".....	(4)
5. Rail End Plug Seal Pack.....	(1)
6. Clamps.....	(6)
7. Shims.....	(8)
8. Wedge Seal, 17'.....	(1)
9. Seal, 1/32" x 1" x 2'.....	(1)

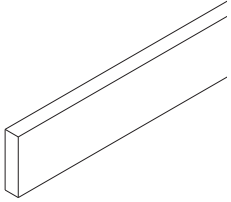
Tools for Installation:

- 1/8" Allen Key (Provided)
- 1/2" Wrench or Socket
- Scissors or Cutting Tool

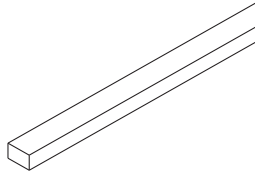
Part # 1118346

Components and Hardware:

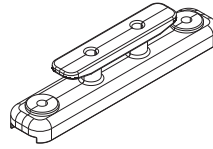
10.



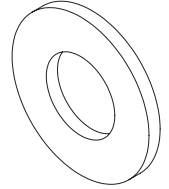
11.



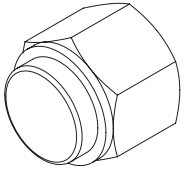
12.



13.



14.



Components and Hardware:

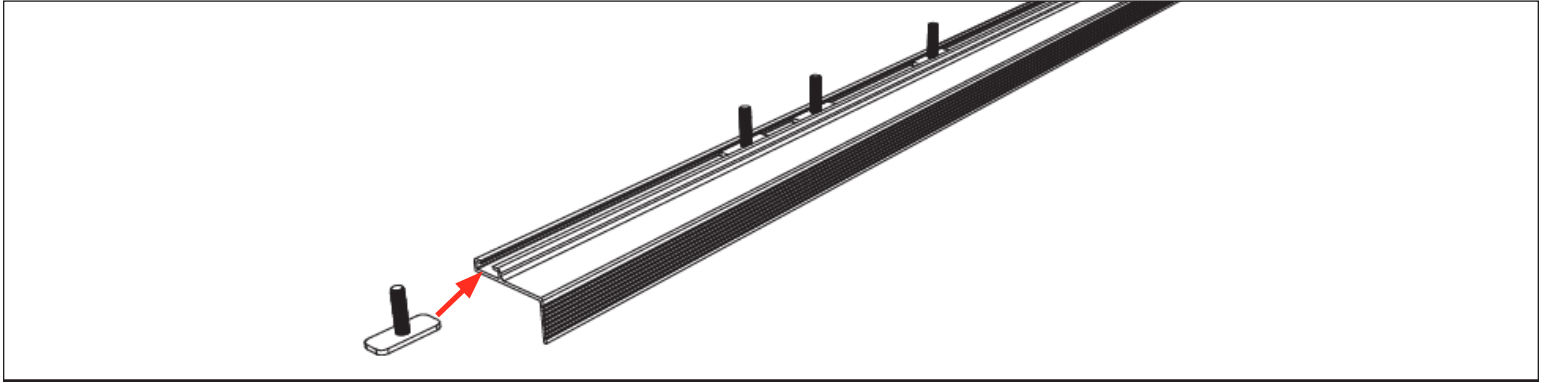
10. Seal, 1/4" x 1" x 2'	(1)
11. Seal, 3/16" x 5/16" x 17'	(1)
12. Tie-downs.....	(4)
13. Washers, 5/16"	(8)
14. Cap Nuts, 5/16" - 18	(8)

RealTruck Elevate TS Rails

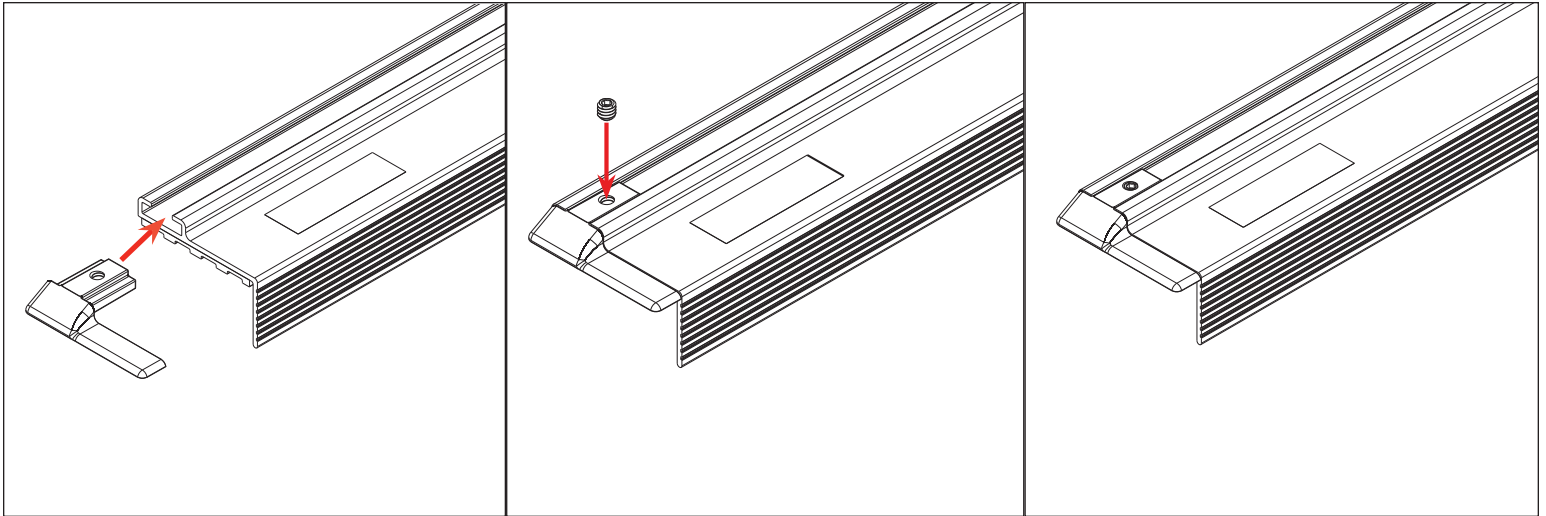
If a truck bed cover is already installed, remove the cover completely before beginning the RealTruck Elevate TS Rails installation. Then, follow the instructions below, paying special attention to 6A, 6B and 6C.

If installing tie-downs, additional accessories, or rack system

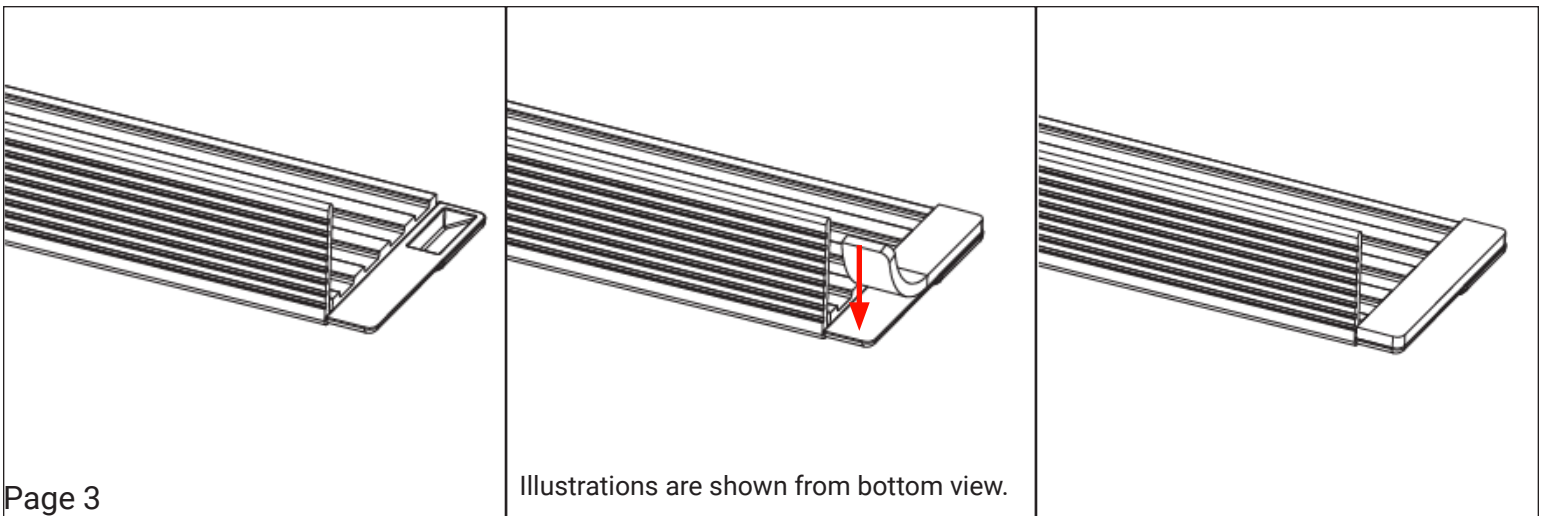
1. Install T-bolts (#2) by sliding them into the RealTruck Elevate TS Rails (#1). Do this for both driver and passenger rails.



2. With provided Set Screws (#4) and Allen Key, install front and rear End Plugs (#3) on both driver and passenger sides. **Do not overtighten.**

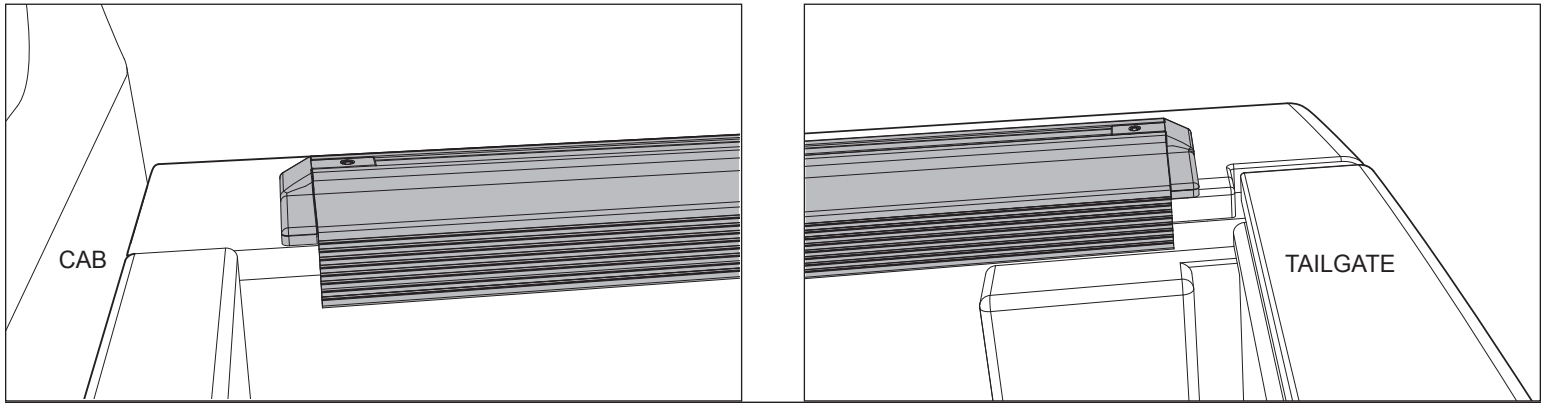


3. Install Rail End Plug Seals (#5) to the bottom side of all 4 End Plugs (#3).



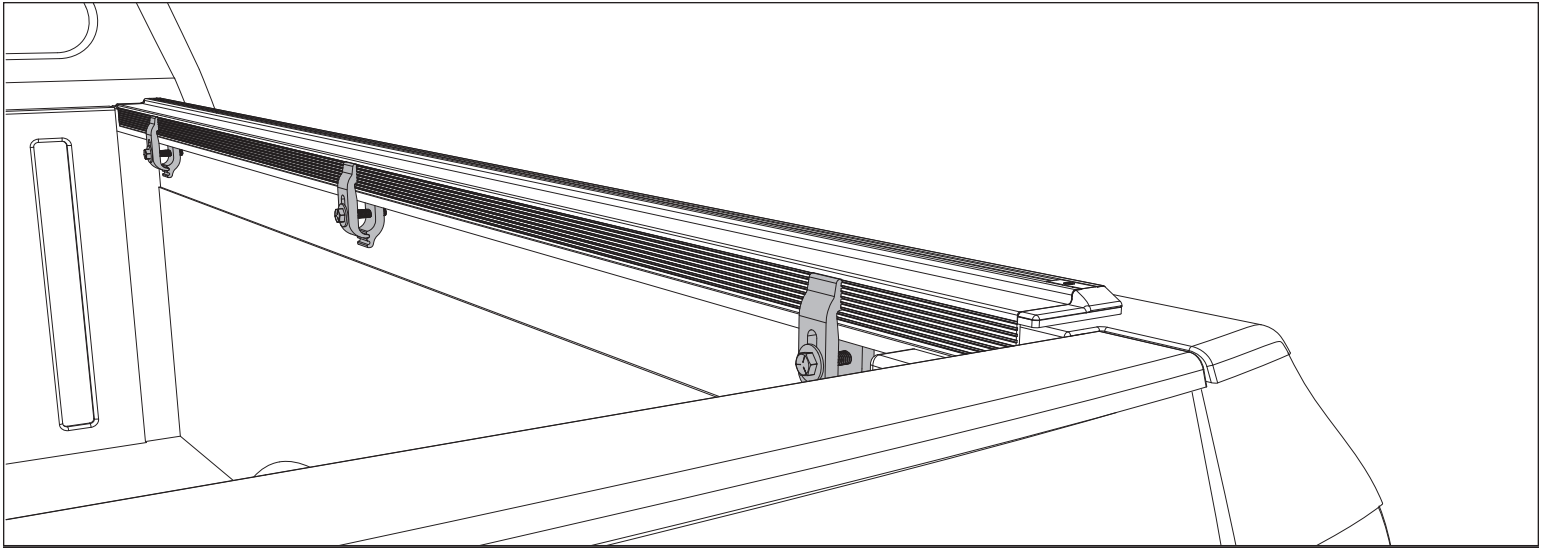
RealTruck Elevate TS Rails

4. Position RealTruck Elevate TS Rails (#1) onto pickup bed. Center the rails from front to back on the truck bed.

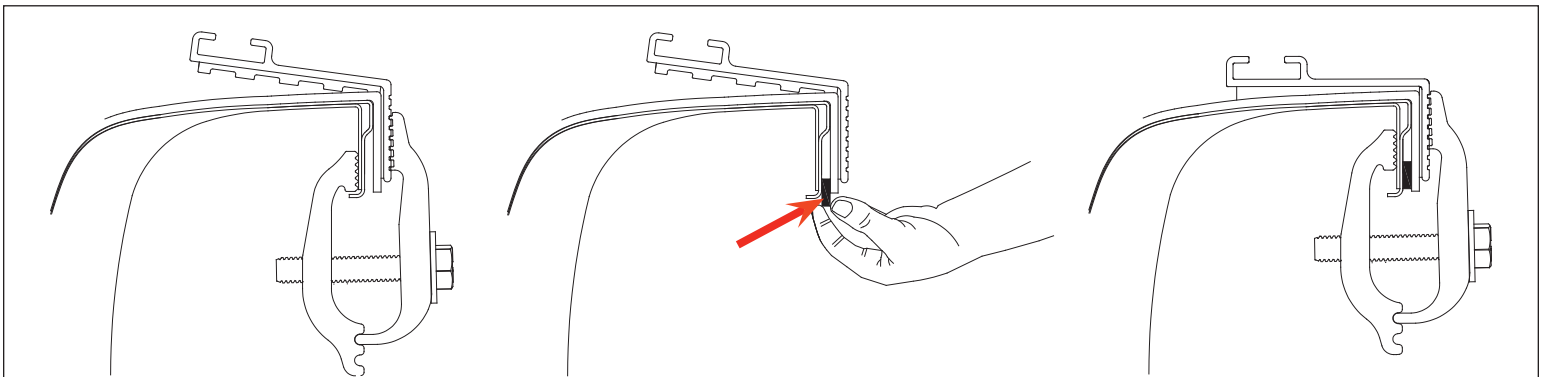


Steps 5A-5C - If NOT installing a truck bed cover.

5A. Install Clamps (#6) to finish mounting your RealTruck Elevate TS Rails (#1) to the truck bed. Start in the middle and evenly space 3 Clamps (#6) along the rails. You should leave approximately 8" on each end of the rail. Finger tighten the Clamps (#6), making sure the teeth properly engage with the grooves of the side rail. Then tighten all Clamps (#6) with a 1/2" Wrench or Socket.

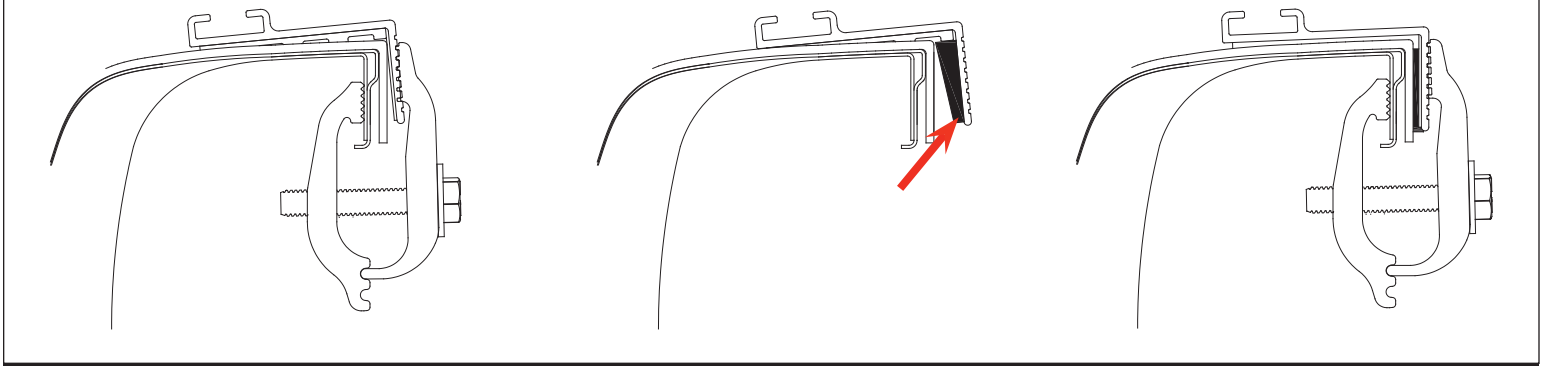


5B. If your RealTruck Elevate TS Rails (#1) **tip up** after installation, make sure your Clamps (#6) are as high up as possible; if they are, evenly install Shims (#7) on both rails.



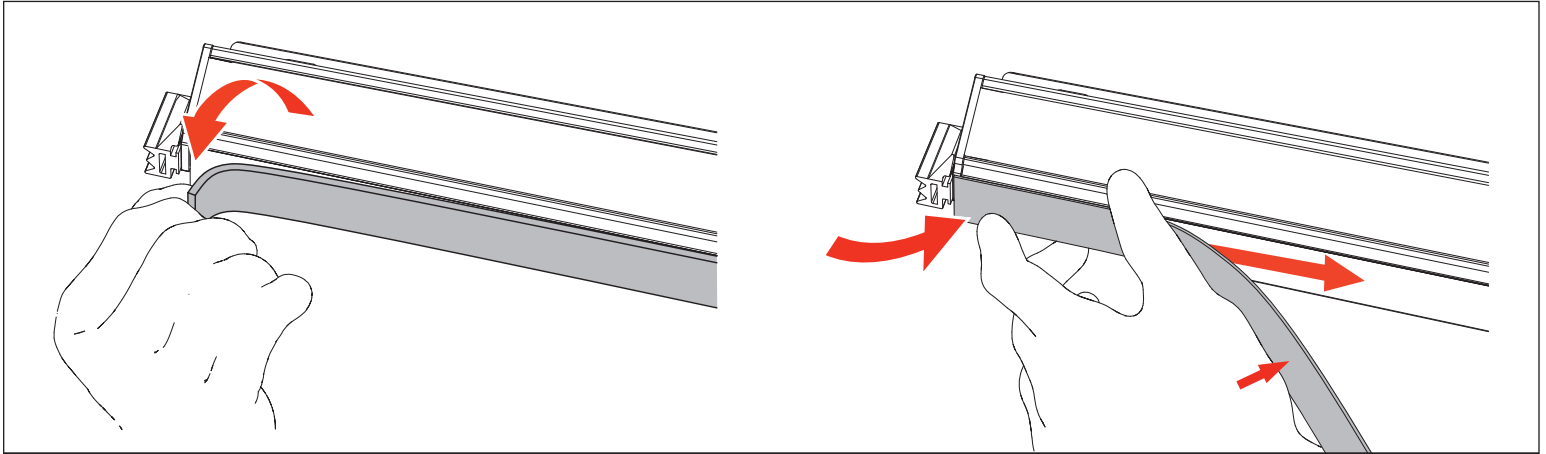
RealTruck Elevate TS Rails

5C. If your RealTruck Elevate TS Rails (#1) **tip down** after installation, install the Wedge Seal (#8) onto the pre-installed seal that comes on the RealTruck Elevate TS Rails (#1). **This is the end of the rail installation when NOT installing a truck bed cover.**

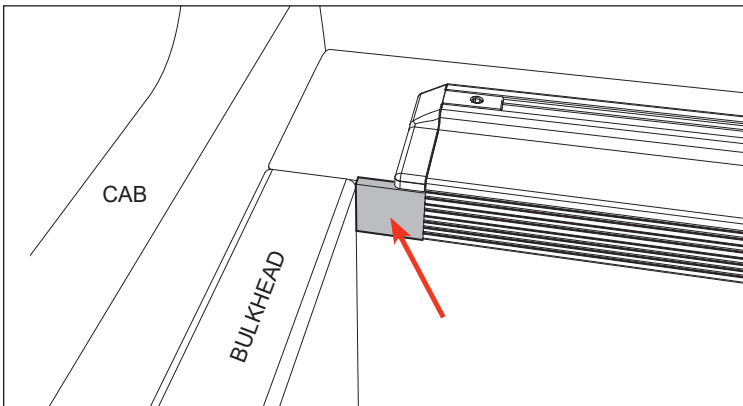


Steps 6A-6C - If installing WITH a truck bed cover.

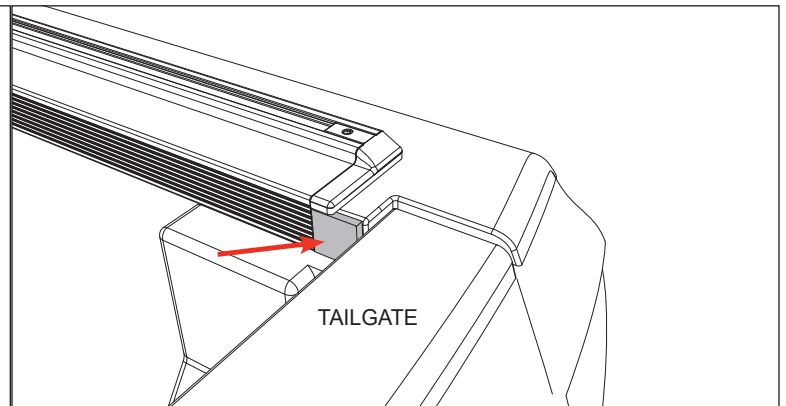
6A. Before mounting your truck bed cover with RealTruck Elevate TS Rails (#1), you will need to use some of the seals provided to fill in gaps where needed. Remove the existing weather seal from your truck bed cover rails and replace with Seal (#9) provided.



6B. Install a piece of Seal (#10) to the inside of the truck bed flange on both driver and passenger truck bed rails.



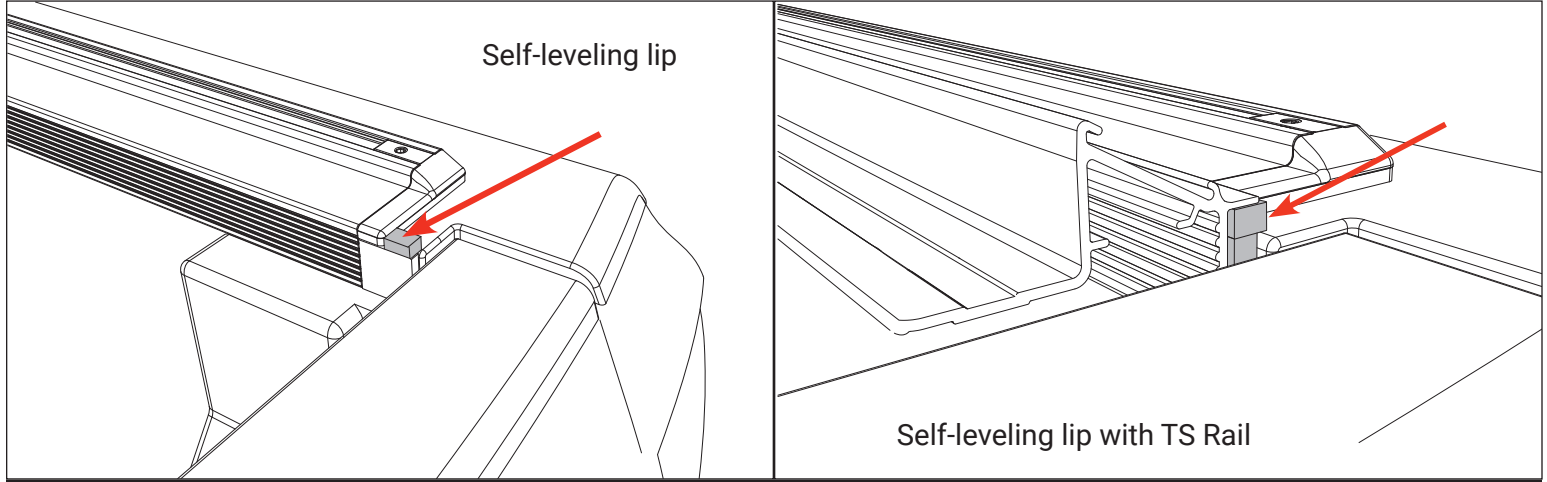
Lay the Seal (#10) starting at the edge of the TS Rail (#1). Trim the Seal (#10) flush with the truck's bulkhead. When installed correctly the seal will lay flat and not wrap around the corner. The length of this seal will vary by the truck model.



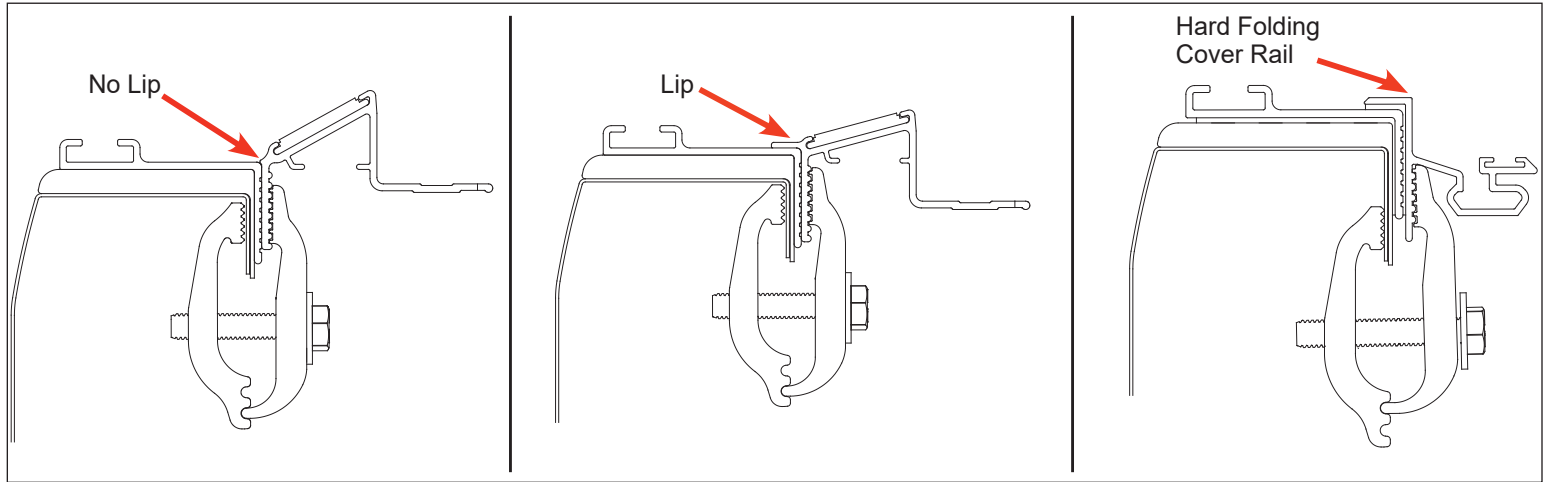
Lay the Seal (#10) starting at the edge of the TS Rail (#1). Trim the Seal (#10) flush with the truck's tailgate. When installed correctly the seal will lay flat and not wrap around the corner. The length of this seal will vary by the truck model.

RealTruck Elevate TS Rails

6C. If your truck bed rail has a self-leveling lip on it, install a piece of Seal (#11) to the top of the bed rails. Lay the Seal (#11) starting at the End Plug (#3) of the truck bed cover rail. Trim the Seal (#11) flush with the end of the truck bed cover rail assembly. The length of this Seal (#11) will vary by the truck model. When installed correctly the seal will lay flat.

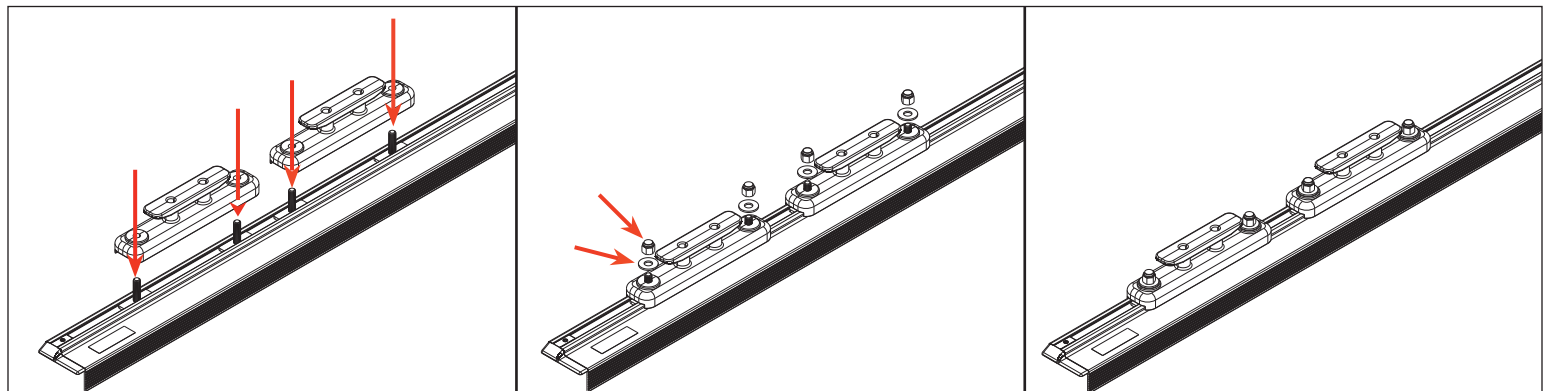


Examples of different truck bed cover rails with RealTruck Elevate TS Rails



If installing tie-downs, additional accessories, or rack system

7. Complete the installation by installing Tie-downs (#12) with Washer (#13) and Cap Nuts (#14). The Tie-downs (#12) can be positioned according to a preferred location. Tighten to 7-10 FT-Lbs 10.5-13.5 NM.



RealTruck Elevate TS Rails

SYSTEM GUIDELINES FOR REALTRUCK ELEVATE TS RAILS

- Review all instructions, guidelines, and warranty information before installing or using RealTruck Elevate TS Rails.
- Check state and local laws for compliance with oversized loads.
- Adapt speed and care of the vehicle to the load being carried.
- Be conscious of load weight, a high center of gravity is a rollover risk.
- All loads change the vehicle's driving behavior and responsiveness.
- Do not use RealTruck Elevate TS Rails for anything other than its intended purpose.
- Do not exceed the maximum load capacity (load capacity does change by terrain).
- Do not drive without the rails properly installed and fasteners torqued to specification.
- Know the overall height of every load. Be vigilant of low clearances.
- RealTruck Elevate TS Rails works with most inside mount truck bed covers.
- RealTruck Elevate TS Rails do NOT increase the load rating of the vehicle.

REALTRUCK ELEVATE TS RAILS LOAD RATING

The RealTruck Elevate TS Rails are rated for 750 lbs. static weight capacity (max. load in a fixed or stationary position), 500 lbs. on-road weight capacity and 250 lbs. off-road weight capacity.